

Refrigerator
Kühlschrank
Réfrigérateur

Холодильник
Ψυγείο
Хладилник

Køleskab
Frigorífico
يخچال
Jääkaappi
Kylskåp

KQD 1360X

KQD 1360E

KQD 1360 X A+

KQD 1360 E A+

KQD 1360 X A++

Bedienungsanleitung
Operating instructions

Blomberg

Please read this manual first!

Dear Customer,

We hope that your product, which has been produced in modern plants and checked under the most meticulous quality control procedures, will provide you an effective service.

For this, we recommend you to carefully read the entire manual of your product before using it and keep it at hand for future references.




This manual

- Will help you use your appliance in a fast and safe way.
- Read the manual before installing and operating your product.
- Follow the instructions, especially those for safety.
- Keep the manual in an easily accessible place as you may need it later.
- Besides, read also the other documents provided with your product.

Please note that this manual may be valid for other models as well.

Symbols and their descriptions

This instruction manual contains the following symbols:

-  Important information or useful usage tips.
-  Warning against dangerous conditions for life and property.
-  Warning against electric voltage.



This product is supplied with the selective sorting symbol for waste electrical and electronic equipment (WEEE).

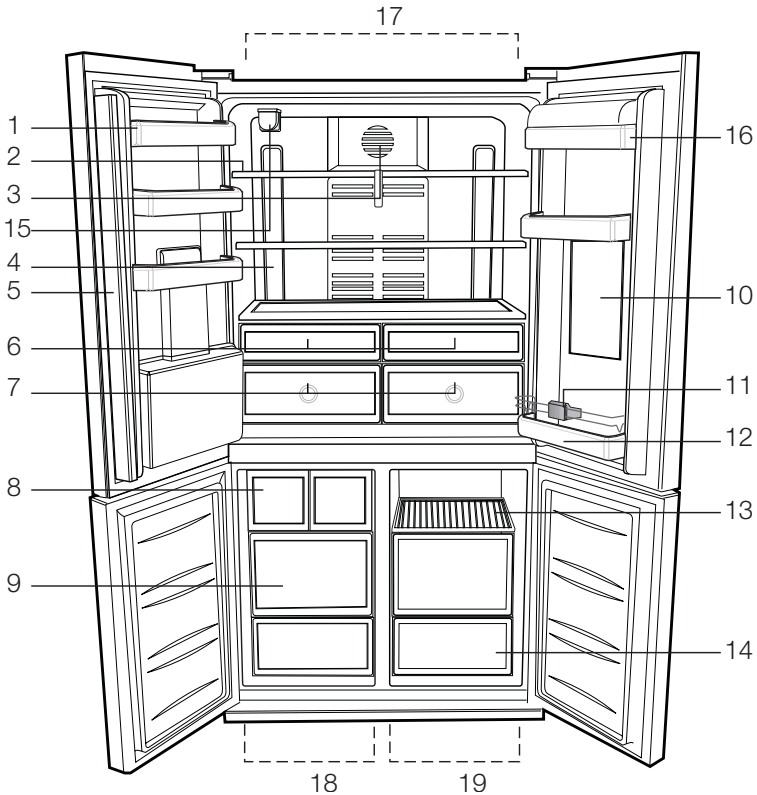
This means that this product must be handled pursuant to European Directive 2002/96/EC in order to be recycled or dismantled to minimise its impact on the environment. For further information, please contact your local or regional authorities.

Electronic products not included in the selective sorting process are potentially dangerous for the environment and human health due to the presence of hazardous substances.

CONTENTS

1 The refrigerator	3	5 Using your refrigerator	17
2 Important Safety Warnings	4	Indicator Panel.....	17
Intended use	4	Things to do to have the filter usage time calculated automatically	21
For products with a water dispenser; ..	6	Sliding Body Shelves	22
Child safety.....	6	Egg tray.....	22
HCA Warning	6	Crisper	22
Things to be done for energy saving ..	6	Chiller compartment	22
3 Installation	7	Movable Middle Section	23
Points to be considered when re- transporting your refrigerator	7	Flexi Zone Storage Compartment ..	23
Before operating your refrigerator	7	Blue light	23
Electric connection	8	Sliding Body Shelves With Rear Hangers	24
Disposing of the packaging	8	Butter & Cheese Section	24
Disposing of your old refrigerator	8	Using the water spring.....	24
Placing and Installation	8	Spillage Tray	24
Floor balance adjustment	9	Minibar	25
Adjusting the gap between the upper door	9	6 Cleaning and care	26
Installing Water Filter	11	Protection of plastic surfaces	26
Connection of the Water Pipe to the Refrigerator	11	7 Recommended solutions for the problems	27
Connection of Water Hose to the Jug	12		
Connection of the Water Pipe to the Cold Water Mains Line	13		
Prior to first use of Water Dispenser.	15		
4 Preparation	16		

1 The refrigerator



- | | | | |
|-----|----------------------------------|-----|----------------------------------|
| 1- | Fridge compartment door shelves | 11- | Bottle holder |
| 2- | Fridge compartment glass shelves | 12- | Bottle shelf |
| 3- | Diffuser cover | 13- | Food storage compartment shelves |
| 4- | Illumination lens | 14- | Food storage compartments |
| 5- | Movable middle section | 15- | Water Filter |
| 6- | Chiller compartment | 16- | Butter & Cheese shelf |
| 7- | Crisper | 17- | Fridge compartment |
| 8- | Icematic | 18- | Freezer compartment |
| 9- | Frozen food storage compartments | 19- | Flexi Zone |
| 10- | Minibar | | |

ⓘ Figures that take place in this instruction manual are schematic and may not correspond exactly with your product. If the subject parts are not included in the product you have purchased, then it is valid for other models.

2 Important Safety Warnings

Please review the following information. Failure to observe this information may cause injuries or material damage. Otherwise, all warranty and reliability commitments will become invalid.

The usage life of the unit you purchased is 10 years. This is the period for keeping the spare parts required for the unit to operate as described.

Intended use

- This product is intended to be used indoors and in closed areas such as homes;
- in closed working environments such as stores and offices;
- in closed accommodation areas such as farm houses, hotels, pensions.
- This product should not be used outdoors.

General safety

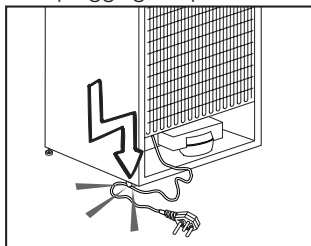
- When you want to dispose/scrapped the product, we recommend you to consult the authorized service in order to learn the required information and authorized bodies.
- Consult your authorized service for all your questions and problems related to the refrigerator. Do not intervene or let someone intervene to the refrigerator without notifying the authorized services.
- For products with a freezer compartment; Do not eat cone ice cream and ice cubes immediately after you take them out of the freezer compartment! (This may cause frostbite in your mouth.)
- For products with a freezer compartment; Do not put bottled and canned liquid beverages in the freezer compartment. Otherwise, these may burst.

- Do not touch frozen food by hand; they may stick to your hand.
- Unplug your refrigerator before cleaning or defrosting.
- Vapor and vaporized cleaning materials should never be used in cleaning and defrosting processes of your refrigerator. In such cases, the vapor may get in contact with the electrical parts and cause short circuit or electric shock.
- Never use the parts on your refrigerator such as the door as a means of support or step.
- Do not use electrical devices inside the refrigerator.
- Do not damage the parts, where the refrigerant is circulating, with drilling or cutting tools. The refrigerant that might blow out when the gas channels of the evaporator, pipe extensions or surface coatings are punctured causes skin irritations and eye injuries.
- Do not cover or block the ventilation holes on your refrigerator with any material.
- Electrical devices must be repaired by only authorized persons. Repairs performed by incompetent persons create a risk for the user.
- In case of any failure or during a maintenance or repair work, disconnect your refrigerator's mains supply by either turning off the relevant fuse or unplugging your appliance.
- Do not pull by the cable when pulling off the plug.
- Place the beverage with higher proofs tightly closed and vertically.
- Never store spray cans containing flammable and explosive substances in the refrigerator.
- Do not use mechanical devices

or other means to accelerate the defrosting process, other than those recommended by the manufacturer.

- This product is not intended to be used by persons with physical, sensory or mental disorders or unlearned or inexperienced people (including children) unless they are attended by a person who will be responsible for their safety or who will instruct them accordingly for use of the product
- Do not operate a damaged refrigerator. Consult with the service agent if you have any concerns.
- Electrical safety of your refrigerator shall be guaranteed only if the earth system in your house complies with standards.
- Exposing the product to rain, snow, sun and wind is dangerous with respect to electrical safety.
- Contact authorized service when there is a power cable damage to avoid danger.
- Never plug the refrigerator into the wall outlet during installation. Otherwise, risk of death or serious injury may arise.
- This refrigerator is intended for only storing food items. It must not be used for any other purpose.
- Label of technical specifications is located on the left wall inside the refrigerator.
- Never connect your refrigerator to electricity-saving systems; they may damage the refrigerator.
- If there is a blue light on the refrigerator, do not look at the blue light with optical tools.
- For manually controlled refrigerators, wait for at least 5 minutes to start the refrigerator after power failure.
- This operation manual should be handed in to the new owner of the product when it is given to others.
- Avoid causing damage on power cable

when transporting the refrigerator. Bending cable may cause fire. Never place heavy objects on power cable. Do not touch the plug with wet hands when plugging the product.



- Do not plug the refrigerator if the wall outlet is loose.
- Water should not be sprayed directly on inner or outer parts of the product for safety purposes.
- Do not spray substances containing inflammable gases such as propane gas near the refrigerator to avoid fire and explosion risk.
- Never place containers filled with water on top of the refrigerator, otherwise this may cause electric shock or fire.
- Do not overload your refrigerator with excessive amounts of food. If overloaded, the food items may fall down and hurt you and damage refrigerator when you open the door. Never place objects on top of the refrigerator; otherwise, these objects may fall down when you open or close the refrigerator's door.
- As they require a precise temperature, vaccines, heat-sensitive medicine and scientific materials and etc. should not be kept in the refrigerator.
- If not to be used for a long time, refrigerator should be unplugged. A possible problem in power cable may cause fire.
- The plug's tip should be regularly cleaned; otherwise, it may cause fire.
- The plug's tip should be cleaned

regularly with a dry cloth; otherwise, it may cause fire.

- Refrigerator may move if adjustable legs are not properly secured on the floor. Properly securing adjustable legs on the floor can prevent the refrigerator to move.
- When carrying the refrigerator, do not hold it from door handle. Otherwise, it may be snapped.
- When you have to place your product next to another refrigerator or freezer, the distance between devices should be at least 8cm. Otherwise, adjacent side walls may be humidified.

For products with a water dispenser;

Pressure of water mains should be minimum 1 bar. Pressure of water mains should be maximum 8 bars.

- Use only potable water.

Child safety

- If the door has a lock, the key should be kept away from reach of children.
- Children must be supervised to prevent them from tampering with the product.

HCA Warning

If your product's cooling system contains R600a:

This gas is flammable. Therefore, pay attention to not damaging the cooling system and piping during usage and

transportation. In the event of damage, keep your product away from potential fire sources that can cause the product catch a fire and ventilate the room in which the unit is placed.

Ignore this warning if your product's cooling system contains R134a.

Type of gas used in the product is stated in the type plate which is on the left wall inside the refrigerator.

Never throw the product in fire for disposal.

Things to be done for energy saving

- Do not leave the doors of your refrigerator open for a long time.
- Do not put hot food or drinks in your refrigerator.
- Do not overload your refrigerator so that the air circulation inside of it is not prevented.
- Do not install your refrigerator under direct sunlight or near heat emitting appliances such as ovens, dishwashers or radiators.
- Pay attention to keep your food in closed containers.
- For products with a freezer compartment; You can store maximum amount of food items in the freezer when you remove the shelf or drawer of the freezer. Energy consumption value stated for your refrigerator has been determined by removing freezer shelf or drawer and under maximum load. There is no harm to use a shelf or drawer according to the shapes and size of food to be frozen.
- Thawing frozen food in fridge compartment will both provide energy saving and preserve the food quality.

3 Installation

- i** Please remember that the manufacturer shall not be held liable if the information given in the instruction manual is not observed.

Points to be considered when re-transporting your refrigerator

1. Your refrigerator must be emptied and cleaned prior to any transportation.
2. Shelves, accessories, crisper and etc. in your refrigerator must be fastened securely by adhesive tape against any jolt before repackaging.
3. Packaging must be tied with thick tapes and strong ropes and the rules of transportation printed on the package must be followed.

i Always remember...

Every recycled material is an indispensable source for the nature and for our national resources.

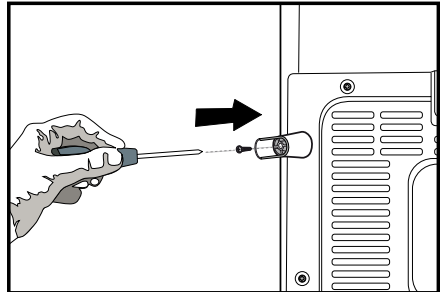
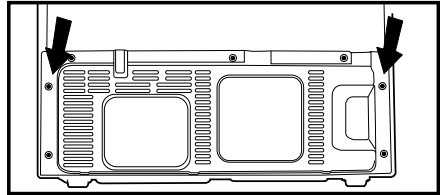
If you wish to contribute to recycling the packaging materials, you can get further information from the environmental bodies or local authorities.

Before operating your refrigerator

Before starting to use your refrigerator check the following:

1. Is the interior of the refrigerator dry and can the air circulate freely in the rear of it?
2. Insert the 2 plastic wedges onto the rear ventilation cover as illustrated in the following figure. To do this, remove the screws on the product and use the screws given in the same pouch.

Plastic wedges will provide the required distance between your refrigerator and the wall in order to allow the air circulation.



3. Clean the interior of the refrigerator as recommended in the "Maintenance and cleaning" section.
4. Plug the refrigerator into the wall outlet. When the door is open the respective interior light will come on.
5. You will hear a noise as the compressor starts up. The liquid and gases sealed within the refrigeration system may also give rise to noise, even if the compressor is not running and this is quite normal.
6. Front edges of the refrigerator may feel warm. This is normal. These areas are designed to be warm to avoid condensation.

Electric connection

Connect your refrigerator to a grounded socket which is being protected by a fuse with the appropriate capacity.

Important:

- ⚠ The connection must be in compliance with national regulations.
- ⚠ The power cable plug must be easily accessible after installation.
- ⚠ Voltage and allowable fuse protection are specified in the “Technical Specifications” section.
- ⚠ The specified voltage must be equal to your mains voltage.
- ⚠ Extension cables and multiway plugs must not be used for connection.
- ⚠ A damaged power cable must be replaced by a qualified electrician.
- ⚠ The appliance must not be operated before it is repaired! There is danger of electric shock!

Disposing of the packaging

- ⚠ The packing materials may be dangerous for children. Keep the packing materials out of the reach of children or dispose them of by classifying them in accordance with the waste instructions. Do not dispose them of along with the normal household waste.

The packing of your refrigerator is produced from recyclable materials.

Disposing of your old refrigerator

Dispose of your old machine without giving any harm to the environment.

- ⚠ You may consult your authorized dealer or waste collection center of your municipality about the disposal of your refrigerator.

- ⚠ Before disposing of your refrigerator, cut out the electric plug and, if there are any locks on the door, make them inoperable in order to protect children against any danger.

Placing and Installation

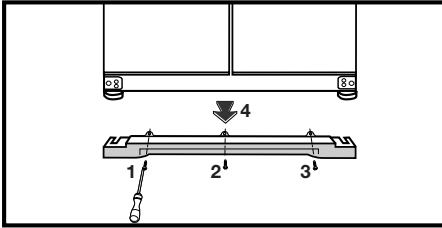
- ⚠ Caution: Never plug the refrigerator into the wall outlet during installation. Otherwise, risk of death or serious injury may arise.

- ⚠ If the entrance door of the room where the refrigerator will be installed is not wide enough for the refrigerator to pass through, than call the authorised service to have them remove the doors of your refrigerator and pass it sideways through the door.

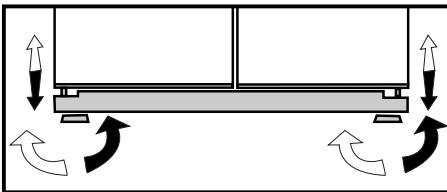
1. Install your refrigerator to a place that allows ease of use.
2. Keep your refrigerator away from heat sources, humid places and direct sunlight.
3. There must be appropriate air ventilation around your refrigerator in order to achieve an efficient operation. If the refrigerator is to be placed in a recess in the wall, there must be at least 5 cm distance with the ceiling and at least 5 cm with the wall. If the floor is covered with a carpet, your product must be elevated 2.5 cm from the floor.
4. Place your refrigerator on an even floor surface to prevent jolts.
5. Do not keep your refrigerator in ambient temperatures under 10°C.

Floor balance adjustment

⚠ If your refrigerator is unbalanced;
⚠ First unplug the product. The product must be unplugged when making the balance adjustment. There is the risk of electric shock.



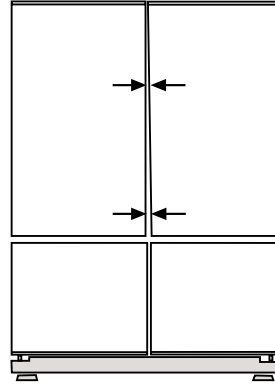
1- Ventilation cover is removed by unscrewing its screws as illustrated in the figure before the procedure. You can balance your refrigerator by turning the front legs of it as illustrated in the figure. The corner where the leg exists is lowered when you turn in the direction of black arrow and raised when you turn in the opposite direction. Taking help from someone to slightly lift the refrigerator will facilitate this process.



2. After the balance issue is remedied, install back the ventilation cover and fasten the screws.

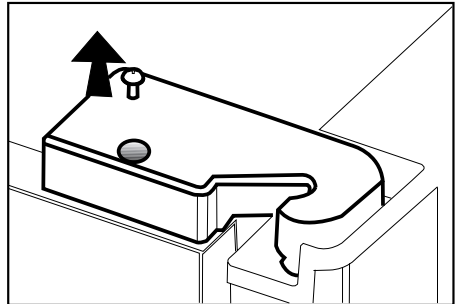
3. Remove the screws fastening the lower ventilation cover using a Philips screwdriver.

Adjusting the gap between the upper door

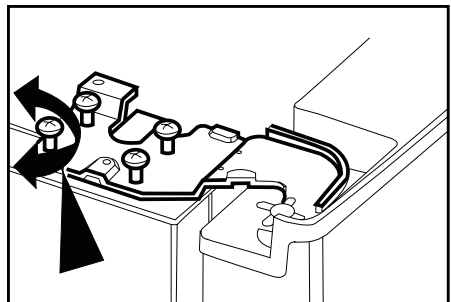


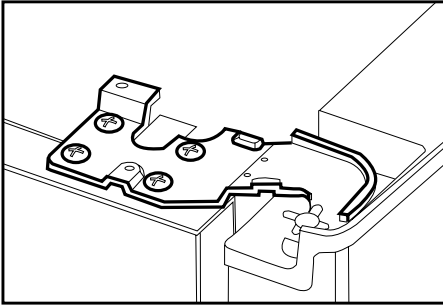
i You can adjust the gap between the fridge compartment doors as illustrated in the figures.

Door shelves should be empty when adjusting the door height.

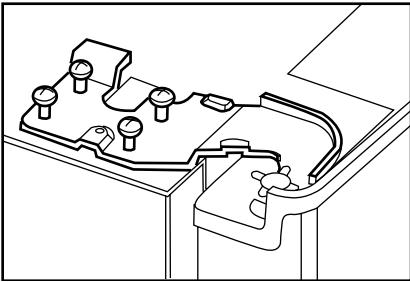


i Using a screwdriver, remove the screw of upper hinge cover of the door you want to adjust.

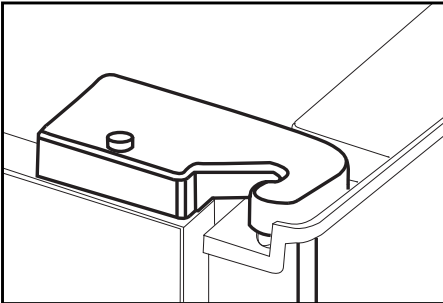




i Adjust the door appropriately as you desire by loosening the screws.



i Fix the door you have adjusted by tightening the screws without changing the position of the door.



i Replace the hinge cover and fix with the screw.

Installing Water Filter

(in some models)

Two different water sources may be connected to the refrigerator for water supply: the mains cold water supply and water in a jug.

Installation Requirements

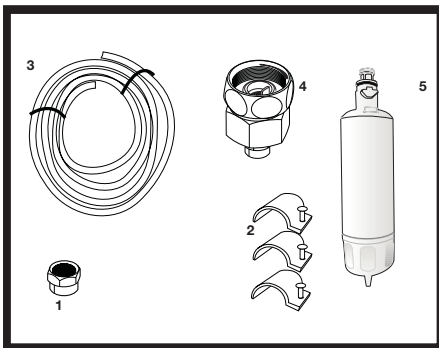
A pump should be used for jug water usage.

Check that the parts stated below are supplied with your appliance.

1. Union for connection of the water pipe to the rear of the appliance. (If it does not fit, provide it from the nearest authorized service.)
2. 2 pieces of pipe clips (In case required to secure the water pipe)

Note: Since the following parts are not required in use with a jug, they may not be found in the product you purchased.

3. 5-meter long water pipe (1/4 inch in diameter)
4. Cold mains water valve with mesh filter (Tap Adapter)
5. Water Filter or externally connectable filter to be fitted to the bracket inside the fridge compartment.



Place where the external filter is going to be fitted should be determined first. (Applies to the filter being used outside the refrigerator.) Then, determine the distance between the filter and the refrigerator and required hose lengths from the filter to the refrigerator water inlet.

Water filter must be held upright as shown in the figure. It is important to properly attach the filter to water inlet and water outlet ports.

After attaching the filter, do not use first 3-4 glasses of water.

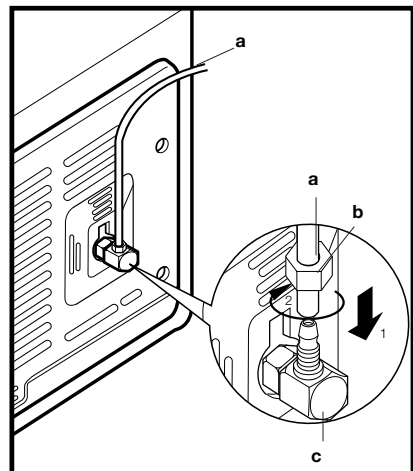
Connection of the Water Pipe to the Refrigerator

1. After installing the union onto the water pipe, insert the water pipe to the refrigerator inlet valve by pressing downwards firmly.

2. Fix union as seen in the opposite figure, by squeezing by hand on the refrigerator inlet valve.

(a- Water Pipe, b-Union, c-Valve)

i Note 1: You should not need to tighten the union with a tool to achieve water tight assembly. In case of a leak use a spanner or a pair of pliers to tighten the union.

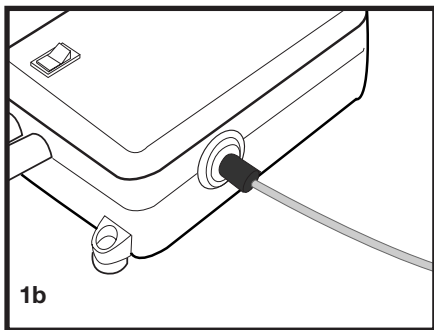
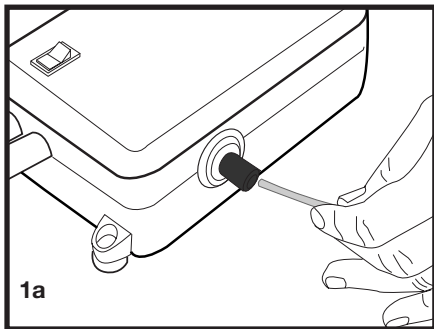


Connection of Water Hose to the Jug

(in some models)

To connect water to the refrigerator from a jug, a pump is needed. Follow the instructions below after connecting one end of the water pipe coming out of the pump to the refrigerator as described on the previous page.

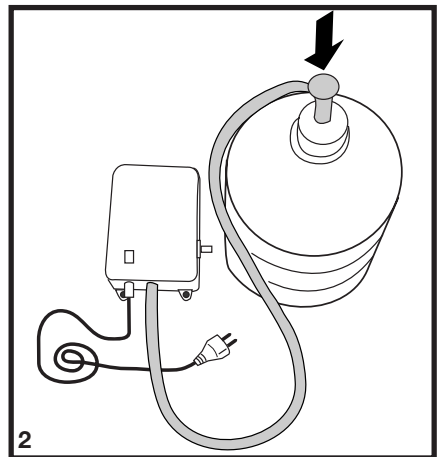
1. Finish the connection by pushing the other end of the water pipe into the water pipe inlet of the pump as shown in the figure.



2. Put and fix the pump hose into the jug as shown in the figure.
3. After completing the connection, plug in and run the pump.

To provide an efficient operation of the pump, wait for 2-3 minutes after starting the pump.

- i** You may refer to the user manual of the pump while making the water connection.
- i** There is no need to use water filter in case a jug is used.
- i** Pump must be used when jug will be used.



Connection of the Water Pipe to the Cold Water Mains Line

(in some models)

If you want to use your refrigerator by connecting it to the cold water mains line,

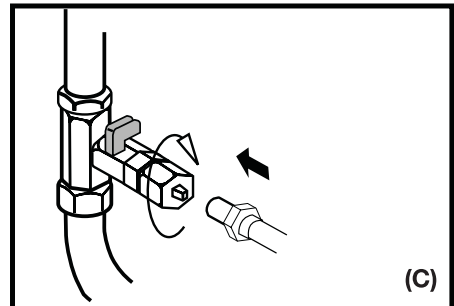
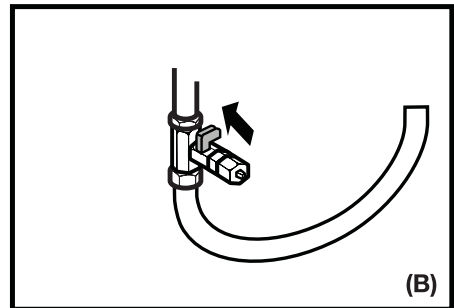
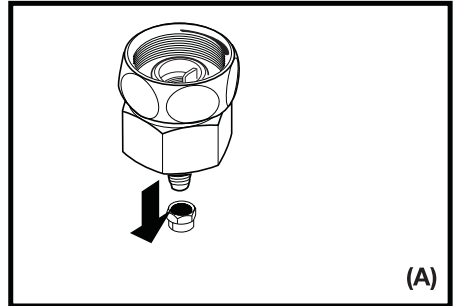
you will have to connect a standard 1/2" valve connection fitting to the cold water supply in your house. In case this valve is not present or in case you are not sure, consult a qualified plumber.

1. Separate the union from the tap adaptor. (Figure A)
2. Install the tap adaptor to 1/2" valve fitting as shown in the figure. (Figure B)
3. After inserting the water pipe to the union, install it to the tap adaptor and insert to the tap as shown in the figure. (Figure C)
4. Tighten the union manually. In case of a leak use a spanner or a pair of pliers to tighten the union.

⚠ Caution: Secure the water pipe to suitable points by means of the pipe clips supplied to avoid any damage or displacement or accidental disconnection.

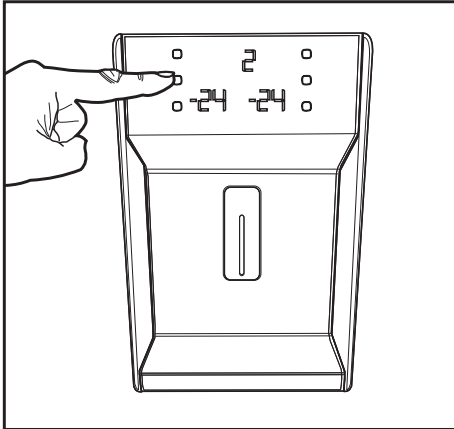
⚠ Caution: After turning on the water valve, make sure that there is no leakage at both connection points of the water pipe. In case of a leak, turn off the valve immediately and tighten all joints again using a spanner or a pair of pliers.

⚠ Caution: Make sure that standard 1/2" valve fitting fed by cold mains water supply is available and is turned off fully.

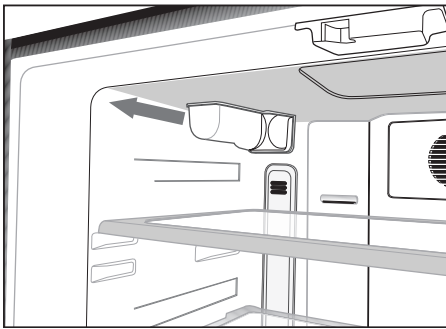


To fit the water filter follow the instructions below referring to figures supplied:

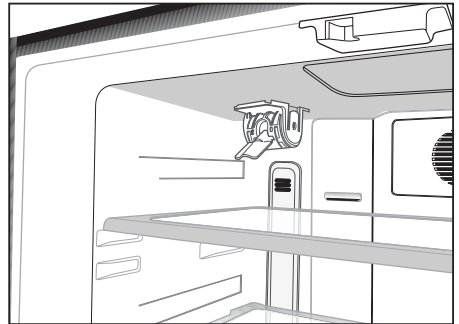
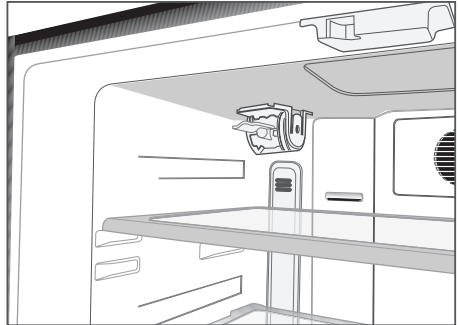
1. Press ice cancel button on the display.



2. Remove the filter cover in the fridge compartment by pulling it forward.



3. Take out the water filter by-pass cover by rotating it downwards.



⚠ Caution: Make sure that the “Ice off” mode is active before taking out the by-pass cover.

Note: It is normal that a few drops of water drip after the cover has been taken out.

4. Remove the lid on top of the water filter to place it as shown in the figure and turn upwards to lock it.
5. Press ice cancel button on the display again to exit from this mode.

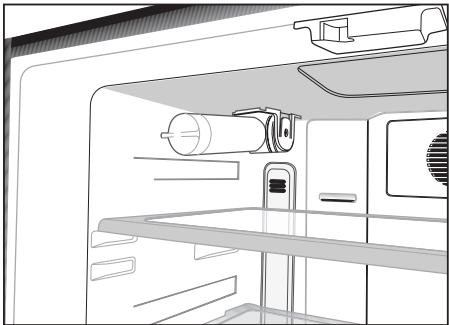
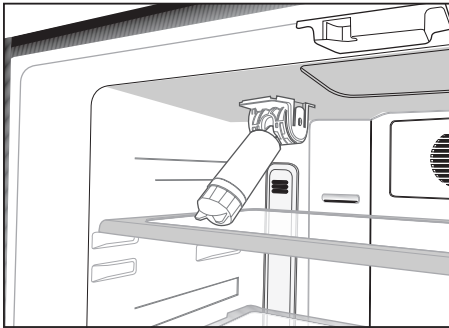
Water filter should be replaced every 6 months.

If you want to have the filter change time calculated automatically and receive a warning at the end of usage time, please read "Calculating the Filter Usage Time Automatically" section.

The water filter must be removed as shown in the figure when it is going to be replaced or when it will no longer be used and by-pass cover must be attached. It must be made sure that Ice Off mode is active before taking it out.

⚠ Caution: Water filter cleans some foreign particles in the water. It does not purify water from microorganisms.

⚠ Caution: Ice Off button must always be pressed during replacement of the water filter or installing the by-pass cover.



Prior to first use of Water Dispenser

i Water mains pressure must not be below 1 bar.

i Water mains pressure must not be above 8 bars.

i Pumps must be used in case the supply water pressure drops below 1 bar or if a jug is going to be used.

i Water system of the refrigerator must be connected to the cold water line. It must not be connected to hot water line.

i No water may be obtained in the initial operation of the refrigerator. This is caused by the air in the system. To discharge air from the system, press Dispenser latch for periods of 1 minute until water comes from the Dispenser. Water flow may be irregular in the beginning. Irregular water flow will be normalized after the air in the system is discharged.

i At the initial startup of the refrigerator approx. 12 hours must pass before cold water can be obtained.

i Water mains pressure must be between 1-8 bars for the operation of Ice/Water Dispenser smoothly. For this, check that 1 glass of water (100 cc) can be filled in 10 seconds.

i The first 10 glasses of water should not be consumed.

i Approximately the first 30 cubes of ice to be obtained from the Ice Dispenser must not be used.

i Always use the water filter when a jug is not being used.

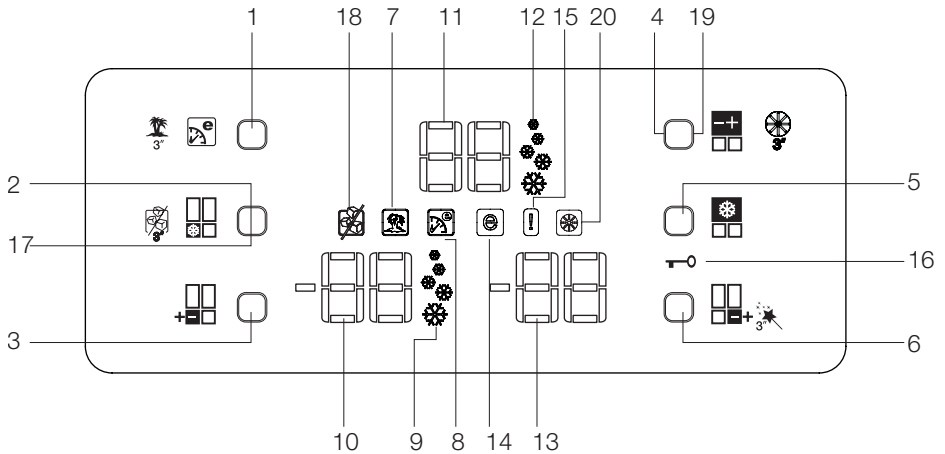
4 Preparation

- i** Your refrigerator should be installed at least 30 cm away from heat sources such as hobs, ovens, central heater and stoves and at least 5 cm away from electrical ovens and should not be located under direct sunlight.
- i** The ambient temperature of the room where you install your refrigerator should at least be 10°C. Operating your refrigerator under cooler conditions than this is not recommended with regard to its efficiency.
- i** Please make sure that the interior of your refrigerator is cleaned thoroughly.
- i** If two refrigerators are to be installed side by side, there should be at least 2 cm distance between them.
- i** When you operate your refrigerator for the first time, please observe the following instructions during the initial six hours.
 - The door should not be opened frequently.
 - It must be operated empty without any food in it.
 - Do not unplug your refrigerator. If a power failure occurs out of your control, please see the warnings in the “Recommended solutions for the problems” section.
- i** Original packaging and foam materials should be kept for future transportations or moving.

5 Using your refrigerator

Indicator Panel

This touch-control indicator panel allows you to set the temperature without opening the door of your refrigerator. Just touch the relevant button with your finger to set the temperature.



1. Eco Extra/Vacation Button
2. Fast Freeze Button
3. Freezer Compartment Temperature Setting Button
4. Fridge Compartment Temperature Setting Button
5. Quick Cool Button
6. Flexi Zone Compartment Temperature Setting Button
7. Vacation Function Indicator
8. Eco Extra Function Indicator
9. Quick Freeze Function Indicator
10. Freezer Compartment Temperature Indicator
11. Fridge Compartment Temperature Indicator
12. Quick Cool Function Indicator
13. Flexi Zone Storage Compartment Temperature Indicator
14. Economy Mode Indicator
15. Error Status Indicator
16. Key Lock Indicator
17. Ice Cancel Button
18. Ice Off indicator
19. Cancel Filter Change Warning Button
20. Filter Change Warning Indicator

1. Eco Extra/Vacation Button

Press this button briefly to activate the Eco Extra function. Press and hold this button for 3 sec. to activate the Vacation function. Press this button again to deactivate the selected function.

2. Fast Freeze Button

Press this button briefly to activate the Fast Freeze function. Press this button again to deactivate the selected function.

3. Freezer Compartment Temperature Setting Button

Press this button to set the temperature of the freezer compartment to -18, -20, -22, -24, -18... respectively. Press this button to set the desired temperature for the Freezer Compartment.

4. Fridge Compartment Temperature Setting Button

Press this button to set the temperature of the fridge compartment to 8, 6, 4, 2, 8... respectively. Press this button to set the desired temperature for the Fridge Compartment.

5. Quick Cool Button

Press this button briefly to activate the Quick Cool function. Press this button again to deactivate the selected function.

6. Flexi Zone Compartment Temperature Setting Button

You can set the Flexi Zone Compartment either as a Freezer or a Cooler.

Press and hold this button for a long time (3 sec) to set the Flexi Zone Compartment as a Freezer or a Cooler. This compartment is set as a Freezer Compartment at factory.

If the Flexi Zone Compartment is set as a Freezer, then the temperature of the Flexi Zone Compartment will change as -18, -20, -22, -24, -18... respectively each time you press this button. If the Flexi Zone Compartment is set as a Fridge, then the temperature of the Flexi Zone Compartment will change as 10, 8, 6, 4, 2, 0, -6, ... respectively each time you press this button.

7. Vacation Function Indicator

Indicates that the vacation function is active. If this function is active, "- -" appears on the indicator of the fridge compartment and no cooling is performed in the fridge compartment. Other compartments will be cooled in accordance with the temperature set for them.

Press the relevant button again to deactivate this function.

8. Eco Extra Function Indicator

It indicates that the Eco-Extra function is active. If this function is active, your refrigerator will automatically detect the least usage periods and energy-efficient cooling will be performed during those times. Economy indicator will be active while energy-efficient cooling is performed.

Press the relevant button again to deactivate this function.

9. Quick Freeze Function Indicator

It indicates that the Fast Freeze function is active. Use this function when you place fresh food into the freezer compartment or when you need ice. When this function is active, your refrigerator will run for a certain period of time.

Press the relevant button again to deactivate this function.

10. Freezer Compartment Temperature Indicator

It indicates the temperature set for Freezer Compartment.

11. Fridge Compartment Temperature Indicator

Indicates the temperature set for Fridge Compartment.

12. Quick Cool Function Indicator

Indicates that the Quick Cool function is active. Use this function when you place fresh food into the fridge compartment or when you need to cool your food quickly. When this function is active, your refrigerator will run for 2 hours without stopping.

Press the relevant button again to deactivate this function.

13. Flexi Zone Storage Compartment Temperature Indicator

It indicates the temperature set for Flexi Zone compartment.

14. Economy Mode Indicator

Indicates that the refrigerator is running in energy-efficient mode. Freezer Compartment temperature
This indicator will be active if the function is set to -18 or the energy efficient cooling is being performed due to Eco-Extra function.

15. Error Status Indicator

If your refrigerator does not cool adequately or if there is a sensor failure, this indicator will be activated. When this indicator is active, Freezer Compartment Temperature indicator will display "E" and Fridge Compartment Temperature Indicator will display numbers such as "1,2,3...". These numbers on the indicator provides information about the error to the service personnel.

16. Key Lock Indicator

Use this function if you do not want your refrigerator temperature setting changed. Press Quick Cool Button and Flexi Zone Compartment Temperature Setting Button simultaneously for a long time (3 sec) to activate this feature.

Press the relevant buttons again to deactivate this function.

17. Ice Cancel Button

To stop ice formation, ice cancel button is pressed for 3 seconds. When ice cancel is selected, no water will be sent to the ice box. Despite this, some ice may be leftover in the ice box which may be taken from there. To restart ice formation, ice cancel button has to be pressed for 3 seconds.

18. Ice Cancel Indicator

If you do not want to get ice from the refrigerator, you need to use this function. You may use this function by pressing the ice cancel button for 3 seconds.

19. Cancel Filter Change Warning Button

Filter of your refrigerator must be replaced every 6 months. Your refrigerator calculates this time automatically and the filter change warning indicator illuminates when the filter usage time has elapsed. Press Cancel filter change warning button for 3 seconds to allow the refrigerator to calculate the new filter time automatically after changing the filter.

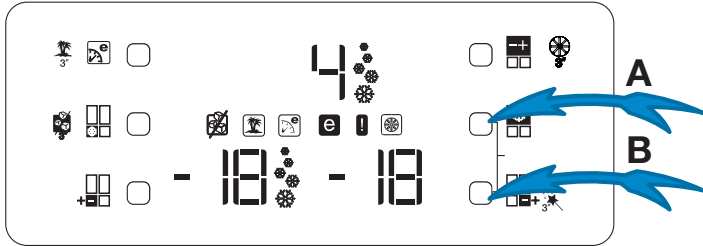
20. Cancel Filter Change Warning Indicator

When the filter usage time has elapsed, filter change warning indicator starts to illuminate.

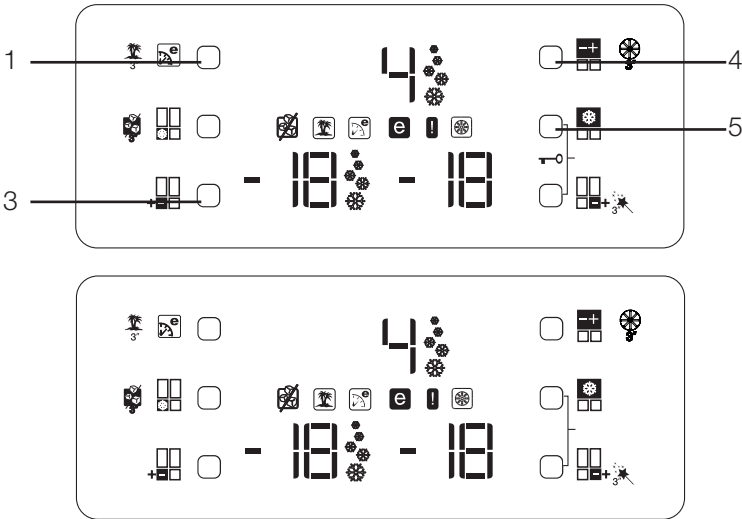
Things to do to have the filter usage time calculated automatically

(For products connected to the mains water line and equipped with filter)

1- After plugging the refrigerator in, press A and B buttons together to activate the key lock.



2- Then press Eco-Extra (1), Fridge Compartment Temperature Setting (4), Quick Cool (5) and Freezer Compartment Temperature Setting (3) buttons respectively.



If button configuration is pressed in the correct order, key lock symbol will go off, buzzer will be activated shortly, and Filter change warning indicator illuminates. Press cancel filter change warning button (Item 19 in display descriptions) after changing the filter to have the filter usage time calculated automatically.

i If the filter usage time is being calculated automatically, filter change warning indicator will illuminate in a few seconds after the product is plugged in.

i **Automatic filter usage time calculation is not active ex factory. It must be activated in products equipped with a filter.**

i **Repeat the same procedure in products whose automatic filter usage time calculation is activated in order to deactivate the filter usage time calculation.**

Egg tray

You can install the egg holder to the desired door or body shelf.

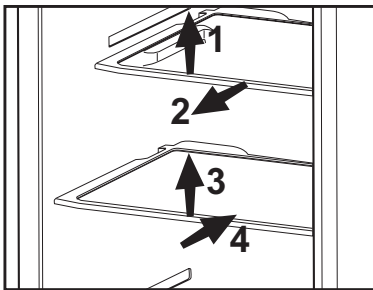
Never store the egg holder in the freezer compartment

Sliding Body Shelves

Sliding body shelves can be pulled by slightly lifting up from the front and moved back and forth. They come to a stop point when pulled towards front to allow you reach the foods placed at the back of the shelf; when it is pulled after slightly lifted upwards at the second stop point, the body shelf will be released.

The shelf should be hold tightly from the bottom as well in order to prevent it from tipping over. The body shelf is placed on the rails at the sides of the refrigerator body by bringing it to one lower or one upper level.

The body shelf should be pushed backwards to seat it completely.

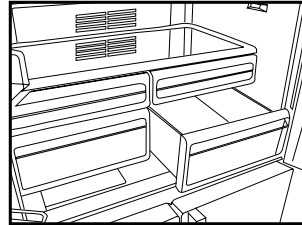


Crisper

Crisper of your refrigerator is designed specially to keep your vegetables freshly without losing their humidity.

For this purpose, cool air circulation occurs around the crisper in general.

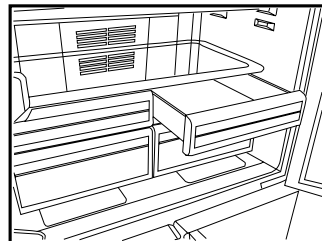
Remove the door shelves that align with the crisper before removing the crispers. You can remove the crispers as illustrated in the figure.



Chiller compartment

Chiller compartments enable the foods to be frozen become ready for freezing. You can also use these compartments to store your food at a temperature a few degrees below the fridge compartment.

You can increase the inner volume of your refrigerator by removing any of the chiller compartments. To do this, pull the compartment towards yourself; the compartment will lean against the stopper and stop. This compartment will be released when you lift it about 1 cm and pull it towards yourself.



Movable Middle Section

Movable middle section is intended to prevent the cold air inside your refrigerator from escaping outside.

1- Sealing is provided when the gaskets on the door presses on the surface of the movable middle section while the fridge compartment doors are closed.

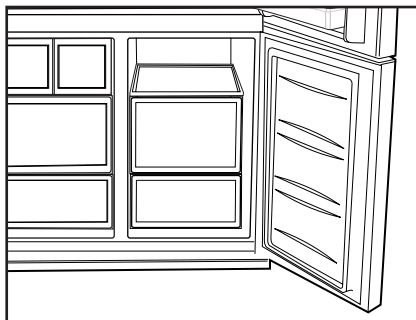
2- Another reason that your refrigerator is equipped with a movable middle section is that it increases the net volume of the fridge compartment. Standard middle sections occupy some non-usable volume in the refrigerator.

3- Movable middle section is closed when the left door of the fridge compartment is closed.

4- It must not be opened manually. It moves under the guidance of the plastic part on the body while the door is closed.

Flexi Zone Storage Compartment

The Flexi Zone Storage Compartment of your refrigerator may be used in any desired mode by adjusting it to fridge (2/4/6/8 °C) or freezer (-18/-20/-22/-24) temperatures. You can keep the compartment in the desired temperature with the Flexi Zone Storage Compartment Temperature Setting Button. The temperature of the Flexi Zone Storage Compartment may be set to 0 and 10 degrees in addition to the fridge compartment temperatures and to -6 degrees in addition to the freezer compartment temperatures. 0 degree is used to store the deli products longer, and -6 degrees is used to keep the meats up to 2 weeks in an easily cuttable condition.



i The feature of switching to a Fridge or Freezer compartment is provided by a cooling element located in the closed section (Compressor Compartment) behind the refrigerator. During operation of this element, sounds similar to the sound of seconds heard from an analog clock may be heard. This is normal and is not fault cause.

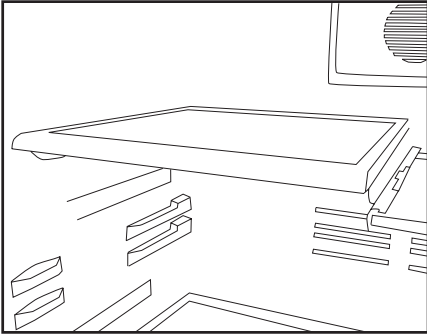
Blue light

Foodstuff stored in the crispers that are enlightened with a blue light continue their photosynthesis by means of the wavelength effect of blue light and thus, preserve their freshness and increase their vitamin content.



Sliding Body Shelves With Rear Hangers

Sliding body shelves with rear hangers can be moved back and forth. Height of these shelves can be adjusted by removing and then installing them to upper or lower positions. Raise the shelf up slightly and pull towards yourself to remove it.

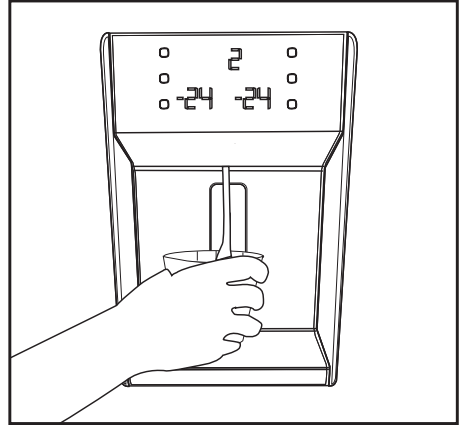


Using the water spring

Warnings

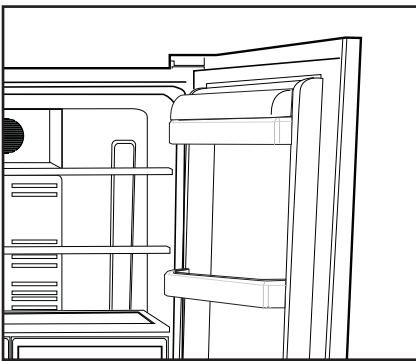
It is normal for the first few glasses of water taken from the dispenser to be warm.

In cases where the water dispenser has not been used frequently, sufficient amount of water must be drained from the dispenser to get fresh water.



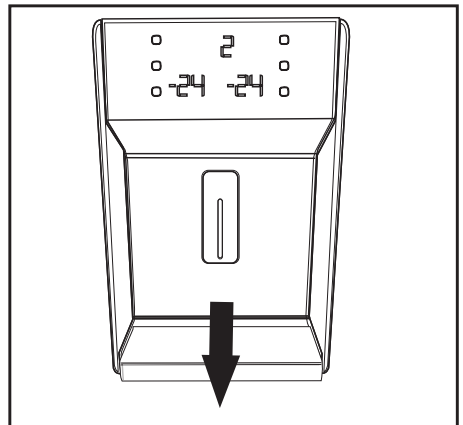
Butter & Cheese Section

You can store food such as butter, cheese, and margarine in this section which has a lid.



Spillage Tray

Water drops that drip during use, accumulates in the spillage tray. You can remove spillage tray by pulling it to yourself or pressing on its edge (depending on the model). You can remove the water with a sponge or a soft cloth.



Minibar

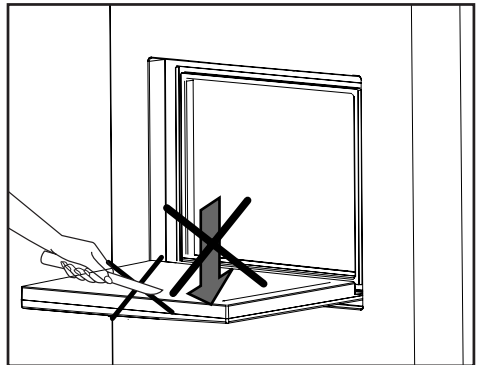
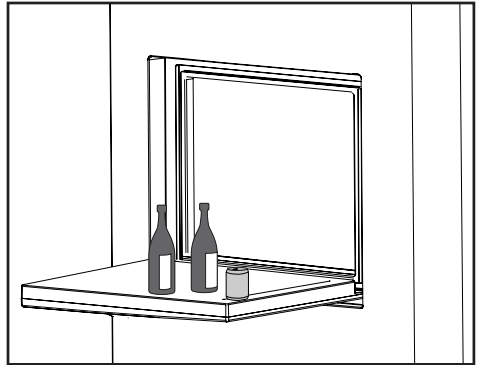
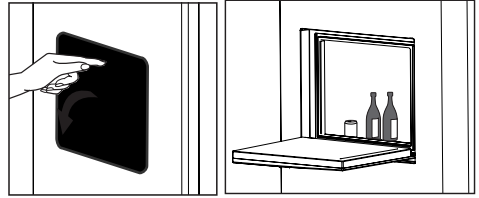
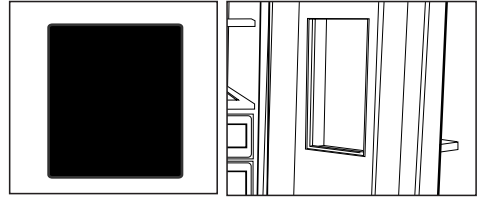
Minibar door provides you extra comfort when using your refrigerator. The door shelf in the refrigerator can be accessed without opening the refrigerator door; thanks to this feature, you can easily pick from the refrigerator the foods and drinks which you frequently consume. Since you do not have to open the refrigerator door frequently, you will have decreased the power consumption of refrigerator.

To open the minibar door, press by your hand on the minibar and pull back to open.

When the door of minibar is open, you may use the inner face of the door as a table on which you may put your bottles and glasses for a short time as shown in the figure.

⚠ Caution: Never do things that may put pressure on the door such as sitting on, climbing up or hanging to the table and do not place heavy objects on it. This may cause damage on the refrigerator or personal injuries.

⚠ Caution: Never perform cutting on the Minibar door and be careful that the door is not damaged by pointed objects.



6 Cleaning and care

- ⚠ Never use gasoline, benzene or similar substances for cleaning purposes.
- ⚠ We recommend that you unplug the appliance before cleaning.
- 🔧 Never use any sharp abrasive instrument, soap, household cleaner, detergent and wax polish for cleaning.
- 🔧 Use lukewarm water to clean the cabinet of your refrigerator and wipe it dry.
- 🔧 Use a damp cloth wrung out in a solution of one teaspoon of bicarbonate of soda to one pint of water to clean the interior and wipe it dry.
- ⚠ Make sure that no water enters the lamp housing and other electrical items.
- ⚠ If your refrigerator is not going to be used for a long period of time, unplug the power cable, remove all food, clean it and leave the door ajar.
- 🔧 Check door seals regularly to ensure they are clean and free from food particles.
- ⚠ To remove door racks, remove all the contents and then simply push the door rack upwards from the base.

Protection of plastic surfaces

- 🔧 Do not put the liquid oils or oil-cooked meals in your refrigerator in unsealed containers as they damage the plastic surfaces of your refrigerator. In case of spilling or smearing oil on the plastic surfaces, clean and rinse the relevant part of the surface at once with warm water.

7 Recommended solutions for the problems

Please review this list before calling the service. It might save you time and money. This list includes frequent complaints that are not arising from defective workmanship or material usage. Some of the features described here may not exist in your product.

The refrigerator does not operate.

- Is the refrigerator properly plugged in? Insert the plug to the wall socket.
- Is the fuse of the socket which your refrigerator is connected to or the main fuse blown out? Check the fuse.

Condensation on the side wall of the fridge compartment (MULTIZONE, COOL CONTROL and FLEXI ZONE).

- Very cold ambient conditions. Frequent opening and closing of the door. Highly humid ambient conditions. Storage of food containing liquid in open containers. Leaving the door ajar. Switching the thermostat to a colder degree.
- Decreasing the time the door left open or using it less frequently.
- Covering the food stored in open containers with a suitable material.
- Wipe the condensation using a dry cloth and check if it persists.

Compressor is not running

- Protective thermic of the compressor will blow out during sudden power failures or plug-out plug-ins as the refrigerant pressure in the cooling system of the refrigerator has not been balanced yet. Your refrigerator will start running approximately after 6 minutes. Please call the service if the refrigerator does not startup at the end of this period.
- The fridge is in defrost cycle. This is normal for a full-automatically defrosting refrigerator. Defrosting cycle occurs periodically.
- Your refrigerator is not plugged into the socket. Make sure that the plug is properly fit into the socket.
- Are the temperature adjustments correctly made?
- Power might be cut off.

The fridge is running frequently or for a long time.

- Your new product may be wider than the previous one. This is quite normal. Large refrigerators operate for a longer period of time.
- The ambient room temperature may be high. This is quite normal.
- The refrigerator might have been plugged in recently or might have been loaded with food. Cooling down of the refrigerator completely may last for a couple of hours longer.
- Large amounts of hot food might have been put in the refrigerator recently. Hot food causes longer running of the refrigerator until they reach the safe storage temperature.
- Doors might have been opened frequently or left ajar for a long time. The warm air that has entered into the refrigerator causes the refrigerator to run for longer periods. Open the doors less frequently.
- Freezer or fridge compartment door might have been left ajar. Check if the doors are tightly closed.
- The refrigerator is adjusted to a very low temperature. Adjust the refrigerator temperature to a warmer degree and wait until the temperature is achieved.
- Door seal of the fridge or freezer may be soiled, worn out, broken or not properly seated. Clean or replace the seal. Damaged/broken seal causes the refrigerator to run for a longer period of time in order to maintain the current temperature.

Freezer temperature is very low while the fridge temperature is sufficient.

- The freezer temperature is adjusted to a very low temperature. Adjust the freezer temperature to a warmer degree and check.

Fridge temperature is very low while the freezer temperature is sufficient.

- The fridge temperature might have been adjusted to a very low temperature. Adjust the fridge temperature to a warmer degree and check.

Food kept in the fridge compartment drawers are freezing.

- The fridge temperature might have been adjusted to a very low temperature. Adjust the fridge temperature to a warmer degree and check.

Temperature in the fridge or freezer is very high.

- The fridge temperature might have been adjusted to a very high degree. Fridge adjustment has an effect on the temperature of the freezer. Change the temperature of the fridge or freezer until the fridge or freezer temperature reaches to a sufficient level.
- Doors might have been opened frequently or left ajar for a long time; open them less frequently.
- Door might have been left ajar; close the door completely.
- Large amount of hot food might have been put in the refrigerator recently. Wait until the fridge or freezer reaches the desired temperature.
- The refrigerator might have been plugged in recently. Cooling down of the refrigerator completely takes time.

The operation noise increases when the refrigerator is running.
<ul style="list-style-type: none"> The operating performance of the refrigerator may change due to the changes in the ambient temperature. It is normal and not a fault.
Vibrations or noise.
<ul style="list-style-type: none"> The floor is not even or it is weak. The refrigerator rocks when moved slowly. Make sure that the floor is strong enough to carry the refrigerator, and level. The noise may be caused by the items put onto the refrigerator. Items on top of the refrigerator should be removed.
There are noises coming from the refrigerator like liquid spilling or spraying.
<ul style="list-style-type: none"> Liquid and gas flows happen in accordance with the operating principles of your refrigerator. It is normal and not a fault.
There is a noise like wind blowing.
<ul style="list-style-type: none"> Fans are used in order to cool the refrigerator. It is normal and not a fault.
Condensation on the inner walls of refrigerator.
<ul style="list-style-type: none"> Hot and humid weather increases icing and condensation. It is normal and not a fault. Doors might have been left ajar; make sure that the doors are closed fully. Doors might have been opened frequently or left ajar for a long time; open them less frequently.
Humidity occurs on the outside of the refrigerator or between the doors.
<ul style="list-style-type: none"> There might be humidity in the air; this is quite normal in humid weather. When the humidity is less, condensation will disappear.
Bad odor inside the refrigerator.
<ul style="list-style-type: none"> Inside of the refrigerator must be cleaned. Clean the inside of the refrigerator with a sponge, lukewarm water or carbonated water. Some containers or package materials might cause the smell. Use a different container or different brand packaging material.
The door is not closing.
<ul style="list-style-type: none"> Food packages may prevent the door's closing. Replace the packages that are obstructing the door. The refrigerator is not completely upright on the floor and rocking when slightly moved. Adjust the elevation screws. The floor is not level or strong. Make sure that the floor is level and capable to carry the refrigerator.
Crispers are stuck.
<ul style="list-style-type: none"> The food might be touching the ceiling of the drawer. Rearrange food in the drawer.

Bitte lesen Sie zuerst diese Anleitung!

Lieber Kunde,

Wir sind sicher, dass Ihnen dieses Produkt, das in modernsten Fertigungsstätten hergestellt und den strengsten Qualitätsprüfungen unterzogen wurde, lange Zeit gute Dienste leisten wird.

Wir empfehlen Ihnen, vor Inbetriebnahme des Gerätes das gesamte Handbuch durchzulesen und es anschließend aufzubewahren.




Diese Anleitung...

- hilft Ihnen, Ihr Gerät schnell und sicher zu bedienen.
- Lesen Sie die Anleitung, bevor Sie Ihr Gerät aufstellen und bedienen.
- Halten Sie sich an die Anweisungen, beachten Sie insbesondere die Sicherheitshinweise.
- Bewahren Sie die Anleitung an einem leicht zugänglichen Ort auf, damit Sie jederzeit darin nachschlagen können.
- Lesen Sie auch die weiteren Dokumente, die mit Ihrem Produkt geliefert wurden.

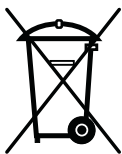
Bitte beachten Sie, dass diese Anleitung eventuell auch für andere Geräte eingesetzt werden kann.

Symbole und ihre Bedeutung

In dieser Anleitung finden Sie die folgenden Symbole:

-  Wichtige Informationen oder nützliche Tipps.
-  Warnung vor Verletzungen oder Beschädigungen.
-  Warnung vor elektrischem Strom.

Recycling



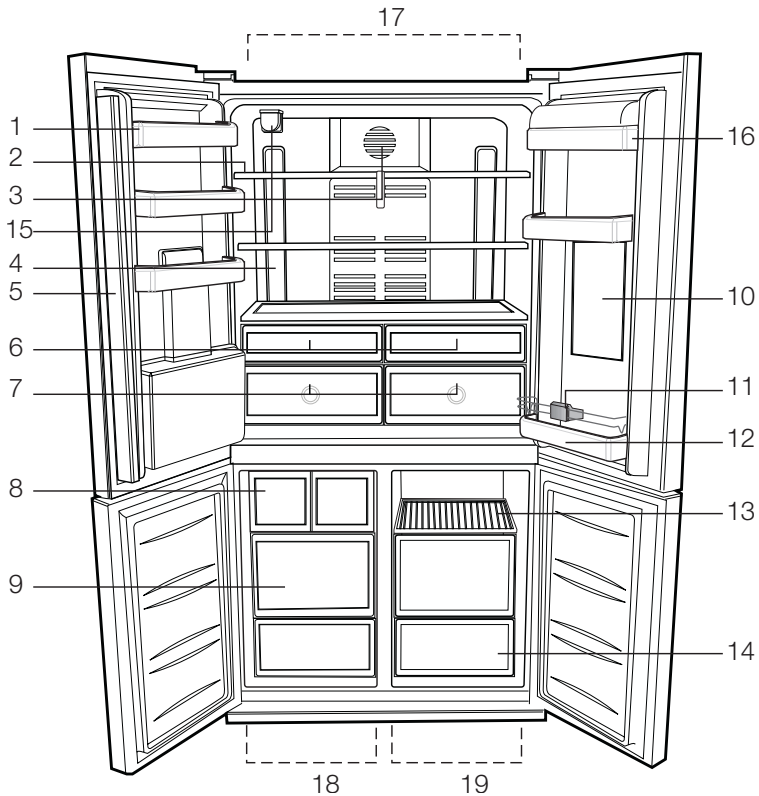
Dieses Produkt ist mit dem selektiven Entsorgungssymbol für elektrische und elektronische Altgeräte (WEEE) gekennzeichnet.

Das bedeutet, dass dieses Produkt gemäß der europäischen Richtlinie 2002/96/EC gehandhabt werden muss, um mit nur minimalen umweltspezifischen Auswirkungen recycelt oder zerlegt werden zu können. Weitere Informationen erhalten Sie von Ihren regionalen Behörden.

Elektronikprodukte, die nicht durch den selektiven Entsorgungsvorgang erfasst werden, stellen durch das Vorhandensein potenziell gefährlicher Substanzen umwelt- und gesundheitsrelevante Risiken dar.

1 Der Kühlschrank	3	5 Nutzung des Kühlschranks	17
		Anzeigefeld.....	17
		Tür offen-Alarm:	20
2 Wichtige Hinweise zu Ihrer Sicherheit	4	So lassen Sie die Zeit bis zum Filterwechsel automatisch berechnen	21
Bestimmungsgemäßer Gebrauch	4	Verschiebbare Ablagen	22
Bei Geräten mit Wasserspender:	6	Eierbehälter	22
Kinder – Sicherheit	6	Gemüsefach	22
HCA-Warnung	6	Kühlfach	22
Tipps zum Energiesparen	6	FlexiZone-Bereich	23
		Beweglicher Mittelbereich	23
3 Installation	7	Blaues Licht.....	23
Was Sie bei einem weiteren Transport Ihres Kühlschranks beachten müssen	7	Schubablagen	24
Bevor Sie Ihren Kühlschrank einschalten...7		Butter- & Käsefach	24
Elektrischer Anschluss.....7		So benutzen Sie den Wasserspender	24
Verpackungsmaterialien entsorgen	8	Tropfschale	24
Altgeräte entsorgen	8	Minibar	25
Aufstellung und Installation	8		
Gerade, ausbalancierte Aufstellung.....8		6 Reinigung und Pflege	26
Spalt zwischen den Türen anpassen	9	Schutz der Kunststoffflächen	26
Wasserfilter installieren	11		
Wasserschlauch an den Kühlschrank anschließen	11	7 Empfehlungen zur Problemlösung	27
Wasserleitung mit dem Wasserbehälter verbinden	12		
Wasserschlauch an den Kaltwasseranschluss anschließen	13		
Vor dem ersten Wasserspendereinsatz: ..15			
4 Vorbereitung	16		

1 Der Kühlschrank



- | | | | |
|-----|---------------------------|-----|---------------------|
| 1- | Kühlbereich-Türablagen | 11- | Flaschenhalter |
| 2- | Kühlbereich-Glasablagen | 12- | Flaschenablage |
| 3- | Leuchtenabdeckung | 13- | Lebensmittelablagen |
| 4- | Beleuchtung | 14- | Lebensmittelfächer |
| 5- | Beweglicher Mittelbereich | 15- | Wasserfilter |
| 6- | Kühlfach | 16- | Butter- & Käsefach |
| 7- | Gemüsefach | 17- | Kühlbereich |
| 8- | Eiswürfelmaschine | 18- | Tiefkühlbereich |
| 9- | Tiefkühlfächer | 19- | FlexiZone |
| 10- | Minibar | | |

! Abbildungen und Angaben in dieser Anleitung sind schematisch und können etwas von Ihrem Produkt abweichen. Falls Teile nicht zum Lieferumfang des erworbenen Produktes zählen, gelten sie für andere Modelle.

2 Wichtige Hinweise zu Ihrer Sicherheit

Bitte lesen Sie die folgenden Hinweise aufmerksam durch. Bei Nichtbeachtung kann es zu Verletzungen und Sachschäden kommen. In diesem Fall erlöschen auch sämtliche Garantie- und sonstigen Ansprüche.

Die reguläre Einsatzzeit des von Ihnen erworbenen Gerätes beträgt 10 Jahre. In diesem Zeitraum halten wir Ersatzteile für das Gerät bereit, damit es stets wie gewohnt arbeiten kann.

Bestimmungsgemäßer Gebrauch

Dieses Produkt ist für folgende Einsatzzwecke vorgesehen:

- Nutzung in Innenräumen; beispielsweise im Privathaushalt
 - Einsatz in Geschäftsräumen; beispielsweise in Geschäften und Büros
 - Verwendung auf Bauernhöfen oder in Beherbergungsbetrieben; beispielsweise in Hotels und Pensionen
- Das Gerät sollte nicht im Freien benutzt werden.

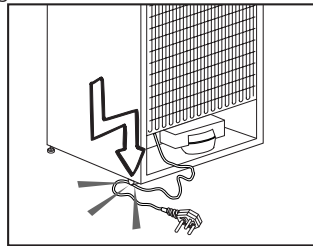
Allgemeine Hinweise zu Ihrer Sicherheit

- Wenn Sie das Gerät entsorgen möchten, wenden Sie sich am besten an den autorisierten Kundendienst. Hier erhalten Sie notwendige Informationen und erfahren, welche Stellen für die Entsorgung zuständig sind.
- Bei Problemen und Fragen zum Gerät wenden Sie sich grundsätzlich an den autorisierten Kundendienst. Ziehen Sie keine Dritten zu Rate, versuchen Sie nichts in Eigenregie, ohne den autorisierten Kundendienst davon in Kenntnis zu setzen.
- Bei Geräten mit Tiefkühlbereich: Der Verzehr von Speiseeis und Eiswürfeln unmittelbar nach der Entnahme aus dem Tiefkühlbereich ist nicht ratsam. (Dies kann zu Erfrierungen führen.)

- Bei Geräten mit Tiefkühlbereich: Bewahren Sie Getränke in Flaschen sowie Dosen niemals in Tiefkühlbereich auf. Diese platzen.
- Berühren Sie gefrorene Lebensmittel nicht mit der Hand; sie können festfrieren.
- Ziehen Sie den Netzstecker, bevor Sie den Kühlschrank reinigen oder abtauen.
- Verwenden Sie niemals Dampf- oder Sprühreiniger zum Reinigen oder Abtauen Ihres Kühlschranks. Die Dämpfe oder Nebel können in Kontakt mit stromführenden Teilen geraten und Kurzschlüsse oder Stromschläge auslösen.
- Missbrauchen Sie niemals Teile Ihres Kühlschranks (z. B. Tür) als Befestigungen oder Kletterhilfen.
- Nutzen Sie keine elektrischen Geräte innerhalb des Kühlschranks.
- Achten Sie darauf, den Kühlkreislauf keinesfalls mit Bohr- oder Schneidwerkzeugen zu beschädigen. Das Kühlmittel kann herausspritzen, wenn die Gaskanäle des Verdunsters, Rohr- und Schlauchleitungen oder Oberflächenversiegelungen beschädigt werden. Dies kann zu Hautreizungen und Augenverletzungen führen.
- Decken Sie keinerlei Belüftungsöffnungen des Kühlschranks ab.
- Elektrogeräte dürfen nur von autorisierten Fachkräften repariert werden. Reparaturen durch weniger kompetente Personen können erhebliche Gefährdungen des Anwenders verursachen.
- Sollten Fehler oder Probleme während der Wartung oder Reparaturarbeiten auftreten, so trennen Sie den Kühlschrank von der Stromversorgung, indem Sie die entsprechende Sicherung abschalten oder den Netzstecker ziehen.
- Ziehen Sie niemals am Netzkabel – fassen Sie stets den Stecker selbst.
- Lagern Sie hochprozentige alkoholische Getränke gut verschlossen und aufrecht.
- Lagern Sie niemals Behälter mit

- brennbaren Gasen (z. B. Spraydosen) oder explosive Dinge im Kühlschrank.
- Nutzen Sie keine mechanischen oder andere Hilfsmittel, um das Gerät abzutauen – es sei denn, solche Hilfsmittel werden ausdrücklich vom Hersteller empfohlen.
- Dieses Gerät darf nicht von Personen (einschließlich Kindern) benutzt werden, die unter körperlichen oder geistigen Einschränkungen leiden oder denen es an der nötigen Erfahrung im Umgang mit solchen Geräten mangelt. Eine Ausnahme kann gemacht werden, wenn solche Personen ständig beaufsichtigt werden und/oder gründlich in der Verwendung des Gerätes unterwiesen wurden.
- Nehmen Sie einen beschädigten Kühlschrank nicht in Betrieb. Wenden Sie sich im Zweifelsfall unbedingt zuerst an den Kundendienst.
- Die elektrische Sicherheit des Gerätes ist nur dann gewährleistet, wenn das hausinterne Erdungssystem den zutreffenden Normen entspricht.
- Setzen Sie das Gerät keinem Regen, Schnee, direktem Sonnenlicht oder Wind aus, da dies die elektrische Sicherheit gefährden kann.
- Damit es nicht zu Gefährdungen kommt, lassen Sie beschädigte Netzkabel unverzüglich vom Kundendienst austauschen.
- Stecken Sie während der Installation niemals den Netzstecker ein. Andernfalls kann es zu schweren bis tödlichen Verletzungen kommen.
- Der Kühlschrank darf nur zum Lagern von Lebensmitteln, keinesfalls für andere Zwecke verwendet werden.
- Das Typenschild mit technischen Daten befindet sich an der linken Innenwand des Kühlschranks.
- Schließen Sie den Kühlschrank niemals an Energiesparsysteme an; andernfalls kann es zu Beschädigungen kommen.
- Bei Geräten mit blauer Innenbeleuchtung: Schauen Sie niemals mit optischen Hilfsmitteln in das blaue Licht.

- Bei manuell gesteuerten Kühlschränken warten Sie nach Stromausfällen mindestens 5 Minuten ab, bevor Sie das Gerät neu starten.
- Falls Sie das Gerät an einen anderen Besitzer weitergeben, vergessen Sie nicht, die Bedienungsanleitung ebenfalls weiterzugeben.
- Achten Sie beim Transportieren des Kühlschranks darauf, dass das Netzkabel nicht beschädigt wird. Geknickte Kabel können sich entzünden. Stellen Sie niemals schwere Gegenstände auf dem Netzkabel ab. Berühren Sie den Netzstecker niemals mit feuchten oder gar nassen Händen.



- Stecken Sie den Netzstecker niemals in lose Steckdosen ein.
- Sprühen Sie aus Sicherheitsgründen niemals direkt Wasser auf die Innen- und Außenflächen des Gerätes.
- Nutzen Sie niemals leicht entzündliche Substanzen (z. B. Propangas) in der Nähe des Kühlschranks; es besteht Brand- und Explosionsgefahr.
- Stellen Sie niemals mit Wasser oder anderen Flüssigkeiten gefüllte Gefäße auf dem Kühlschrank ab; es besteht Brand- und Stromschlaggefahr.
- Überladen Sie den Kühlschrank nicht mit übermäßig vielen Lebensmitteln. Bei Überladung können Lebensmittel beim Öffnen der Tür herausfallen, Sachschäden und Verletzungen verursachen. Stellen Sie niemals Gegenstände auf dem Kühlschrank ab; solche Gegenstände können beim Öffnen und Schließen der Kühlschranktür herabfallen.
- Materialien, die bei exakt festgelegten Temperaturen gelagert werden müssen (beispielsweise Impfstoffe,

wärmeempfindliche Arznei, wissenschaftliche Proben, usw.) sollten nicht im Kühlschrank gelagert werden.

- Ziehen Sie den Netzstecker, wenn Sie den Kühlschrank längere Zeit nicht nutzen. Andernfalls können Brände durch defekte Netzkabel nicht gänzlich ausgeschlossen werden.
- Die Kontakte des Netzsteckers sollten regelmäßig gereinigt werden; andernfalls besteht Brandgefahr.
- Die Steckerkontakte sollten regelmäßig gereinigt werden; andernfalls besteht Brandgefahr.
- Der Kühlschrank kann sich bewegen, falls die Füße nicht richtig auf dem Boden aufliegen. Stellen Sie die verstellbaren Füße so ein, dass der Kühlschrank absolut stabil steht und sich somit nicht bewegen kann.
- Tragen Sie den Kühlschrank nicht am Türgriff; der Griff kann abbrechen.
- Wenn Sie das Gerät neben einem anderen Kühlgerät aufstellen, achten Sie darauf, dass zwischen den Geräten mindestens 8 cm Platz verbleiben. Andernfalls kann sich Feuchtigkeit an den Seitenwänden niederschlagen.

Bei Geräten mit Wasserspender:

Der Wasserdruck sollte zwischen 1 und 8 bar liegen.

- Nur Trinkwasser verwenden.

Kinder – Sicherheit

- Bei abschließbaren Türen bewahren Sie den Schlüssel außerhalb der Reichweite von Kindern auf.
- Kinder müssen stets beaufsichtigt werden, damit sie nicht mit dem Gerät spielen.

HCA-Warnung

Falls Ihr Gerät mit dem Kühlmittel R600a arbeitet:

Dieses Gas ist leicht entflammbar.

Achten Sie also darauf, Kühlkreislauf und Leitungen während Betrieb und Transport nicht zu beschädigen. Bei Beschädigungen halten Sie das Produkt von potenziellen Zündquellen (z. B. offenen Flammen) fern und sorgen für eine gute Belüftung des Raumes, in dem das Gerät aufgestellt wurde.

Diese Warnung können Sie ignorieren, wenn Ihr Gerät mit dem Kühlmittel R134a arbeitet.

Das verwendete Kühlmittel wird auf dem Typenschild an der linken Innenseite des Kühlschranks angegeben.

Entsorgen Sie das Gerät niemals durch Verbrennen.

Tipps zum Energiesparen

- Halten Sie die Kühlschranktüren nur möglichst kurz geöffnet.
- Lagern Sie keine warmen Speisen oder Getränke im Kühlschrank ein.
- Überladen Sie den Kühlschrank nicht; die Luft muss frei zirkulieren können.
- Stellen Sie den Kühlschrank nicht im direkten Sonnenlicht oder in der Nähe von Wärmequellen wie Öfen, Spülmaschinen oder Heizkörpern auf.
- Achten Sie darauf, Ihre Lebensmittel in verschlossenen Behältern aufzubewahren.
- Bei Geräten mit Tiefkühlbereich: Sie können noch mehr Lebensmittel einlagern, wenn Sie die Ablagen oder Schubladen aus dem Tiefkühlbereich herausnehmen. Die Energieverbrauchswerte Ihres Kühlschranks wurden bei maximaler Beladung mit herausgenommenen Ablagen oder Schubladen ermittelt. Ansonsten ist es Ihnen natürlich freigestellt, die Ablagen oder Schubladen zu verwenden.
- Wenn Sie gefrorene Lebensmittel im Kühlbereich auftauen, sparen Sie

3 Installation

- i** Bitte beachten Sie, dass der Hersteller nicht haftet, wenn Sie sich nicht an die Informationen und Anweisungen der Bedienungsanleitung halten.

Was Sie bei einem weiteren Transport Ihres Kühlschranks beachten müssen

1. Der Kühlschrank muss vor dem Transport geleert und gesäubert werden.
2. Befestigen und sichern Sie Ablagen, Zubehör, Gemüsefach, etc. mit Klebeband, bevor Sie das Gerät neu verpacken.
3. Die Verpackung muss mit kräftigem Klebeband und stabilen Seilen gesichert, die auf der Verpackung aufgedruckten Transporthinweise müssen beachtet werden.

i Bitte nicht vergessen:

Jeder wiederverwendete Artikel stellt eine unverzichtbare Hilfe für unsere Natur und unsere Ressourcen dar.

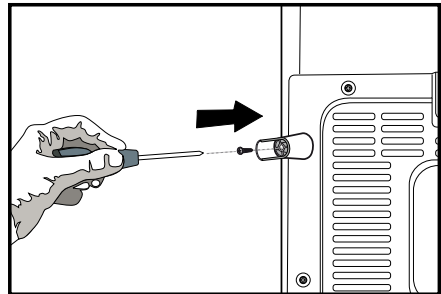
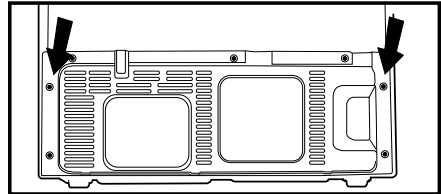
Wenn Sie zur Wiederverwertung von Verpackungsmaterialien beitragen möchten, können Sie sich bei Umweltschutzvereinigungen und Ihren Behörden vor Ort informieren.

Bevor Sie Ihren Kühlschrank einschalten

Bevor Sie Ihren Kühlschrank in Betrieb nehmen, beachten Sie bitte Folgendes:

1. Ist der Innenraum des Kühlschranks trocken, kann die Luft frei an der Rückseite zirkulieren?
2. Setzen Sie die beiden Kunststoffkeile wie in der folgenden Abbildung gezeigt an der Abdeckung der hinteren Belüftungsöffnungen ein. Dazu drehen Sie die Schrauben aus dem Gerät heraus und drehen stattdessen die mitgelieferten Schrauben ein.

Die Kunststoffkeile sorgen für den richtigen Abstand zwischen Kühlschrank und Wand - und damit für die richtige Luftzirkulation.



3. Reinigen Sie das Innere des Kühlschranks wie im Abschnitt „Wartung und Reinigung“ beschrieben.
4. Stecken Sie den Netzstecker des Kühlschranks in eine Steckdose. Bei geöffneter Tür schaltet sich das Licht im Innenraum ein.
5. Sie hören ein Geräusch, wenn sich der Kompressor einschaltet. Die Flüssigkeiten und Gase im Kühlsystem können auch leichte Geräusche erzeugen, wenn der Kompressor nicht läuft. Dies ist völlig normal.
6. Die Vorderkanten des Kühlgerätes können sich warm anfühlen. Dies ist normal. Diese Bereiche wärmen sich etwas auf, damit sich kein Kondenswasser bildet.

Elektrischer Anschluss

Schließen Sie Ihren Kühlschrank an eine geerdete (Schuko-) Steckdose an. Diese

Steckdose muss mit einer passenden Sicherung abgesichert werden.

Wichtig:

- ⚠ Der Anschluss muss gemäß lokaler Vorschriften erfolgen.
- ⚠ Der Netzstecker muss nach der Installation frei zugänglich bleiben.
- ⚠ Informationen zur richtigen Spannung und Sicherungsdimensionierung finden Sie im Abschnitt „Technische Daten“.
- ⚠ Die angegebene Spannung muss mit Ihrer Netzspannung übereinstimmen.
- ⚠ Zum Anschluss dürfen keine Verlängerungskabel oder Mehrfachsteckdosen verwendet werden.
- ⚠ Ein beschädigtes Netzkabel muss unverzüglich durch einen qualifizierten Elektriker ausgetauscht werden.
- ⚠ Das Gerät darf vor Abschluss der Reparaturen nicht mehr betrieben werden! Es besteht Stromschlaggefahr!

Verpackungsmaterialien entsorgen

- ⚠ Das Verpackungsmaterial kann eine Gefahr für Kinder darstellen. Halten Sie Verpackungsmaterialien von Kindern fern oder entsorgen Sie das Verpackungsmaterial gemäß den gültigen Entsorgungsbestimmungen. Entsorgen Sie Verpackungsmaterialien nicht mit dem regulären Hausmüll.

Die Verpackung Ihres Gerätes wurde aus recyclingfähigen Materialien hergestellt.

Altgeräte entsorgen

Entsorgen Sie Altgeräte auf umweltfreundliche Weise.

- ⚠ Bei Fragen zur richtigen Entsorgung wenden Sie sich bitte an Ihren Händler, an eine Sammelstelle oder an Ihre Stadtverwaltung.
- ⚠ Bevor Sie das Gerät entsorgen, schneiden Sie den Netzstecker ab und machen die Türverschlüsse (sofern vorhanden) unbrauchbar, damit Kinder nicht in Gefahr gebracht werden.

Aufstellung und Installation

⚠ Achtung: Stecken Sie während der Installation niemals den Netzstecker ein. Andernfalls kann es zu schweren bis tödlichen Verletzungen kommen.

⚠ Falls die Tür des Raumes, in dem der Kühlschrank aufgestellt werden soll, nicht breit genug ist, wenden Sie sich an den autorisierten Kundendienst, lassen die Kühlschranktüren demontieren und befördern das Gerät seitlich durch die Tür.

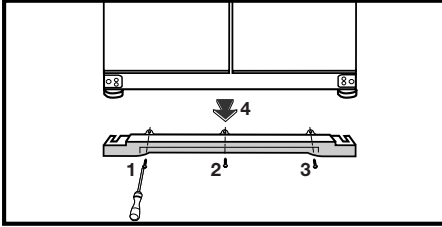
1. Stellen Sie Ihren Kühlschrank an einer gut erreichbaren Stelle auf.
2. Platzieren Sie den Kühlschrank nicht in der Nähe von Wärmequellen oder dort, wo er Feuchtigkeit oder direktem Sonnenlicht ausgesetzt ist.
3. Damit das Gerät richtig arbeiten kann, müssen Sie ausreichend Platz um das Gerät herum freilassen, damit eine ordentliche Belüftung gewährleistet ist. Wenn Sie den Kühlschrank in einer Nische aufstellen, müssen Sie einen Abstand von mindestens 5 cm zur Decke und 5 cm zu den Wänden einhalten. Wenn Sie das Gerät auf einem Teppich oder Teppichboden aufstellen, müssen Sie einen Abstand von mindestens 2,5 cm zum Boden einhalten.
4. Stellen Sie Ihren Kühlschrank auf einem ebenen Untergrund auf, damit er nicht wackelt.
5. Stellen Sie den Kühlschrank nicht an Stellen auf, an denen Temperaturen von weniger als 10 °C herrschen.

Gerade, ausbalancierte

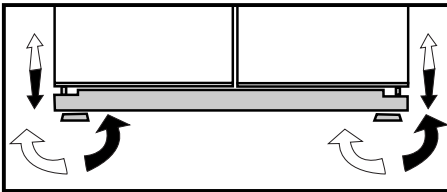
Aufstellung

⚠ Wenn Ihr Kühlschrank nicht absolut gerade steht:

⚠ Ziehen Sie zunächst den Netzstecker. Beim Ausbalancieren muss der Netzstecker gezogen sein. Es besteht Stromschlaggefahr!



1: Drehen Sie zunächst die Schrauben an der Belüftungsöffnungabdeckung wie in der Abbildung gezeigt heraus. Sie können den Kühlschrank – wie in der Abbildung gezeigt – durch Drehen der Frontfüße ausbalancieren. Wenn Sie in Richtung des schwarzen Pfeils drehen, senkt sich die Ecke, an der sich der Fuß befindet. Beim Drehen in Gegenrichtung wird die Ecke angehoben. Diese Arbeit fällt erheblich leichter, wenn ein Helfer das Gerät etwas anhebt.

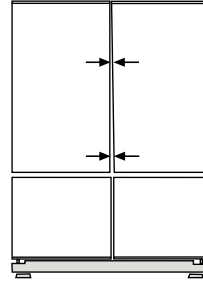


2. Wenn das Gerät absolut gerade steht, bringen Sie die Belüftungsöffnungabdeckung wieder an und fixieren sie mit Schrauben.

3. Drehen Sie die Schrauben an der unteren Belüftungsöffnungabdeckung mit einem Kreuzkopfschraubendreher heraus.

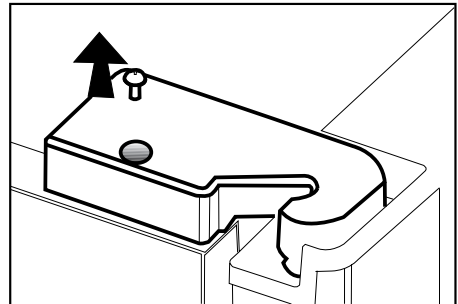
Spalt zwischen den Türen

anpassen

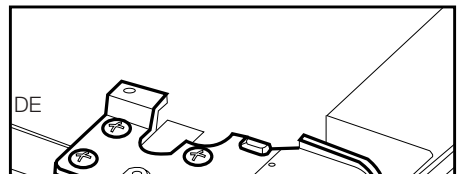
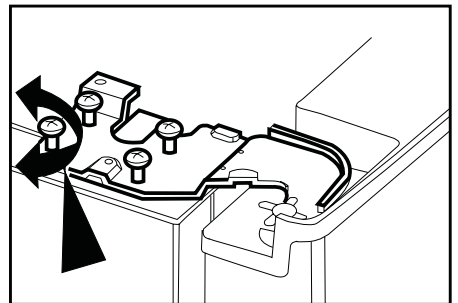


i Sie können den Spalt zwischen den Kühlbereichtüren wie in den Abbildungen gezeigt anpassen.

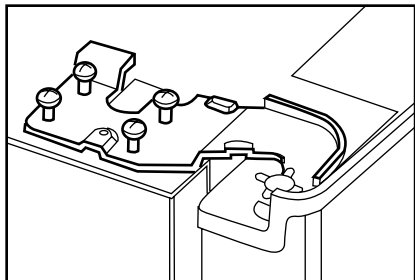
Beim Einstellen der Türhöhe sollten die Türablagen leer sein.



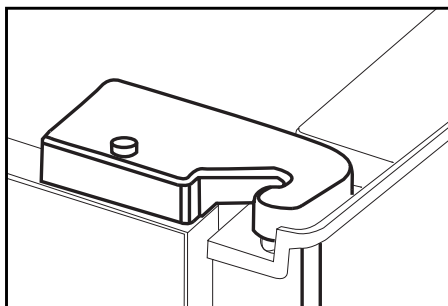
i Drehen Sie mit einem Schraubenzieher die Schraube am oberen Türscharnier der einzustellenden Tür heraus.



i Stellen Sie die Tür nach Lösen der Schrauben nach Wunsch ein.



i Fixieren Sie die eingestellte Tür durch Anziehen der Schrauben; achten Sie darauf, dass sich die Tür dabei nicht bewegt.



i Setzen Sie die Scharnierabdeckung wieder auf, ziehen Sie die Schraube an.

Wasserfilter installieren

(bei bestimmten Modellen)

Ihr Kühlgerät kann über zwei unterschiedliche Wasseranschlüsse mit Frischwasser versorgt werden: Über die normale Kaltwasserleitung oder über einen Wasserbehälter.

Installationsvoraussetzungen

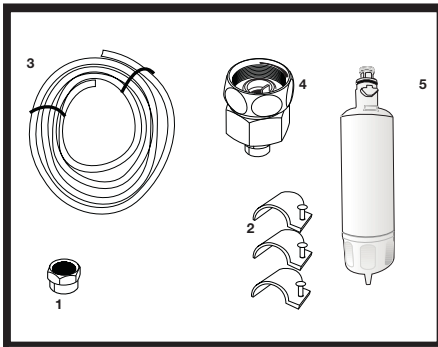
Wenn Sie einen Wasserbehälter nutzen, ist eine Pumpe eine gute Idee.

Überzeugen Sie sich davon, dass die nachstehenden Teile im Lieferumfang Ihres Gerätes enthalten sind.

1. Anschlussstück zum Anschluss der Wasserleitung an die Rückwand des Gerätes. (Falls dies nicht passen sollte, wenden Sie sich bitte an den autorisierten Kundendienst in Ihrer Nähe.)
2. 2 Rohrclips (zur Fixierung des Wasserschlauchs)

Hinweis: Da die oben erwähnten Teile bei Verwendung eines Wasserbehälters nicht erforderlich sind, sind diese Teile bei Ihrem Gerät eventuell nicht vorhanden.

3. Wasserschlauch, 5 m (Durchmesser 0,635 mm oder 1/4 Zoll)
4. Kaltwasseranschlussventil mit Maschenfilter (Anschlussadapter)
5. Wasserfilter oder externer Filter, zum Einsetzen in die Halterung im Kühlbereich.



Entscheiden Sie sich zunächst, wo der externe Filter angebracht werden soll. (Dies gilt nur, wenn ein Filter außerhalb des Kühlschranks verwendet wird.) Anschließend bestimmen Sie den Abstand zwischen Filter und Kühlschrank

und legen die erforderliche Schlauchlänge vom Filter bis zum Wassereinlass des Kühlschranks fest.

Der Wasserfilter muss wie in der Abbildung gezeigt aufrecht gehalten werden. Achten Sie darauf, dass der Filter richtig zwischen Wassereinlass und Wasserauslass angebracht wird.

Die ersten 3 – 4 Gläser Wasser nach Anbringen des Filters sollten nicht getrunken werden.

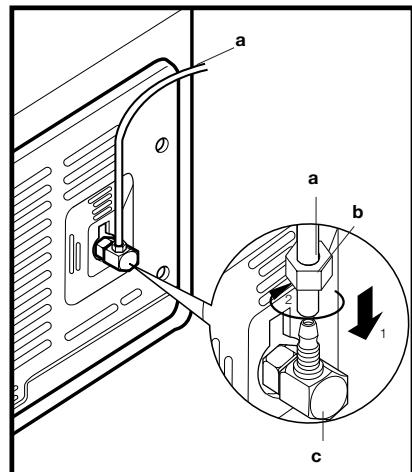
Wasserschlauch an den Kühlschrank anschließen

1. Nachdem Sie das Anschlussstück am Wasserschlauch angebracht haben, führen Sie den Wasserschlauch in das Einlassventil am Kühlschrank ein, indem Sie es fest nach unten drücken.

2. Fixieren Sie das Anschlussstück wie in der Abbildung gegenüber gezeigt durch Zusammendrücken des Einlassventils am Kühlschrank per Hand.

(a: Wasserleitung, b: Anschlussstück, c: Ventil)

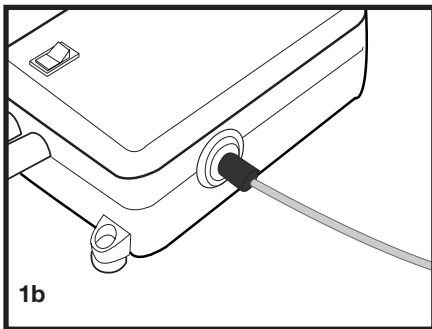
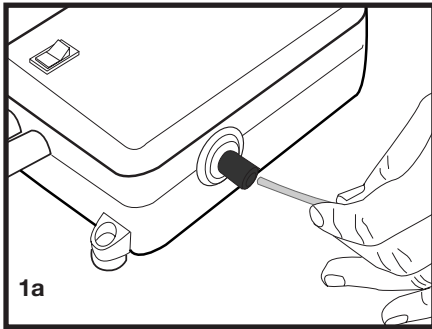
i Hinweis 1: Um Wasserdichtigkeit erreichen, ist es gewöhnlich nicht nötig, das Anschlussstück mit einem Werkzeug fest anzuziehen. Falls dennoch Wasser austritt, ziehen Sie das Anschlussstück mit einem Schlüssel oder einer Zange an.



Wasserleitung mit dem Wasserbehälter verbinden (bei bestimmten Modellen)

Wenn Sie den Kühlschrank über einen Wasserbehälter mit Wasser versorgen möchten, benötigen Sie eine Pumpe. Schließen Sie zunächst ein Ende des Wasserschlauches an den Kühlschrank an (siehe vorherige Seite), führen Sie dann die nachstehenden Schritte aus.

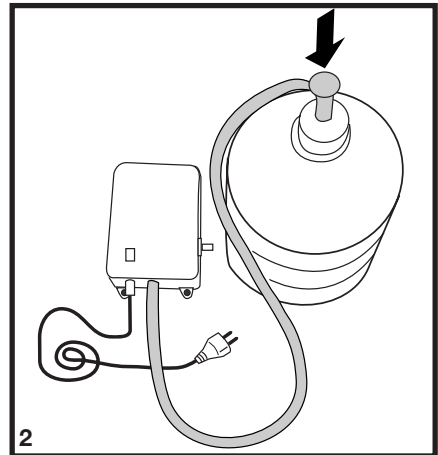
1. Schließen Sie die Verbindung durch Einschieben des Schlauchendes in die Einlassöffnung der Pumpe ab; schauen Sie sich dazu die Abbildung an.



2. Fixieren Sie das Ende des Wasserschlauches wie in der Abbildung gezeigt im Behälter.
3. Nach dem Anschluss stellen Sie die Stromversorgung her und schalten die Pumpe ein.

Warten Sie nach dem Einschalten der Pumpe noch 2 bis 3 Minuten ab.

- i** Schauen Sie beim Anschluss der Pumpe auch in die jeweilige Bedienungsanleitung.
- i** Beim Einsatz eines Wasserbehälters wird kein Wasserfilter benötigt.
- i** Eine Pumpe muss eingesetzt werden, wenn Sie einen Wasserbehälter verwenden.



Wasserschlauch an den Kaltwasseranschluss anschließen

(bei bestimmten Modellen)

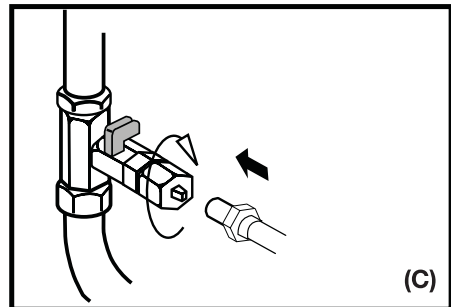
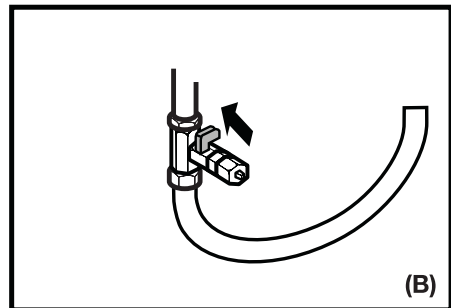
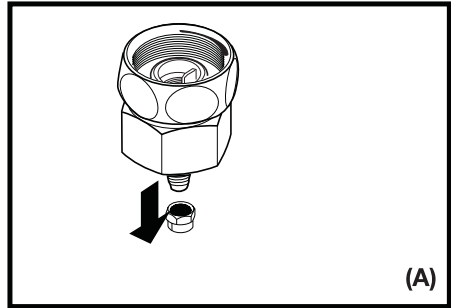
Wenn Sie Ihren Kühlschrank an die Wasserleitung anschließen möchten, müssen Sie ein handelsübliches 1/2 Zoll-Ventilstück an die Kaltwasserleitung ihres Hauses anschließen. Falls dieser Anschluss nicht vorhanden oder Sie sich nicht sicher sein sollten, ziehen Sie bitte einen versierten Klempner hinzu.

1. Lösen Sie das Anschlussstück vom Anschlussadapter. (Abbildung A)
2. Bringen Sie den Anschlussadapter wie in der Abbildung gezeigt am 1/2 Zoll-Anschluss an. (Abbildung B)
3. Nach Anschluss der Wasserleitung an das Anschlussstück bringen Sie dieses wie in der Abbildung gezeigt am Anschlussadapter und am Wasseranschluss an. (Abbildung C)
4. Ziehen Sie das Anschlussstück mit der Hand an. Falls dennoch Wasser austritt, ziehen Sie das Anschlussstück mit einem Schlüssel oder einer Zange an.

⚠ Achtung: Fixieren Sie den Wasserschlauch an geeigneten Stellen mit den mitgelieferten Rohrclips, damit sich der Schlauch nicht verschieben oder aus Versehen lösen kann.

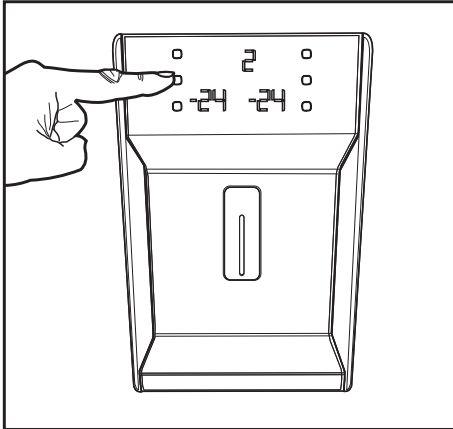
⚠ Achtung: Achten Sie nach dem Aufdrehen des Ventils darauf, dass kein Wasser an den beiden Verbindungsstellen des Wasserschlauches austritt. Falls Wasser austreten sollte, schließen Sie das Ventil sofort und ziehen sämtliche Verbindungen mit einem Schlüssel oder einer Zange an.

⚠ Achtung: Sorgen Sie dafür, dass ein 1/2 Zoll-Standardanschluss an der Kaltwasserleitung zur Verfügung steht und der Anschluss komplett zugedreht ist.

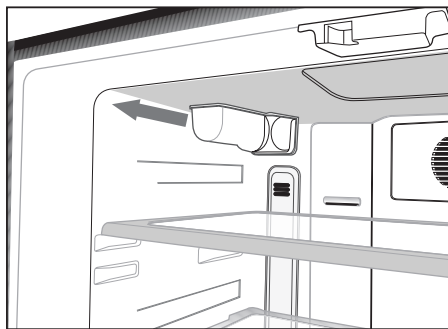


Zum Einsetzen des Wasserfilters halten Sie sich an die nachstehenden Anweisungen und beachten die Abbildungen:

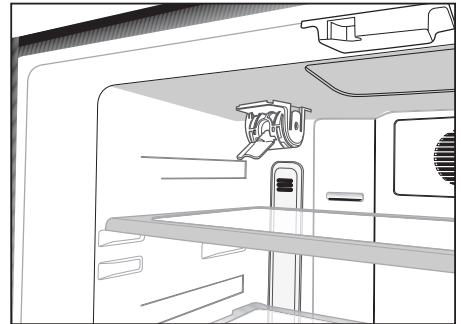
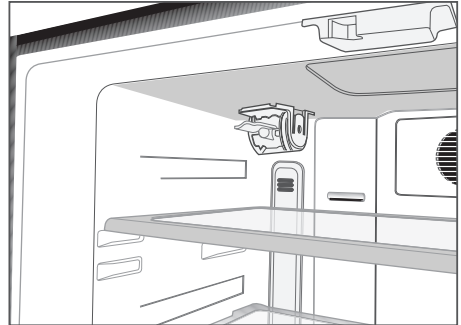
1. Drücken Sie die Kein Eis-Taste am Display.



2. Nehmen Sie die Filterabdeckung im Kühlbereich durch Ziehen nach vorne heraus.



3. Lösen Sie die Verzweigungsabdeckung durch Drehen nach unten.



⚠ Achtung: Achten Sie darauf, dass der Kein Eis-Modus aktiv ist, bevor Sie die Verzweigungsabdeckung abnehmen.
Hinweis: Nach dem Abnehmen der Abdeckung können ein paar Wassertropfen austreten; dies ist völlig normal.

4. Nehmen Sie den Deckel vom Wasserfilter ab, platzieren Sie die Komponente wie in der Abbildung gezeigt und drehen Sie sie zum Fixieren nach oben.
5. Heben Sie den Kein Eis-Modus wieder auf, indem Sie die Kein Eis-Taste am Bedienfeld noch einmal drücken.

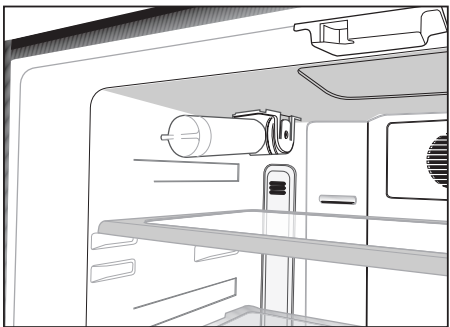
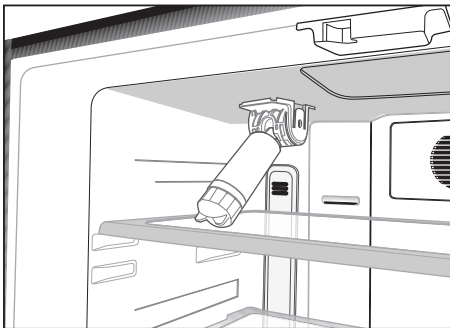
Der Wasserfilter sollte alle sechs Monate ausgetauscht werden.

Sofern der Zeitpunkt zum Auswechseln des Filters automatisch berechnet wurde und Sie eine entsprechende Meldung erhalten, lesen Sie bitte den Abschnitt „Filternutzungszeit automatisch berechnen“.

Wenn Sie den Wasserfilter austauschen oder nicht weiter verwenden möchten, müssen Sie ihn wie in der Abbildung gezeigt entfernen; die Verzweigungsabdeckung muss angebracht werden. Achten Sie darauf, dass das Gerät vor dem Entnehmen auf Kein Eis eingestellt ist.

⚠ Achtung: Der Wasserfilter entfernt Fremdkörper aus dem Wasser. Er reinigt das Wasser nicht von Mikroorganismen.

⚠ Achtung: Die Kein Eis-Taste muss grundsätzlich gedrückt werden, bevor Sie den Wasserfilter austauschen oder die Verzweigungsabdeckung installieren.



Vor dem ersten Wasserspendereinsatz:

- i** Der Wasserdruck muss mindestens 1 bar betragen.
- i** Der Wasserdruck darf 8 bar nicht überschreiten.
- i** Bei einem Wasserdruck unterhalb 1 bar und beim Einsatz eines Wasserbehälters ist eine Pumpe erforderlich.
- i** Das Wassersystem des Kühlschranks muss an den Kaltwasseranschluss angeschlossen werden. Es darf nicht mit dem Warmwasseranschluss verbunden werden.
- i** Nach der ersten Inbetriebnahme des Kühlschranks wird kein Wasser ausgegeben. Dies liegt daran, dass sich Luft im System befindet. Um sämtliche Luft aus dem System zu entfernen, halten Sie den Spenderhebel etwa 1 Minute lang gedrückt, bis Wasser aus dem Spender austritt. Zu Beginn kann der Wasserfluss noch etwas unregelmäßig sein. Der Wasserfluss stabilisiert sich, wenn sich keine Luft mehr im System befindet.
- i** Nach dem ersten Einschalten vergehen etwa 12 Stunden, bis kaltes Wasser ausgegeben wird.
- i** Damit der Eis-/Wasserspender problemlos funktioniert, muss der Wasserdruck zwischen 1 und 8 bar liegen. Als Richtwert: Ein Wasserglas (100 ml) wird in etwa 10 Sekunden gefüllt.
- i** Die ersten 10 Gläser Wasser sollten nicht getrunken werden.
- i** Die ersten 30 Eiswürfel aus dem Spender dürfen nicht verzehrt werden.
- i** Nutzen Sie immer den Wasserfilter, wenn Sie keinen Wasserbehälter einsetzen.

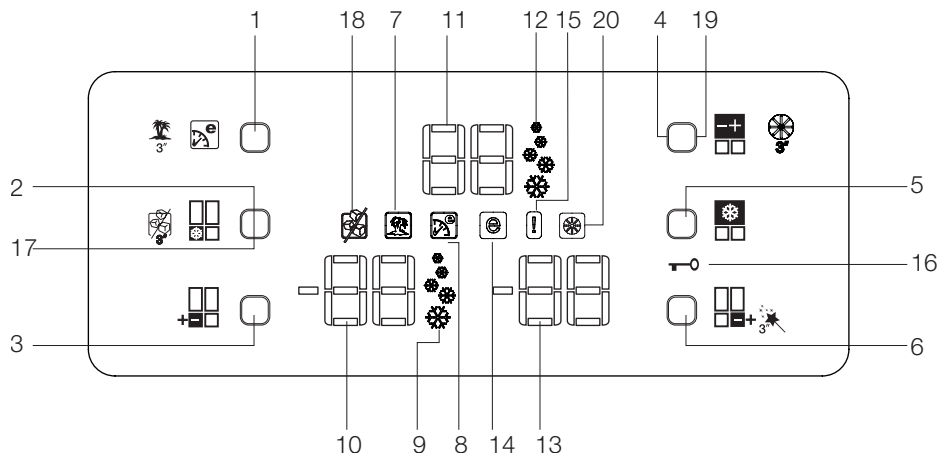
4 Vorbereitung

- i** Ihr Kühlschrank sollte mindestens 30 cm von Hitzequellen wie Kochstellen, Öfen, Heizungen, Herden und ähnlichen Einrichtungen aufgestellt werden. Halten Sie mindestens 5 cm Abstand zu Elektroöfen ein, vermeiden Sie die Aufstellung im direkten Sonnenlicht.
- i** Die Zimmertemperatur des Raumes, in dem der Kühlschrank aufgestellt wird, sollte mindestens 10 °C betragen. Im Hinblick auf den Wirkungsgrad ist der Betrieb des Kühlschranks bei geringerer Umgebungstemperatur nicht ratsam.
- i** Sorgen Sie dafür, dass das Innere Ihres Kühlschranks gründlich gereinigt wird.
- i** Falls zwei Kühlschränke nebeneinander aufgestellt werden sollen, achten Sie darauf, dass sie mindestens 2 cm voneinander entfernt platziert werden.
- i** Wenn Sie den Kühlschrank zum ersten Mal in Betrieb nehmen, halten Sie sich bitte an die folgenden Anweisungen für die ersten sechs Betriebsstunden.
 - Die Kühlschranktür sollte nicht zu häufig geöffnet werden.
 - Der Kühlschrank muss zunächst vollständig leer arbeiten.
 - Ziehen Sie nicht den Netzstecker. Falls der Strom ausfallen sollte, beachten Sie die Warnhinweise im Abschnitt „Empfehlungen zur Problemlösung“.
- i** Originalverpackung und Schaumstoffmaterialien sollten zum zukünftigen Transport des Gerätes aufbewahrt werden.

5 Nutzung des Kühlschranks

Anzeigefeld

Über das Sensor-Anzeigefeld können Sie die Temperatur einstellen, ohne die Tür Ihres Kühlgerätes öffnen zu müssen. Zur Temperatúrauswahl berühren Sie die passenden Tasten einfach mit dem Finger.



- | | |
|---|--|
| 1. Öko-Extra-/Urlaubstaste | 11. Kühlbereichtemperaturanzeige |
| 2. Schnellgefriertaste | 12. Schnellkühlanzeige |
| 3. Tiefkühlbereichtemperatureinstelltaste | 13. FlexiZone-Temperaturanzeige |
| 4. Kühlbereichtemperatureinstelltaste | 14. Ökomodus-Anzeige |
| 5. Schnellkühltaste | 15. Fehlerstatusanzeige |
| 6. FlexiZone-Temperatureinstelltaste | 16. Tastensperre-Anzeige |
| 7. Urlaubsfunktionsanzeige | 17. Kein Eis-Taste |
| 8. Öko-Extra-Anzeige | 18. Kein Eis-Anzeige |
| 9. Schnellgefrieranzeige | 19. Filterwechselanzeige abstellen-Taste |
| 10. Tiefkühlbereichtemperaturanzeige | 20. Filterwechselanzeige |

1. Öko-Extra-/Urlaubstaste

Zum Einschalten der Öko Extra-Funktion berühren Sie diese Taste nur kurz. Durch Gedrückthalten dieser Taste (3 Sekunden lang) schalten Sie die Urlaubsfunktion ein. Zum Abschalten der ausgewählten Funktion berühren Sie die Taste noch einmal.

2. Schnellgefriertaste

Zum Einschalten der Schnellgefrierfunktion berühren Sie diese Taste nur kurz. Zum Abschalten der ausgewählten Funktion berühren Sie die Taste noch einmal.

3. Tiefkühlbereichtemperatureinstelltaste

Durch mehrmaliges Drücken dieser Taste stellen Sie die Tiefkühlbereichtemperatur auf -18 °, -20 °, -22 °, -24 °, -18 °C ... ein. Stellen Sie die Temperatur des Tiefkühlbereiches mit dieser Taste ein.

4. Kühlbereichtemperatureinstelltaste

Durch mehrmaliges Drücken dieser Taste stellen Sie die Kühlbereichtemperatur auf 8 °, 6 °, 4 °, 2 °, 8 °C ... ein. Stellen Sie die Temperatur des Kühlbereiches mit dieser Taste ein.

5. Schnellkühltaste

Zum Einschalten der Schnellkühlfunktion berühren Sie diese Taste nur kurz. Zum Abschalten der ausgewählten Funktion berühren Sie die Taste noch einmal.

6. FlexiZone-Temperatureinstelltaste

Den FlexiZone-Bereich können Sie entweder zum Kühlen oder zum Tiefkühlen verwenden. Durch Gedrückthalten dieser Taste (3 Sekunden lang) stellen Sie den FlexiZone-Bereich entweder auf Kühlen oder Tiefkühlen um. Per Vorgabe ist dieser Bereich auf Tiefkühlen eingestellt.

Wenn der FlexiZone-Bereich auf Tiefkühlen eingestellt ist, ändert sich die Temperaturvorgabe bei jedem Tastendruck wie folgt: -18, -20, -22, -24, -18, ... Wenn der FlexiZone-Bereich auf Kühlen eingestellt ist, ändert sich die Temperaturvorgabe bei jedem Tastendruck wie folgt: 10, 8, 6, 4, 2, 0, -6, ...

7. Urlaubsfunktionanzeige

Zeigt an, dass die Urlaubsfunktion aktiv ist. Wenn diese Funktion aktiv ist, erscheint „-“ in der Anzeige zum Kühlbereich – der Kühlbereich wird nicht mehr gekühlt. Die restlichen Bereiche werden weiterhin mit den vorgegebenen Temperaturen gekühlt.

Zum Abschalten dieser Funktion berühren Sie die Taste noch einmal.

8. Öko-Extra-Anzeige

Zeigt an, dass die Öko Extra-Funktion aktiv ist. Wenn diese Funktion aktiv ist, erkennt Ihr Kühlgerät die Zeiten, in denen Sie das Kühlgerät besonders selten nutzen und passt die Kühlungsleistung in diesen Zeiträumen entsprechend an. In den Perioden besonders energiesparender Kühlung leuchtet die Ökomodus-Anzeige auf.

Zum Abschalten dieser Funktion berühren Sie die Taste noch einmal.

9. Schnellgefrieranzeige

Zeigt an, dass die Schnellgefrieren-Funktion aktiv ist. Diese Funktion nutzen Sie, wenn Sie frische Lebensmittel in das Tiefkühlfach geben oder Eis benötigen. Wenn diese Funktion aktiv ist, arbeitet Ihr Kühlgerät eine bestimmte Zeit lang ununterbrochen.

Zum Abschalten dieser Funktion berühren Sie die Taste noch einmal.

10. Tiefkühlbereichstemperaturanzeige

Zeigt die für den Tiefkühlbereich eingestellte Temperatur an.

11. Kühlbereichstemperaturanzeige

Zeigt die für den Kühlbereich eingestellte Temperatur an.

12. Schnellkühlanzeige

Zeigt an, dass die Schnellkühlfunktion aktiv ist. Diese Funktion nutzen Sie, wenn Sie frische Lebensmittel in das Kühlfach geben oder Ihre Lebensmittel besonders schnell kühlen möchten. Wenn diese Funktion aktiv ist, arbeitet Ihr Kühlgerät 2 Stunden lang ununterbrochen.

Zum Abschalten dieser Funktion berühren Sie die Taste noch einmal.

13. FlexiZone-Temperaturanzeige

Zeigt die für den FlexiZone-Bereich voreingestellte Temperatur an.

14. Ökomodus-Anzeige

Zeigt an, dass das Kühlgerät besonders energiesparend arbeitet. Kühlbereichstemperatur

Diese Anzeige leuchtet auf, wenn die Temperatur auf -18 °C eingestellt ist oder das Gerät im Zuge der Öko Extra-Funktion besonders ökonomisch arbeitet.

15. Fehlerstatusanzeige

Diese Anzeige wird aktiv, wenn Ihr Kühlgerät nicht effektiv funktioniert oder ein Sensor ausgefallen sein sollte. Wenn diese Anzeige aktiv ist, zeigt die Tiefkühlbereichstemperaturanzeige „E“, die Kühlbereichstemperaturanzeige Zahlen an; z. B. „1, 2, 3, ...“. Anhand dieser Zahlen kann der Kundendienst wertvolle Informationen über den jeweiligen Fehler gewinnen.

16. Tastensperre-Anzeige

Diese Funktion nutzen Sie, wenn die Temperatureinstellungen Ihres Kühlgerätes unverändert bleiben sollen. Zum Einschalten dieser Funktion halten Sie die Schnellkühl Taste und die FlexiZone-Temperatureinstelltaste gemeinsam 3 Sekunden lang gedrückt.

Zum Abschalten dieser Funktion drücken Sie die entsprechenden Tasten noch einmal.

17. Kein Eis-Taste

Wenn Ihr Kühlschrank kein Eis mehr bereiten soll, halten Sie diese Taste 3 Sekunden lang gedrückt. Bei abgeschalteter Eisbereitung gelangt kein Wasser mehr in das Eisfach. Allerdings kann noch etwas Eis im Eisfach zurückbleiben, das sich leicht entnehmen lässt. Wenn Ihr Kühlschrank wieder Eis bereiten soll, halten Sie diese Taste erneut 3 Sekunden lang gedrückt.

18. Kein Eis-Anzeige

Diese Funktion nutzen Sie, wenn Ihr Kühlschrank kein Eis bereiten soll. Dazu halten Sie die Kein Eis-Taste 3 Sekunden lang gedrückt.

19. Filterwechselanzeige abstellen-Taste

Der Filter Ihres Kühlschranks muss alle 6 Monate ausgetauscht werden. Diese Zeit berechnet das Kühlgerät automatisch – die Filterwechselanzeige leuchtet auf, wenn es Zeit ist, den Filter zu wechseln. Nach dem Auswechseln des Filters halten Sie die Filterwechselanzeige abstellen-Taste 3 Sekunden lang gedrückt, damit die Berechnung wieder von neuem beginnen kann.

20. Filterwechselanzeige abstellen

Die Filterwechselanzeige leuchtet auf, wenn der Filter gewechselt werden muss.

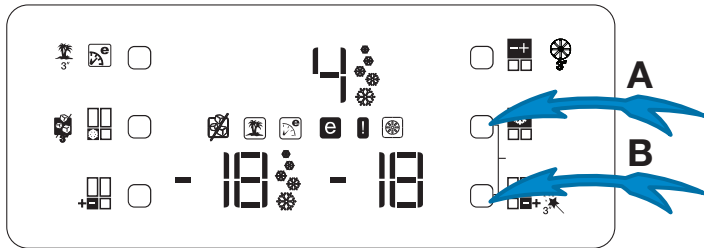
Tür offen-Alarm:

Falls die Tür zum Kühlbereich oder zum FlexiZone-Bereich länger als 1 Minute geöffnet bleibt, ertönt ein Signalton. Zum Abschalten dieses Alarms drücken Sie einfach eine beliebige Taste oder schließen die geöffnete Tür.

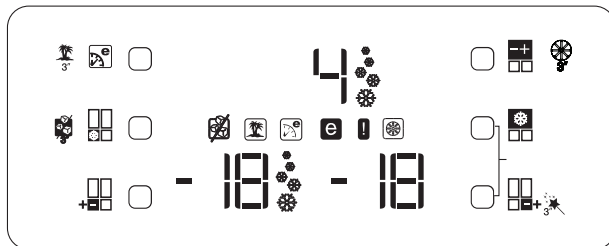
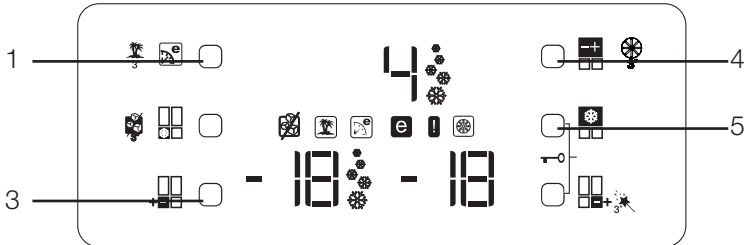
So lassen Sie die Zeit bis zum Filterwechsel automatisch berechnen

(Bei Geräten, die mit der Wasserleitung verbunden und mit einem Filter ausgestattet sind.)

1: Bei eingeschaltetem Kühlgerät: Schalten Sie die Tastensperre durch Gedrückthalten der Tasten A und B ein.



2: Drücken Sie nacheinander folgende Tasten: Öko-Extra (1), Kühlbereichtemperatureinstelltaste (4), Schnellkühlen (5), Tiefkühlbereichtemperatureinstelltaste (3).



Wenn die Tasten in der richtigen Reihenfolge gedrückt werden, erlischt das Tastensperre-Symbol, ein kurzer Signalton erklingt, die Filterwechselanzeige leuchtet auf. Drücken Sie die Filterwechselanzeige abstellen-Taste (Nr. 19 bei der Beschreibung der Bedienelemente) nach dem Filterwechsel; die Zeit bis zum nächsten Filterwechsel wird nun automatisch berechnet.

i Wenn die Zeit bis zum nächsten Filterwechsel automatisch berechnet wird, leuchtet die Filterwechselanzeige nach dem Einstecken des Netzsteckers ein paar Sekunden lang auf.

i Die automatische Berechnung des Filterwechsels ist bei der Auslieferung des Gerätes nicht eingeschaltet. Diese muss bei Geräten mit Filter zunächst eingeschaltet werden.

i Zum Abschalten der Berechnung der Filterwechselzeit führen Sie bitte dieselben Schritte wie beim Einschalten aus.

Eierbehälter

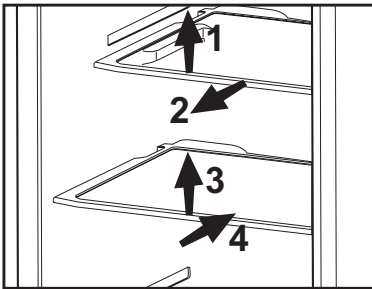
Sie können den Eierhalter in der Tür oder auf einer Ablage platzieren.

Legen Sie den Eierhalter niemals in den Tiefkühlbereich.

Verschiebbare Ablagen

Sie verschieben die Ablagen, indem Sie sie vorne etwas anheben und anschließend nach vorne ziehen oder nach hinten schieben. Sie können die Ablagen bis zum Anschlag herausziehen, um leichter an die Lebensmittel im hinteren Teil der Ablage heranzukommen. Die Ablage lässt sich vollständig entnehmen, indem Sie sie leicht anheben und anschließend weiter herausziehen.

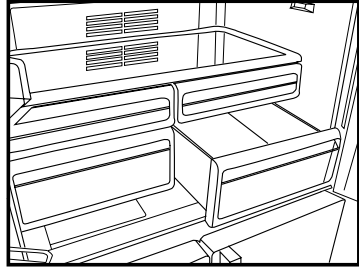
Halten Sie die Ablage fest im Griff (am besten von unten abstützen), damit sie nicht kippt. Die Ablagen laufen in Schienen an den Seiten des Innenraums; Sie können Schienen in unterschiedlicher Höhe nutzen. Schieben Sie die Ablage stets bis zum Anschlag ein.



Gemüsefach

Im Gemüsefach Ihres Kühlgerätes bleibt Gemüse länger frisch und behält seine natürliche Feuchtigkeit. Dazu wird ständig kühle Luft zum Gemüsefach geleitet.

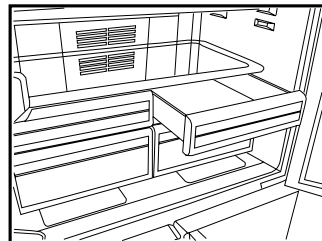
Nehmen Sie die Türablagen in der Höhe des Gemüsefaches heraus, bevor Sie das Gemüsefach entnehmen. Das Gemüsefach entnehmen Sie wie in der Abbildung dargestellt.



Kühlfach

In Kühlfach können Sie Lebensmittel auf das Einfrieren vorbereiten. Ebenso eignet sich dieser Bereich für Lebensmittel, die Sie ein paar Grad unterhalb der regulären Kühlbereichstemperatur aufbewahren möchten.

Durch Herausnehmen der Kühlfächer können Sie das Volumen Ihres Kühlschranks vergrößern. Dazu ziehen Sie das entsprechende Fach zu sich heran, bis es gegen den Anschlag stößt. Nun heben Sie das Fach etwa 1 cm an und ziehen es zu sich hin heraus.



Beweglicher Mittelbereich

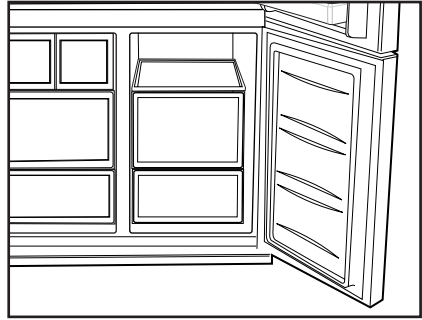
Der bewegliche Mittelbereich sorgt dafür, dass die kühle Luft im Inneren Ihres Kühlgerätes nicht nach außen entweichen kann.

1: Die Türdichtungen liegen bei geschlossener Tür am beweglichen Mittelbereich an und sorgen für Dichtigkeit.

2: Ein weiterer Vorteil des beweglichen Mittelbereiches besteht darin, dass sich dadurch das Nettovolumen des Kühlbereiches vergrößert. Andernfalls würde wertvoller Platz im Kühlgerät verschwendet.

3: Der bewegliche Mittelbereich schließt sich, wenn die linke Tür des Kühlbereiches geschlossen wird.

4: Nicht manuell öffnen! Ein spezielles Kunststoffteil besorgt das Öffnen und Schließen automatisch.



FlexiZone-Bereich

Den FlexiZone-Bereich können Sie nach Belieben einsetzen; durch individuelle Einstellung der Kühl- (2, 4, 6, 8 °C) oder Tiefkühltemperatur (-18, -20, -22, -24 °C). Die gewünschte Temperatur stellen Sie mit der FlexiZone-Temperatureinstelltaste ein. Zusätzlich zu den üblichen Einstellungen des (Tief-)Kühlbereiches können Sie die Temperatur des FlexiZone-Bereiches auf 0 und 10 ° oder auf -6 °C einstellen. Bei 0 °C können Sie Feinkost länger aufbewahren, bei -6 °C hält sich Fleisch bis zu zwei Wochen lang und kann nach dem Herausnehmen auch problemlos geschnitten werden.

i Ein spezielles Kühlelement an der Rückseite des Gerätes sorgt dafür, dass sich dieser Bereich zum Kühlen oder Tiefkühlen einsetzen lässt. Wenn dieses Kühlelement aktiv ist, können Geräusche entstehen, die an das Ticken einer Uhr erinnern. Dies ist völlig normal und keine Fehlfunktion.

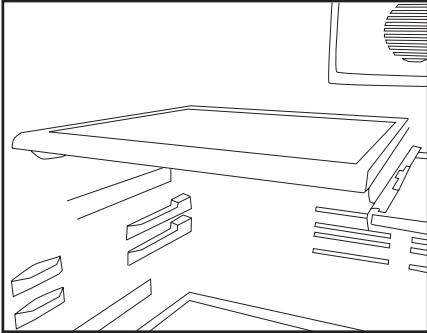
Blaues Licht

Im Gemüsefach gelagertes Gemüse, wird mit blauem Licht beleuchtet. Dadurch wird die Photosynthese mit Hilfe des Wellenlängeneffekts des blauen Lichts fortgesetzt, Vitamine und Frische bleiben erhalten.



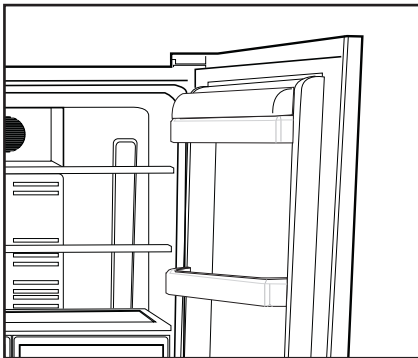
Schubablagen

Die Schubablagen lassen sich vorwärts und rückwärts verschieben. Die Höhe dieser Ablagen lässt sich durch Herausnehmen und Anbringen in unterschiedlicher Höhe anpassen. Zum Herausnehmen heben Sie die Ablage leicht an und ziehen sie zu sich hin heraus.



Butter- & Käsefach

In diesem Bereich, der mit einem Deckel verschlossen werden kann, lagern Sie beispielsweise Butter, Käse oder Margarine.

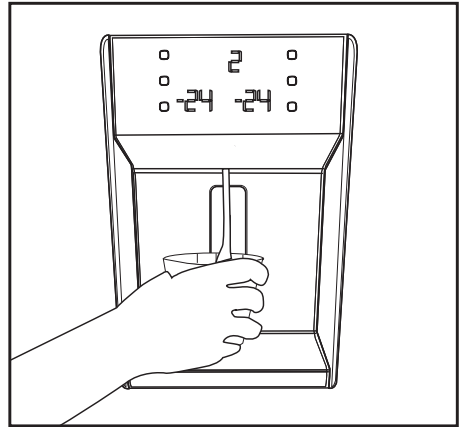


So benutzen Sie den Wasserspender

Warnungen

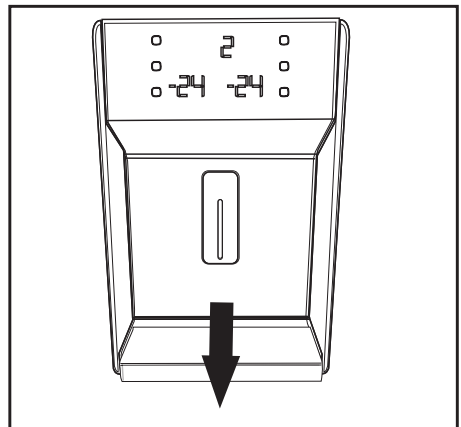
Das erste Wasser, das aus dem Spender fließt, kann noch etwas warm sein. Dies ist normal.

Wenn der Wasserspender längere Zeit nicht genutzt wurde, müssen Sie zunächst ein wenig Wasser ausfließen lassen, bis frisches Wasser ausgegeben wird.



Tropfschale

In der Tropfschale sammelt sich Wasser, das bei der Nutzung nach unten tropft. Sie können die Tropfschale entnehmen, indem Sie sie zu sich heranziehen oder (je nach Modell) die Kante hinabrücken. Das Wasser lässt sich leicht mit einem Schwamm oder einem weichen Tuch entfernen.



Minibar

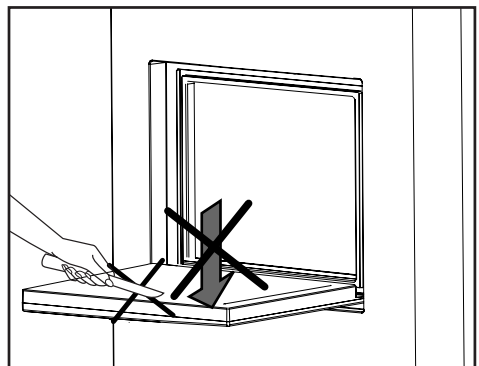
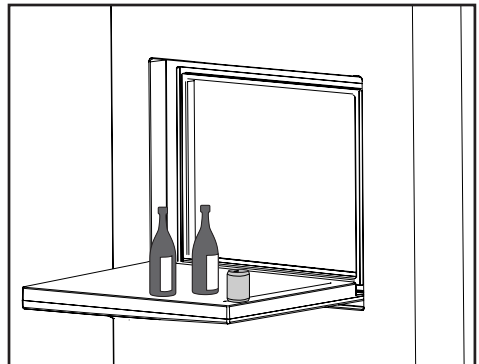
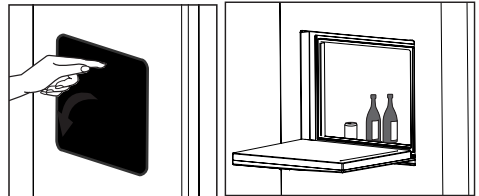
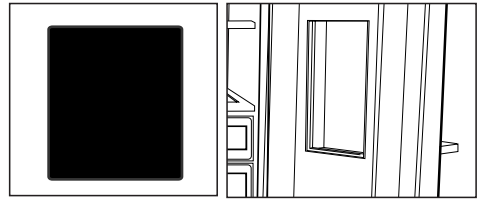
Die Minibar ist ein weiteres Komfortmerkmal Ihres Kühlgerätes. Die Türablage lässt sich auch ohne Öffnen der Kühlschranktür erreichen; so können Sie Speisen und Getränke, die Sie häufig genießen, besonders bequem und energiesparend entnehmen. Der Stromverbrauch Ihres Kühlgerätes sinkt, da die Haupttür nun öfter einfach geschlossen bleiben kann.

Zum Öffnen drücken Sie die Minibar mit der Hand nach unten und ziehen die Tür auf.

Bei geöffneter Minibar können Sie die Innenseite der Tür als Ablage nutzen und beispielsweise Flaschen oder Gläser kurzzeitig darauf abstellen; siehe Abbildung.

⚠ Achtung: Üben Sie niemals Druck auf die Tür aus; setzen Sie sich nicht darauf, stützen Sie sich nicht darauf ab, legen Sie keine schweren Gegenstände auf die Ablage. Andernfalls kann es zu Beschädigungen des Gerätes und/oder zu Verletzungen kommen.

⚠ Achtung: Missbrauchen Sie die Minibarablage nicht als Schneidbrett, achten Sie darauf, dass die Tür nicht durch spitze oder scharfe Gegenstände beschädigt wird.



6 Reinigung und Pflege

- ⚠ Verwenden Sie zu Reinigungszwecken niemals Benzin oder ähnliche Substanzen.
- ⚠ Wir empfehlen, vor dem Reinigen den Netzstecker zu ziehen.
- ℹ Verwenden Sie zur Reinigung niemals scharfe Gegenstände, Seife, Haushaltsreiniger, Waschmittel oder Wachspolituren.
- ℹ Reinigen Sie das Gehäuse des Gerätes mit lauwarmem Wasser, wischen Sie die Flächen danach trocken.
- ℹ Zur Reinigung des Innenraums verwenden Sie ein feuchtes Tuch, das Sie in eine Lösung aus 1 Teelöffel Natron und einem halben Liter Wasser getaucht und ausgewrungen haben. Nach dem Reinigen wischen Sie den Innenraum trocken.
- ⚠ Achten Sie darauf, dass kein Wasser in das Lampengehäuse oder andere elektrische Komponenten eindringt.
- ⚠ Wenn Ihr Kühlgerät längere Zeit nicht benutzt wird, ziehen Sie den Netzstecker, nehmen alle Lebensmittel heraus, reinigen das Gerät und lassen die Türe geöffnet.
- ℹ Kontrollieren Sie die Türdichtungen regelmäßig, um sicherzustellen, dass diese sauber und frei von Speiseresten sind.
- ⚠ Zum Entfernen der Türablagen räumen Sie sämtliche Gegenständen aus der Ablage und schieben diese dann nach oben heraus.

Schutz der Kunststoffflächen

- ℹ Geben Sie keine Öle oder stark fetthaltige Speisen offen in Ihren Kühlschrank – dadurch können die Kunststoffflächen angegriffen werden. Sollten die Kunststoffoberflächen einmal mit Öl in Berührung kommen, so reinigen Sie die entsprechenden Stellen umgehend mit warmem Wasser.

7 Empfehlungen zur Problemlösung

Bitte arbeiten Sie diese Liste durch, bevor Sie den Kundendienst anrufen. Das kann Ihnen Zeit und Geld sparen. In der Liste finden Sie häufiger auftretende Probleme, die nicht auf Verarbeitungs- oder Materialfehler zurückzuführen sind. Nicht alle hier beschriebenen Funktionen sind bei jedem Modell verfügbar.

Der Kühlschrank arbeitet nicht.
<ul style="list-style-type: none">• Ist der Kühlschrank richtig angeschlossen? Stecken Sie den Netzstecker in die Steckdose.• Ist die entsprechende Haussicherung herausgesprungen oder durchgebrannt? Überprüfen Sie die Sicherung.
Kondensation an den Seitenwänden des Kühlbereiches. (Multizone, Kühlkontrolle und FlexiZone)
<ul style="list-style-type: none">• Sehr geringe Umgebungstemperaturen. Häufiges Öffnen und Schließen der Tür. Sehr feuchte Umgebung. Offene Lagerung von feuchten Lebensmitteln. Tür nicht richtig geschlossen. Kühlere Thermostateinstellung wählen.• Türen kürzer geöffnet halten oder seltener öffnen.• Offene Behälter abdecken oder mit einem geeigneten Material einwickeln.• Kondensation mit einem trockenen Tuch entfernen und überprüfen, ob diese erneut auftritt.
Der Kompressor läuft nicht
<ul style="list-style-type: none">• Eine Schutzschaltung stoppt den Kompressor bei kurzzeitigen Unterbrechungen der Stromversorgung und wenn das Gerät zu oft und schnell ein- und ausgeschaltet wird, da der Druck des Kühlmittels eine Weile lang ausgeglichen werden muss. Ihr Kühlschrank beginnt nach etwa sechs Minuten wieder zu arbeiten. Bitte wenden Sie sich an den Kundendienst, falls Ihr Kühlschrank nach Ablauf dieser Zeit nicht wieder zu arbeiten beginnt.• Der Kühlschrank taut ab. Dies ist bei einem vollautomatisch abtauenden Kühlschrank völlig normal. Das Gerät taut von Zeit zu Zeit ab.• Der Netzstecker ist nicht eingesteckt. Überprüfen Sie, ob das Gerät richtig angeschlossen ist.• Stimmen die Temperatureinstellungen?• Eventuell ist der Strom ausgefallen.

Der Kühlschrank arbeitet sehr intensiv oder über eine sehr lange Zeit.

- Ihr neues Gerät ist vielleicht etwas breiter als sein Vorgänger. Dies ist völlig normal. Große Kühlgeräte arbeiten oft längere Zeit.
- Die Umgebungstemperatur ist eventuell sehr hoch. Dies ist völlig normal.
- Das Kühlgerät wurde möglicherweise erst vor kurzem in Betrieb genommen oder mit Lebensmitteln gefüllt. Es kann einige Stunden länger dauern, bis der Kühlschrank seine Arbeitstemperatur erreicht hat.
- Kurz zuvor wurden größere Mengen warmer Speisen im Kühlschrank eingelagert. Heiße Speisen führen dazu, dass der Kühlschrank etwas länger arbeiten muss, bis die geeignete Temperatur zur sicheren Lagerung erreicht ist.
- Türen wurden häufig geöffnet oder längere Zeit nicht richtig geschlossen. Der Kühlschrank muss länger arbeiten, weil warme Luft in den Innenraum eingedrungen ist. Öffnen Sie die Türen möglichst selten.
- Die Tür des Kühl- oder Tiefkühlbereichs war nur angelehnt. Vergewissern Sie sich, dass die Türen richtig geschlossen wurden.
- Die Kühlschranktemperatur ist sehr niedrig eingestellt. Stellen Sie die Kühlschranktemperatur höher ein und warten Sie, bis die gewünschte Temperatur erreicht ist.
- Die Türdichtungen von Kühl- oder Gefrierbereich sind verschmutzt, verschlissen, beschädigt oder sitzen nicht richtig. Reinigen oder ersetzen Sie die Dichtung. Beschädigte oder defekte Dichtungen führen dazu, dass der Kühlschrank länger arbeiten muss, um die Temperatur halten zu können.

Die Temperatur im Tiefkühlbereich ist sehr niedrig, während die Temperatur im Kühlbereich normal ist.

- Die Tiefkühltemperatur ist sehr niedrig eingestellt. Stellen Sie die Gefrierfachtemperatur wärmer ein und prüfen Sie.

Die Temperatur im Kühlbereich ist sehr niedrig, während die Temperatur im Tiefkühlbereich normal ist.

- Die Kühltemperatur ist eventuell sehr niedrig eingestellt. Stellen Sie die Kühlbereichtemperatur wärmer ein und prüfen Sie.

Im Kühlbereich gelagerte Lebensmittel frieren ein.

- Die Kühltemperatur ist eventuell sehr niedrig eingestellt. Stellen Sie die Kühlbereichtemperatur wärmer ein und prüfen Sie.

Die Temperatur im Kühl- oder Tiefkühlbereich ist sehr hoch.

- Die Temperatur des Kühlbereichs ist eventuell sehr hoch eingestellt. Die Einstellung des Kühlbereichs beeinflusst die Temperatur im Tiefkühlbereich. Stellen Sie den Kühl- oder Tiefkühlbereich auf die gewünschte Temperatur ein.
- Türen wurden häufig geöffnet oder längere Zeit nicht richtig geschlossen; weniger häufig öffnen.
- Die Tür wurde eventuell nicht richtig geschlossen; Tür richtig schließen.
- Kurz zuvor wurden größere Mengen warmer Speisen im Kühlschrank eingelagert. Warten Sie, bis der Kühl- oder Tiefkühlbereich die gewünschte Temperatur erreicht.
- Der Kühlschrank war kurz zuvor von der Stromversorgung getrennt. Ihr Kühlschrank braucht einige Zeit, um sich auf die gewünschte Temperatur abzukühlen.

Das Betriebsgeräusch nimmt zu, wenn der Kühlschrank arbeitet.
<ul style="list-style-type: none"> Das Leistungsverhalten des Kühlgerätes kann sich je nach Umgebungstemperatur ändern. Dies ist völlig normal und keine Fehlfunktion.
Vibrationen oder Betriebsgeräusche.
<ul style="list-style-type: none"> Der Boden ist nicht eben oder nicht fest. Der Kühlschrank wackelt, wenn er etwas bewegt wird. Achten Sie darauf, dass der Boden eben ist und das Gewicht des Kühlschranks problemlos tragen kann. Das Geräusch kann durch auf dem Kühlschrank abgestellte Gegenstände entstehen. Nehmen Sie abgestellte Gegenstände vom Kühlschrank herunter.
Fließ- oder Spritzgeräusche sind zu hören.
<ul style="list-style-type: none"> Aus technischen Gründen bewegen sich Flüssigkeiten und Gase innerhalb des Gerätes. Dies ist völlig normal und keine Fehlfunktion.
Windähnliche Geräusche sind zu hören.
<ul style="list-style-type: none"> Zum gleichmäßigen Kühlen werden Ventilatoren eingesetzt. Dies ist völlig normal und keine Fehlfunktion.
Kondensation an den Kühlschrankinnenflächen.
<ul style="list-style-type: none"> Bei heißen und feuchten Wetterlagen tritt verstärkt Eisbildung und Kondensation auf. Dies ist völlig normal und keine Fehlfunktion. Die Türen wurden eventuell nicht richtig geschlossen; Türen komplett schließen. Türen wurden häufig geöffnet oder längere Zeit nicht richtig geschlossen; weniger häufig öffnen.
Feuchtigkeit sammelt sich an der Außenseite des Kühlschranks oder an den Türen.
<ul style="list-style-type: none"> Eventuell herrscht hohe Luftfeuchtigkeit; dies ist je nach Wetterlage völlig normal. Die Kondensation verschwindet, sobald die Feuchtigkeit abnimmt.
Unangenehmer Geruch im Kühlschrankinnenraum.
<ul style="list-style-type: none"> Das Innere des Kühlschranks muss gereinigt werden. Reinigen Sie das Innere des Kühlschranks mit einem Schwamm, den Sie mit lauwarmem oder kohlenstoffhaltigem Wasser angefeuchtet haben. Bestimmte Behälter oder Verpackungsmaterialien verursachen den Geruch. Verwenden Sie andere Behälter oder Verpackungsmaterial einer anderen Marke.
Die Tür wurde nicht richtig geschlossen.
<ul style="list-style-type: none"> Lebensmittelpackungen verhindern eventuell das Schließen der Tür. Entfernen Sie die Verpackungen, welche die Tür blockieren. Der Kühlschrank steht nicht mit sämtlichen Füßen fest auf dem Boden und schaukelt bei kleinen Bewegungen. Stellen Sie die Höheneinstellschrauben ein. Der Boden ist nicht eben oder nicht stabil genug. Achten Sie darauf, dass der Boden eben ist und das Gewicht des Kühlschranks problemlos tragen kann.
Das Gemüsefach klemmt.
<ul style="list-style-type: none"> Die Lebensmittel berühren eventuell den oberen Teil der Schublade. Ordnen Sie die Lebensmittel in der Schublade anders an.

Veillez d'abord lire la notice d'utilisation !

Chère cliente, cher client,

Nous espérons que votre produit, qui a été fabriqué dans des usines modernes et vérifié au terme des procédures de contrôle de qualité les plus méticuleuses, vous aidera efficacement.

Pour cette raison, nous vous conseillons de lire attentivement tout le manuel d'utilisation de votre produit avant de vous en servir, et de le conserver ensuite pour une utilisation ultérieure.




Le présent manuel

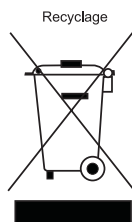
- Vous aidera à utiliser votre produit avec rapidité et sécurité.
- Lisez le manuel avant d'installer et de faire fonctionner votre produit.
- Respectez les instructions, notamment celles relatives à la sécurité.
- Conservez ce manuel dans un endroit facilement accessible car vous pouvez en avoir besoin ultérieurement.
- En plus, lisez également les autres documents fournis avec votre produit.

Veillez noter que ce manuel peut également être valide pour d'autres modèles.

Symboles et descriptions

Vous retrouverez les symboles suivants dans le présent manuel :

-  Informations importantes ou astuces.
-  Avertissement relatif aux conditions dangereuses pour la vie et la propriété.
-  Avertissement relatif à la tension électrique.

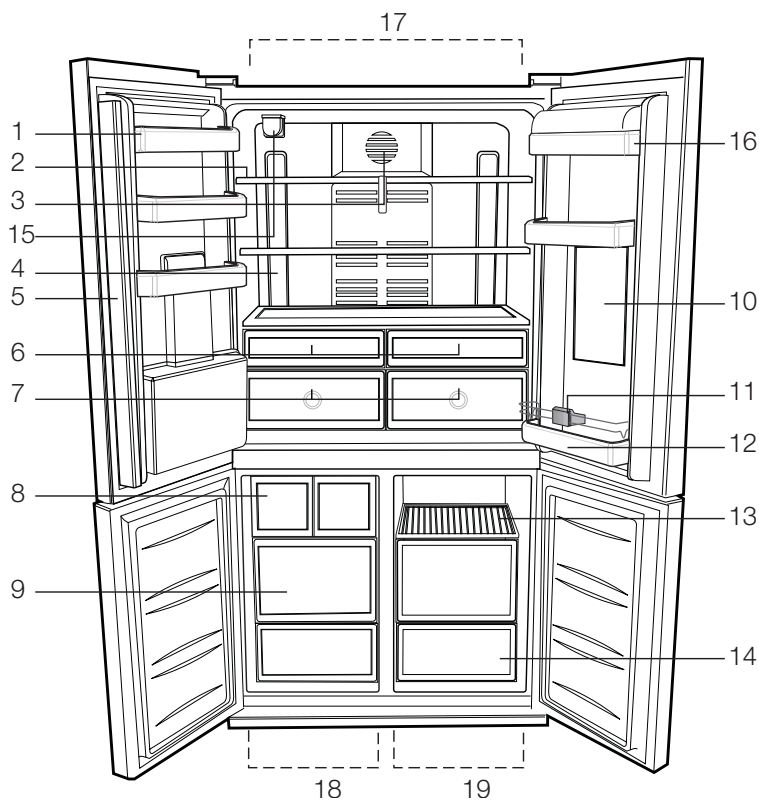


Ce produit est marqué du symbole du tri sélectif, relatif aux déchets d'équipements électriques et électroniques. Cela signifie que ce produit doit être pris en charge par un système de collecte sélectif conformément à la directive européenne 2002/96/CE, afin de pouvoir être recyclé ou démantelé dans le but de réduire tout impact sur l'environnement. Attention les produits électroniques n'ayant pas fait l'objet d'un tri sélectif sont potentiellement dangereux pour l'environnement et la santé humaine en raison de la présence potentielle de substances dangereuses.

TABLE DES MATIÈRES

1 Le Réfrigérateur	3	4 Préparation	16
2 Précautions importantes pour votre sécurité	4	5 Utilisation du réfrigérateur	17
Utilisation prévue	4	Bandeau indicateur.....	17
Pour les appareils dotés d'une fontaine à eau ;	6	Alarme d'ouverture de porte:	20
Sécurité enfants.....	6	Pour que le calcul de la durée d'utilisation du filtre se fasse automatiquement	21
Avertissement HCA	6	Etagères coulissantes.....	22
Mesures d'économie d'énergie.....	6	Casier à œufs	22
3 Installation	7	Bac à légumes	22
Points à prendre en compte lorsque vous transportez à nouveau votre produit.....	7	Compartiment Zone fraîche	22
Avant de faire fonctionner votre réfrigérateur	7	Section centrale modulable	23
Branchement électrique.....	8	Compartiment Flexi Zone.....	23
Mise au rebut de l'emballage	8	Éclairage bleu	23
Mise au rebut de votre ancien réfrigérateur	8	Etagères coulissantes avec fixations à l'arrière	24
Disposition et Installation	8	Section pour Beurre et Fromages	24
Réglage de la stabilité au sol.....	9	Utilisation de la fontaine	24
Réglage du jeu entre les portes supérieures.....	9	Socle du distributeur.....	24
Installation du filtre à eau	11	Minibar	25
Raccordement du tuyau d'alimentation en eau au réfrigérateur.....	11	6 Nettoyage et entretien	26
Raccordement du tuyau de vidange à la carafe	12	Protection des surfaces en plastique.	26
Raccordement du tuyau d'alimentation en eau à l'arrivée d'eau	13	7 Solutions recommandées aux problèmes	27
Avant toute première utilisation du distributeur d'eau	15		

1 Le Réfrigérateur



- | | |
|--|---|
| 1- Balconnets de la porte du compartiment de réfrigération | 11- Range-bouteilles |
| 2- Clayettes en verre du compartiment de réfrigération | 12- Clayette range-bouteilles |
| 3- Couvercle du diffuseur | 13- Étagères du compartiment de conservation de denrées |
| 4- Lentilles d'illumination | 14- Compartiments de conservation de denrées |
| 5- Section centrale modulable | 15- Filtre à eau |
| 6- Compartiment Zone fraîche | 16- Étagère à Beurre et Fromages |
| 7- Bac à légumes | 17- Compartiment réfrigérateur |
| 8- Distributeur de glaçons | 18- Compartiment congélateur |
| 9- Compartiments congélateur | 19- Flexi Zone |
| 10- Minibar | |

i Les illustrations présentées dans cette notice d'utilisation sont schématiques et peuvent ne pas correspondre exactement à votre produit. Si des pièces présentées ne sont pas comprises dans le produit que vous avez acheté, elles sont valables pour d'autres modèles.

2 Précautions importantes pour votre sécurité

Veillez examiner les informations suivantes : Le non respect de ces consignes peut entraîner des blessures ou dommages matériels. Sinon, tout engagement lié à la garantie et à la fiabilité du produit devient invalide.

La durée de vie du produit que vous avez acheté est de 10 ans. Il s'agit ici de la période au cours de laquelle vous devez conserver les pièces de rechange nécessaires à son fonctionnement.

Utilisation prévue

Ce produit est prévu pour une utilisation

- en intérieur et dans des zones fermées telles que les maisons ;
 - dans les environnements de travail fermés, tels que les magasins et les bureaux ;
 - dans les lieux d'hébergement fermés, tels que les fermes, hôtels, pensions.
- Cet appareil ne doit pas être utilisé en extérieur.

Sécurité générale

- Avant de vous débarrasser de votre appareil, veuillez consulter les autorités locales ou votre revendeur pour connaître le mode opératoire et les organismes de collecte agréés.
- Consultez le service après-vente agréé concernant toutes questions ou problèmes relatifs au réfrigérateur. N'intervenez pas ou ne laissez personne intervenir sur le réfrigérateur sans le communiquer au service après-vente agréé.
- Pour les produits équipés d'un compartiment congélateur : ne mangez pas de cônes de crème glacée ou des glaçons immédiatement après les avoir sortis du compartiment de congélation ! (Cela pourrait provoquer des engelures dans votre bouche).
- Pour les produits équipés d'un compartiment congélateur : ne placez pas de boissons en bouteille ou en cannette dans le compartiment de

congélation. Cela peut entraîner leur éclatement.

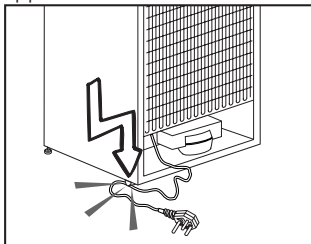
- Ne touchez pas des produits congelés avec les mains, ils pourraient se coller à celles-ci.
- Débranchez votre réfrigérateur avant de le nettoyer ou de le dégivrer.
- La vapeur et des matériaux de nettoyage pulvérisés ne doivent jamais être utilisés pour les processus de nettoyage ou de dégivrage de votre réfrigérateur. La vapeur pourrait pénétrer dans les pièces électriques et provoquer des courts-circuits ou des électrocutions.
- Ne jamais utiliser les pièces de votre réfrigérateur telles que la porte, comme un support ou une marche.
- N'utilisez pas d'appareils électriques à l'intérieur du réfrigérateur.
- N'endommagez pas les pièces où circule le liquide réfrigérant avec des outils de forage ou coupants. Le liquide réfrigérant qui pourrait s'échapper si les canalisations de gaz de l'évaporateur, les rallonges de tuyau ou les revêtements de surface étaient percés, peut irriter la peau et provoquer des blessures aux yeux.
- Ne pas couvrir ou obstruer les orifices de ventilation du réfrigérateur.
- Les appareils électriques peuvent être réparés seulement par des personnes autorisées. Les réparations réalisées par des personnes ne présentant pas les compétences requises peuvent présenter un risque pour l'utilisateur.
- En cas de dysfonctionnement ou lors d'opérations d'entretien ou de réparation, débranchez l'alimentation électrique du réfrigérateur soit en désactivant le fusible correspondant, soit en débranchant l'appareil.
- Ne tirez pas sur le câble lorsque vous débranchez la prise.
- Placez les boissons alcoolisées verticalement, dans des récipients convenablement fermés.
- Ne conservez jamais des aérosols contenant des substances inflammables

et explosives dans le réfrigérateur.

- N'utilisez pas d'outils mécaniques ou autres dispositifs pour accélérer le processus de décongélation autres que ceux qui sont recommandés par le fabricant.
- Ce produit n'est pas conçu pour être utilisé par des personnes (enfants compris) souffrant de déficience physique, sensorielle, mentale, ou inexpérimentées, à moins d'avoir obtenu une autorisation auprès des personnes responsables de leur sécurité.
- Ne faites pas fonctionner un réfrigérateur endommagé. Consultez le service agréé en cas de problème.
- La sécurité électrique du réfrigérateur n'est assurée que si le système de mise à la terre de votre domicile est conforme aux normes en vigueur.
- L'exposition du produit à la pluie, la neige, au soleil ou au vent présente des risques concernant la sécurité électrique.
- Contactez le service agréé quand un câble d'alimentation est endommagé pour éviter tout danger.
- Ne branchez jamais le réfrigérateur à la prise murale au cours de l'installation. Vous vous exposeriez à un risque de mort ou à de blessures graves.
- Ce réfrigérateur est conçu seulement pour conserver des aliments. Par conséquent, il ne doit pas être utilisé à d'autres fins.
- L'étiquette avec les caractéristiques techniques est située sur le mur gauche à l'intérieur du réfrigérateur.
- Ne branchez jamais votre réfrigérateur à des systèmes d'économie d'énergie, cela peut l'endommager.
- S'il y a une lumière bleue sur le réfrigérateur, ne la regardez pas avec des outils optiques.
- Pour les réfrigérateurs contrôlés manuellement, attendez au moins 5 minutes pour allumer le réfrigérateur après une coupure de courant.
- Si cet appareil venait à changer de propriétaire, n'oubliez pas de remettre la présente notice d'utilisation au nouveau

bénéficiaire.

- Évitez d'endommager le câble d'alimentation quand vous transportez le réfrigérateur. Tordre le câble peut entraîner un incendie. Ne placez jamais d'objets lourds sur le câble d'alimentation. Évitez de toucher à la prise avec des mains mouillées au moment de brancher l'appareil.



- Évitez de brancher le réfrigérateur lorsque la prise de courant électrique a lâché.
- Pour des raisons d'ordre sécuritaire, évitez de vaporiser directement de l'eau sur les parties externes et internes du réfrigérateur.
- Ne pulvérisez pas de substances contenant des gaz inflammables comme du propane près du réfrigérateur pour éviter tout risque d'incendie et d'explosion.
- Ne placez jamais de récipients pleins d'eau en haut du réfrigérateur, ils pourraient causer des chocs électriques ou incendie.
- Ne surchargez pas votre réfrigérateur avec des quantités de nourriture excessives. S'il est surchargé, les aliments peuvent tomber, vous blesser et endommager le réfrigérateur quand vous ouvrez la porte. Ne placez jamais d'objets au-dessus du réfrigérateur, ils pourraient tomber quand vous ouvrez ou fermez la porte du réfrigérateur.
- Les produits qui nécessitent un contrôle de température précis (vaccin, médicament sensible à la chaleur, matériels scientifiques, etc.) ne doivent pas être conservés dans le réfrigérateur.
- Si le réfrigérateur n'est pas utilisé pendant longtemps, il doit être débranché. Un problème avec le câble d'alimentation pourrait causer un incendie.

- Le bout de la prise électrique doit être nettoyé régulièrement, sinon il peut provoquer un incendie.
- Le bout de la prise électrique doit être nettoyé régulièrement à l'aide d'un chiffon sec, sinon il peut provoquer un incendie.
- Le réfrigérateur peut bouger si ses pieds réglables ne sont pas bien fixés sur le sol. Bien fixer les pieds réglables sur le sol peut empêcher le réfrigérateur de bouger.
- Quand vous transportez le réfrigérateur, ne le tenez pas par la poignée de la porte. Cela peut le casser.
- Quand vous devez placer votre produit près d'un autre réfrigérateur ou congélateur, la distance entre les appareils doit être d'au moins 8 cm. Sinon, les murs adjacents peuvent être humidifiés.

Pour les appareils dotés d'une fontaine à eau ;

La pression de l'alimentation en eau doit être au minimum de 1 bar. La pression de l'alimentation en eau doit être au maximum de 8 bars.

- Utilisez uniquement de l'eau potable.

Sécurité enfants

- Si la porte a un verrouillage, la clé doit rester hors de portée des enfants.
- Les enfants doivent être surveillés et empêchés de s'amuser avec le produit.

Avertissement HCA

Si le système de refroidissement de votre appareil contient R600a:

Ce gaz est inflammable. Par conséquent, veuillez prendre garde à ne pas endommager le système de refroidissement et les tuyauteries lors de son utilisation ou de son transport. En cas de dommages, éloignez votre produit de toute source potentielle de flammes susceptible de provoquer l'incendie de l'appareil. De même, placez le produit dans une pièce aérée.

Ne tenez pas compte de cet avertissement si le système de refroidissement de votre appareil

contient R134a.

Le type de gaz utilisé dans l'appareil est mentionné sur la plaque signalétique située sur le mur gauche à l'intérieur du réfrigérateur.

Ne jetez jamais l'appareil au feu pour vous en débarrasser.

Mesures d'économie d'énergie

- Ne laissez pas les portes du réfrigérateur ouvertes pendant une durée prolongée.
- N'introduisez pas de denrées ou de boissons chaudes dans le réfrigérateur.
- Ne surchargez pas le réfrigérateur pour ne pas obstruer pas la circulation d'air à l'intérieur.
- N'installez pas le réfrigérateur à la lumière directe du soleil ou près d'appareil émettant de la chaleur tels qu'un four, un lave-vaisselle ou un radiateur.
- Veillez à conserver vos denrées dans des récipients fermés.
- Pour les produits équipés d'un compartiment congélateur : vous pouvez conserver une quantité maximale d'aliments dans le congélateur quand vous enlevez l'étagère ou le tiroir du congélateur. La consommation d'énergie précisée pour votre réfrigérateur a été déterminée en enlevant l'étagère ou le tiroir du congélateur et avec la charge maximale. Il n'y a aucun risque à utiliser une étagère ou un tiroir en fonction des formes et tailles des denrées à congeler.
- La décongélation des aliments dans le compartiment réfrigérateur permet de faire des économies d'énergie et de préserver la qualité des aliments.

3 Installation

i Veuillez noter que le fabricant ne pourra être tenu responsable si les informations fournies dans cette notice d'utilisation ne sont pas respectées.

Points à prendre en compte lorsque vous transportez à nouveau votre produit.

1. Le réfrigérateur doit être vidé et nettoyé avant tout transport.
2. Les clayettes, accessoires, bac à légumes, etc. de votre réfrigérateur doivent être fixés solidement avec de la bande adhésive avant de remballer l'appareil, pour le protéger en cas de chocs.
3. L'emballage doit être fixé avec une bande adhésive forte et des cordes solides, et les normes de transport indiquées sur l'emballage doivent être appliquées.

i N'oubliez jamais...

Chaque matériau recyclé est une participation indispensable à la préservation de la nature et conservation de nos ressources nationales.

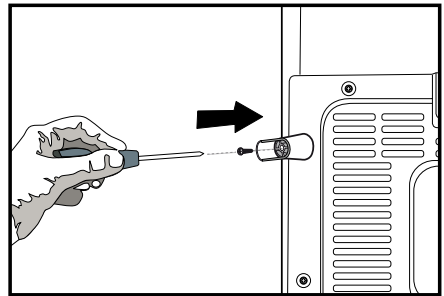
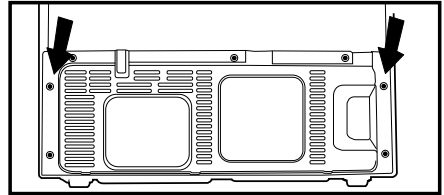
Si vous souhaitez contribuer à recycler les matériaux d'emballage, vous pouvez obtenir des informations supplémentaires auprès des organismes environnementaux ou des autorités locales.

Avant de faire fonctionner votre réfrigérateur

Avant de commencer à faire fonctionner votre réfrigérateur, vérifier les points suivants :

1. L'intérieur du réfrigérateur est sec et l'air peut circuler librement à l'arrière?
2. Insérez les 2 cales en plastique sur le couvercle de la ventilation arrière, tel qu'illustré dans la figure suivante. Pour ce faire, retirez les vis qui se trouvent sur le produit et utilisez celles qui ont été fournies dans la même pochette.

Les cales en plastique maintiendront la distance nécessaire entre votre réfrigérateur et le mur pour permettre une bonne circulation de l'air.



3. Nettoyez l'intérieur du réfrigérateur tel qu'indiqué dans la section « Entretien et nettoyage ».
4. Branchez le réfrigérateur dans la prise murale. Lorsque la porte est ouverte, l'éclairage intérieur correspondant s'allumera.
5. Vous remarquerez un bruit lorsque le compresseur se met en marche. Le liquide et les gaz intégrés au système du réfrigérateur peuvent également faire du bruit, que le compresseur soit en marche ou non. Ceci est tout à fait normal.
6. Les parties antérieures du réfrigérateur peuvent chauffer. Ce phénomène est normal. Ces zones doivent en principe être chaudes pour éviter tout risque de condensation.

Branchement électrique

Branchez votre réfrigérateur à une prise de mise à la terre protégée par un fusible ayant une capacité appropriée.

Important :

- ⚠ Le branchement doit être conforme aux normes en vigueur sur le territoire national.
- ⚠ La fiche de câble d'alimentation doit être facilement accessible après installation.
- ⚠ La tension et la protection du fusible autorisées sont spécifiées dans la section « Caractéristiques techniques ».
- ⚠ La tension spécifiée doit être égale à votre tension de secteur.
- ⚠ Les rallonges et prises multivoies ne doivent pas être utilisés pour brancher l'appareil.
- ⚠ Un câble d'alimentation endommagé doit être remplacé par un électricien qualifié.
- ⚠ L'appareil ne doit pas être mis en service avant d'être réparé ! Un risque de choc électrique existe!

Mise au rebut de l'emballage

- ⚠ Les matériaux d'emballage peuvent être dangereux pour les enfants. Tenez les matériaux d'emballage hors de portée des enfants ou débarrassez-vous-en conformément aux consignes sur les déchets. Ne les jetez pas aux côtés des ordures ménagères ordinaires.

L'emballage de votre appareil est produit à partir des matériaux recyclables.

Mise au rebut de votre ancien réfrigérateur

Débarrassez-vous de votre ancien réfrigérateur sans nuire à l'environnement.

- ⚠ Vous pouvez consulter le service après-vente agréé ou le centre chargé de la mise au rebut dans votre municipalité pour en savoir plus sur la mise au rebut de votre produit.

- ⚠ Avant de procéder à la mise au rebut de votre machine, coupez la prise électrique et, le cas échéant, tout verrouillage susceptible de se trouver sur la porte. Rendez-les inopérants afin de ne pas exposer les enfants à d'éventuels dangers.

Disposition et Installation

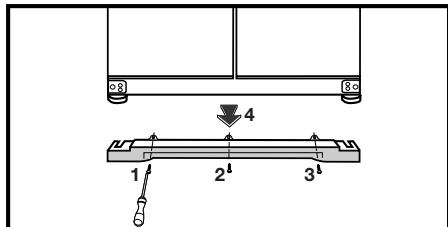
- ⚠ Attention: Ne branchez jamais le réfrigérateur à la prise murale au cours de l'installation. Vous vous exposeriez à un risque de mort ou à de blessures graves.

- ⚠ Si la porte d'entrée de la pièce où sera installé le réfrigérateur n'est pas assez large pour laisser passer le réfrigérateur, appelez alors le service après-vente pour faire retirer les portes du réfrigérateur et le faire passer latéralement.

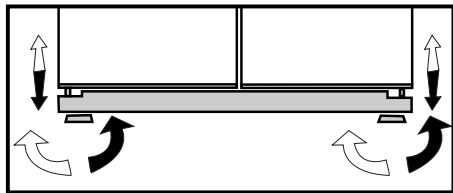
1. Installez le réfrigérateur dans un emplacement qui permette une utilisation pratique.
2. Maintenez le réfrigérateur éloigné de toutes sources de chaleur, des endroits humides et de la lumière directe du soleil.
3. Une ventilation d'air autour du réfrigérateur doit être aménagée pour obtenir un fonctionnement efficace. Si le réfrigérateur est placé dans un enfoncement du mur, il doit y avoir un espace d'au moins 5 cm avec le plafond et d'au moins 5 cm avec le mur. Si le sol est couvert de moquette, votre produit doit être surélevé à 2,5 cm du sol.
4. Placez le réfrigérateur sur un a de surface plane afin d'éviter les à-coups.
5. N'exposez pas le réfrigérateur à des températures ambiantes inférieures à 10°C.

Réglage de la stabilité au sol

⚠ Si le réfrigérateur n'est pas stable;
⚠ Débranchez-le d'abord. En effet, l'appareil doit être débranché pendant l'ajustement de son équilibre. Cette précaution permet d'éviter tout risque de choc électrique.



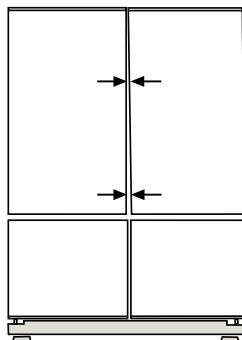
1- Le cache de ventilation est retiré en enlevant les vis, tel qu'illustré sur le schéma avant la procédure. Vous pouvez équilibrer le réfrigérateur en tournant les pieds avant, tel qu'illustré dans le schéma. Le côté où se trouve le pied s'abaisse lorsque vous tournez dans le sens de la flèche noire, et s'élève lorsque vous tournez dans le sens opposé. Si vous vous faites aider par quelqu'un pour légèrement soulever le réfrigérateur, l'opération s'en trouvera simplifiée.



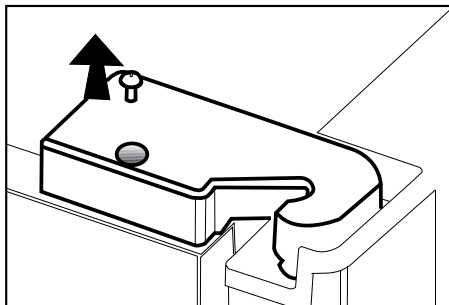
2. Après avoir réalisé la stabilisation, installez le cache de ventilation et fixez les vis fournies.

3. Retirez les deux vis de fixation du cache de ventilation inférieur à l'aide d'un tournevis Philips.

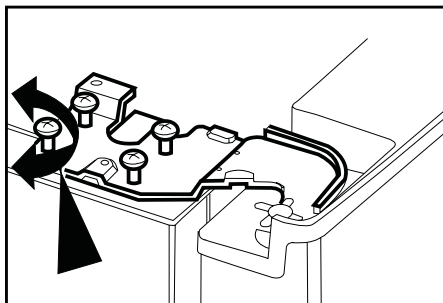
Réglage du jeu entre les portes supérieures

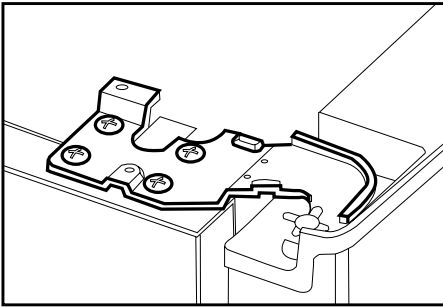


i Vous pouvez régler le jeu entre les portes du compartiment de réfrigération comme illustré sur les schémas. Les étagères de la porte doivent être vides pour effectuer le réglage de la hauteur.

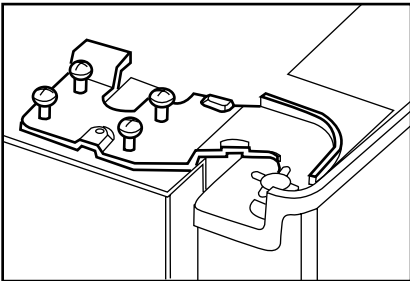


i A l'aide d'un tournevis, retirez la vis du cache de la charnière supérieure de la porte que vous souhaitez régler.

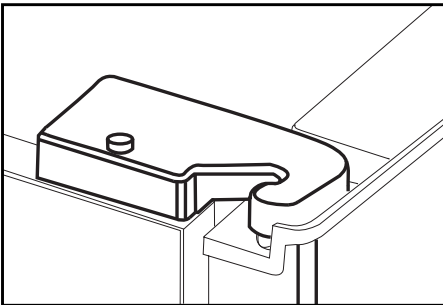




i Ajustez la porte de manière appropriée à votre gré en desserrant les vis.



i Fixez la porte que vous avez réglée en serrant les vis sans modifier la position de la porte.



i Remplacez le cache de la charnière et fixez la vis.

Installation du filtre à eau

(Dans certains modèles)

Deux différentes sources d'eau peuvent être connectées au réfrigérateur pour l'alimentation en eau: l'arrivée d'eau et l'eau contenue dans une carafe.

Conditions d'installation

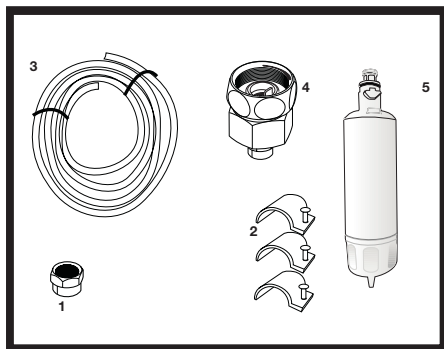
Une pompe est requise pour que l'eau de la carafe puisse être utilisée.

Assurez-vous que les pièces ci-dessous ont été fournies avec votre appareil.

1. Écrou de raccordement du tuyau d'alimentation en eau à l'arrière de l'appareil. (S'il n'est pas approprié, obtenez-en un autre auprès du service agréé le plus proche.)
2. 2 pièces de collier de fixation (Si nécessaire à la sécurisation du tuyau d'alimentation en eau)

Remarque : Dans la mesure où les pièces ci-après ne doivent pas être utilisées avec une carafe, elles peuvent ne pas se trouver dans le produit que vous avez acheté.

3. Tuyau d'alimentation en eau de 5 mètres (1/4 pouce de diamètre)
4. Robinet d'adduction d'eau froide (Adaptateur de robinet)
5. Filtre à eau ou filtre connectable à l'extérieur à intégrer à l'intérieur du compartiment réfrigérateur.



L'endroit où le filtre externe sera fixé doit être déterminé au préalable. (Pour les filtres utilisés hors du réfrigérateur.) Ensuite, déterminez la distance entre le filtre et le réfrigérateur, ainsi que les longueurs de tuyaux requises du filtre à l'arrivée d'eau du réfrigérateur.

Le filtre à eau doit rester debout comme indiqué dans l'image. Il est important de fixer convenablement le filtre à l'orifice d'alimentation en eau et aux points de sortie d'eau.

Après avoir installé le filtre, évitez d'en boire les 3, voire les 4 premiers verres d'eau.

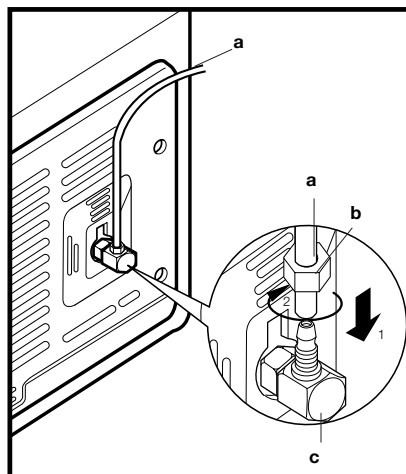
Raccordement du tuyau d'alimentation en eau au réfrigérateur

1. Après l'installation du raccord au tuyau d'alimentation en eau, insérez celui-ci à l'arrivée d'eau du réfrigérateur en appuyant solidement vers le bas.

2. Fixez le raccord tel qu'illustré dans le schéma ci-dessous, en appuyant avec la main sur l'arrivée d'eau du réfrigérateur.

(a- Conduite d'eau, b-raccord, c-Valve)

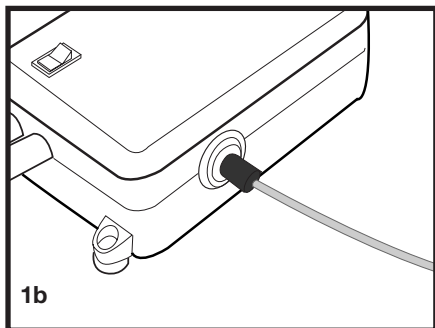
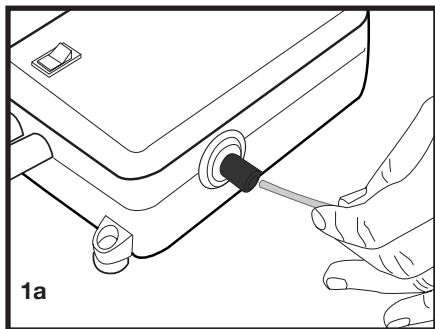
i Remarque 1: Il n'est pas nécessaire de serrer le raccord avec un outil pour parvenir à un assemblage étanche. En cas de fuite, utilisez une clé à molette ou une pince pour le faire.



Raccordement du tuyau de vidange à la carafe (Dans certains modèles)

Pour alimenter le réfrigérateur en eau à partir d'une carafe, une pompe est nécessaire. Suivez les instructions ci-dessous après avoir raccordé une extrémité du tuyau d'alimentation en eau allant de la pompe vers le réfrigérateur tel que décrit dans la page précédente.

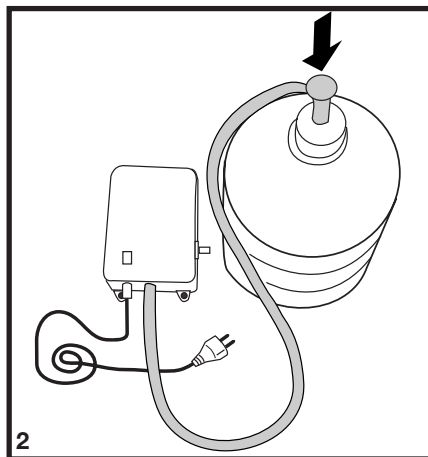
1. Terminez le raccordement en poussant l'autre extrémité du conduit d'eau à l'intérieur de l'arrivée du tuyau d'eau comme indiqué dans le schéma.



2. Mettez et fixez le tuyau à pompe dans la carafe comme illustré dans le schéma.
3. À la fin du raccordement, branchez et utilisez la pompe.

Pour que la pompe fonctionne de manière efficace, patientez 2 à 3 minutes.

- i** Vous pouvez consulter le manuel de l'utilisateur de la pompe pendant le raccordement du tuyau d'alimentation en eau.
- i** Nul besoin d'utiliser un filtre à eau au cas où vous vous servez d'une carafe.
- i** La pompe sera utilisée lorsque la carafe le sera également.



Raccordement du tuyau d'alimentation en eau à l'arrivée d'eau

(Dans certains modèles)

Si vous voulez utiliser votre réfrigérateur en le raccordant au tuyau d'alimentation en eau principal,

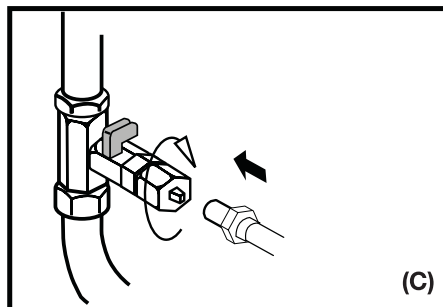
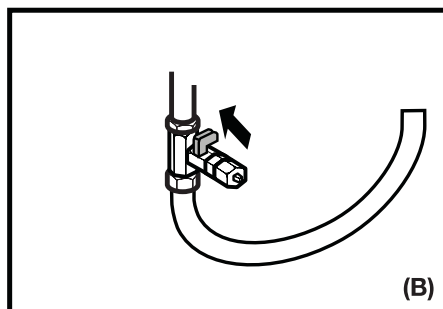
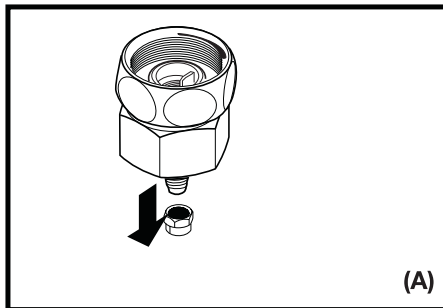
Vous aurez à raccorder une installation de valve standard $\frac{1}{2}$ à l'alimentation en eau chaude de votre domicile. Si cette valve est absente de votre appareil ou si vous n'en êtes pas sûr, consultez un plombier qualifié.

1. Séparez le raccord de l'adaptateur du robinet. (Schéma A)
2. Installez l'adaptateur du robinet à l'installation d'une valve standard $\frac{1}{2}$ comme indiqué dans l'illustration. (Schéma B)
3. Après avoir inséré le tuyau d'alimentation au raccord, installez-le sur l'adaptateur du robinet et insérez-le sur le robinet comme indiqué dans le schéma. (Schéma C)
4. Serrez le raccord manuellement. En cas de fuite, utilisez une clé à molette ou une pince pour le faire.

⚠ Attention: Sécurisez le tuyau d'alimentation en eau à des points appropriés, au moyen de Colliers de fixation fournies pour éviter tout dommage, déplacement ou coupure accidentelle.

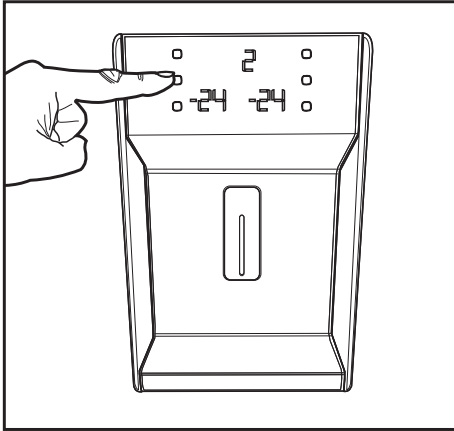
⚠ Attention: Après avoir tourné le robinet de prise d'eau, veillez à ce qu'il n'y ait pas de fuite aux deux points de raccordement du tuyau d'alimentation en eau. En cas de fuite, arrêtez la valve immédiatement et serrez tous les joints à nouveau à l'aide d'une clé à molette ou d'une pince.

⚠ Attention: Veillez à ce que l'installation de la valve standard $\frac{1}{2}$, alimentée par l'arrivée d'eau, soit disponible et complètement fermée.

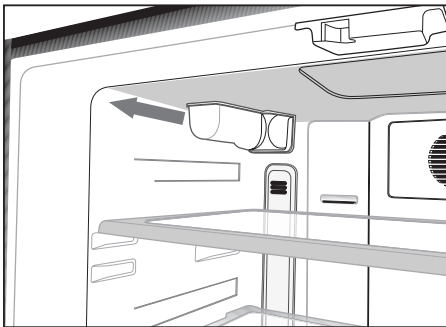


Pour installer le filtre à eau, suivez les instructions ci-dessous, renvoyant aux schémas fournis :

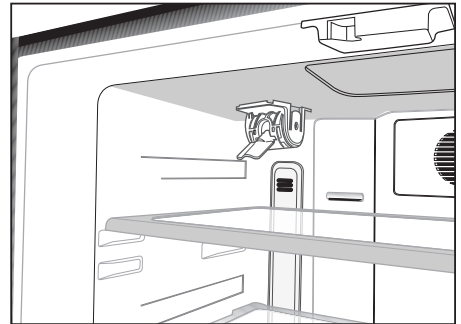
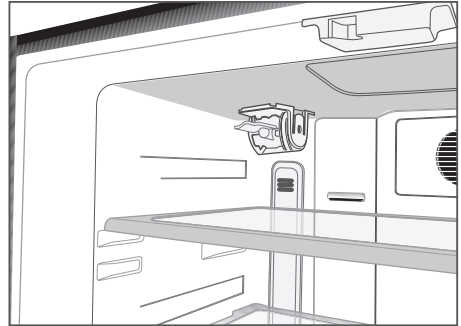
1. Appuyez sur le bouton d'annulation de glace à l'écran.



2. Retirez le couvercle du filtre du compartiment réfrigérateur en le tirant vers l'avant.



3. Retirez le couvercle de dérivation du filtre à eau en le faisant pivoter vers le bas.



⚠ Attention: Veillez à ce que le mode "Ice Off" soit actif avant de retirer le couvercle de dérivation.

Remarque : Il est tout à fait normal que quelques gouttes d'eau tombent après le retrait du couvercle.

4. Retirez le couvercle qui se trouve au-dessus du filtre à eau et mettez-le comme indiqué dans le schéma et tournez-le vers le haut pour le verrouiller.
5. Appuyez une nouvelle fois sur le bouton d'annulation de glace à l'écran pour quitter ce mode.

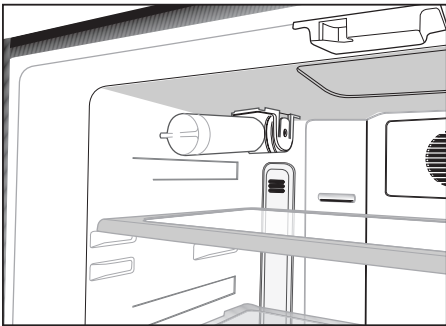
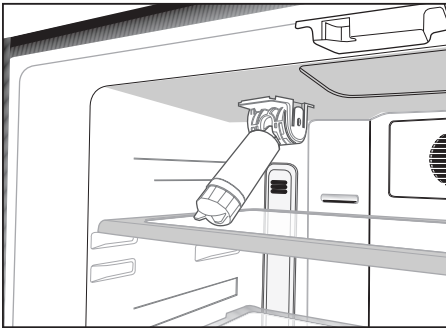
Le filtre à eau doit être remplacé tous les 6 mois.

Si vous souhaitez faire calculer automatiquement la durée d'utilisation du filtre avant son changement et en recevoir un avertissement à la fin du temps d'utilisation, veuillez vous reporter à la section "Calculer automatiquement la durée d'utilisation du filtre".

Le filtre à eau doit être retiré tel qu'illustré sur le schéma lorsqu'il sera remplacé ou ne sera plus utilisé et le couvercle de dérivation doit être fixé. Veuillez vous assurer que le mode "Ice Off" est actif avant de le sortir.

⚠ Attention: Le filtre à eau sert à nettoyer les corps étrangers dans l'eau. En conséquence, il ne débarrasse pas celle-ci des micro-organismes.

⚠ Attention: Appuyez sur le bouton "Ice Off" avant le remplacement du filtre à eau ou l'installation du couvercle de dérivation.



Avant toute première utilisation du distributeur d'eau

i La pression des tuyaux d'alimentation en eau ne doit pas être en dessous de 1 bar.

i La pression des tuyaux d'alimentation en eau ne doit pas être supérieure à 8 barres.

i Les pompes doivent être utilisées au cas où la pression des tuyaux d'alimentation en eau chute d'une barre ou si une carafe sera utilisée.

i Le réseau d'alimentation en eau du réfrigérateur doit être raccordé au tuyau d'alimentation. Il ne doit pas être raccordé à un tuyau d'alimentation en eau chaude.

i Aucune eau ne peut être obtenue au cours du fonctionnement initial du réfrigérateur. Cette situation est provoquée par l'air à l'intérieur du système. Pour vider l'air du système, appuyez sur la broche pendant une minute jusqu'à ce que l'eau sorte de la fontaine. Le débit d'eau peut être irrégulier au départ. Tout débit d'eau irrégulier sera normalisé après évacuation de l'air du système.

i Au cours du démarrage initial du réfrigérateur, il faut attendre environ 12 heures pour obtenir de l'eau fraîche.

i La pression des conduites principales d'eau doit être comprise entre 1 et 8 barres pour un bon fonctionnement de la glace/Refroidisseur d'eau. Pour cela, vérifiez qu'un verre d'eau (100 cc) peut se remplir en 10 secondes.

i Les 10 premiers verres d'eau ne doivent pas être consommés.

i Les 30 premiers glaçons environ à être obtenus de l'appareil à glaçons ne doivent pas être utilisés.

i Utilisez toujours le filtre à eau lorsqu'une carafe n'est pas utilisée.

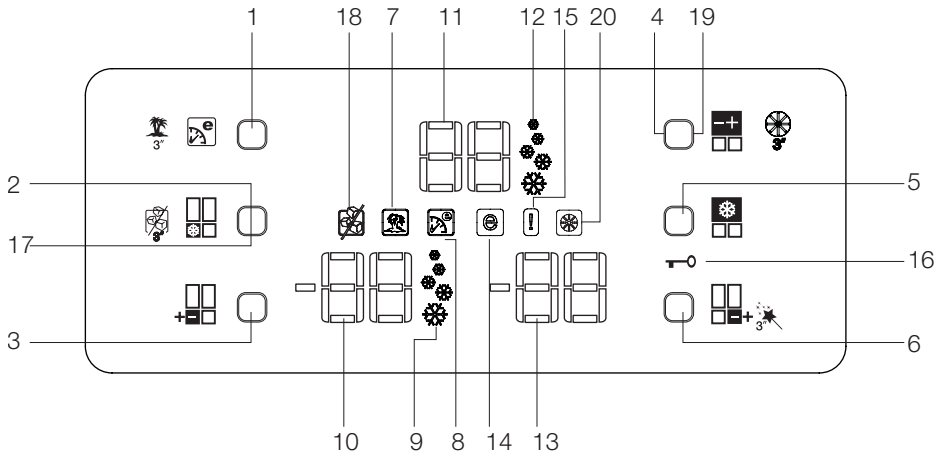
4 Préparation

- i** Votre réfrigérateur doit être installé à au moins 30 cm des sources de chaleur telles que les plaques de cuisson, les fours, appareils de chauffage ou cuisinières, et à au moins 5 cm des fours électriques. De même, il ne doit pas être exposé à la lumière directe du soleil.
- i** La température ambiante de la pièce où vous installez le réfrigérateur doit être d'au moins 10 °C. Faire fonctionner l'appareil sous des températures inférieures n'est pas recommandé et pourrait nuire à son efficacité.
- i** Veuillez vous assurer que l'intérieur de votre appareil est soigneusement nettoyé.
- i** Si deux réfrigérateurs sont installés côte à côte, ils doivent être séparés par au moins 2 cm.
- i** Lorsque vous faites fonctionner le réfrigérateur pour la première fois, assurez-vous de suivre les instructions suivantes pendant les six premières heures.
 - La porte ne doit pas être ouverte fréquemment.
 - Le réfrigérateur doit fonctionner à vide, sans denrées à l'intérieur.
 - Ne débranchez pas le réfrigérateur. Si une panne de courant se produit, veuillez vous reporter aux avertissements dans la section « Solutions recommandées aux problèmes ».
- i** L'emballage et les matériaux de protection d'emballage doivent être conservés pour les éventuels transports ou déplacements à venir.

5 Utilisation du réfrigérateur

Bandeau indicateur

Le bandeau indicateur à commande tactile vous permet de régler la température sans ouvrir la porte de votre réfrigérateur. Vous n'avez qu'à appuyer sur le bouton correspondant avec un doigt pour régler la température.



1. Bouton Eco Extra / Vacances
2. Bouton de congélation rapide
3. Bouton de réglage de température du compartiment de congélation
4. Bouton de réglage de température du compartiment de réfrigération
5. Bouton de refroidissement rapide
6. Bouton de réglage de température du compartiment Flexi Zone
7. Indicateur de Fonction Vacances
8. Indicateur de fonction Eco Extra
9. Indicateur Fonction Congélation rapide
10. Indicateur de température du compartiment de congélation
11. Indicateur de la température du compartiment réfrigérateur
12. Indicateur de la fonction de refroidissement rapide
13. Indicateur de température du compartiment Flexi Zone
14. Indicateur de mode Economie
15. Indicateur d'état de dysfonctionnement
16. Voyant verrouillage des commandes
17. Bouton d'annulation de glace
18. Indicateur Ice Off
19. Bouton d'avertissement d'annulation de changement de filtre
20. Indicateur d'avertissement de changement de filtre

1. Bouton Eco Extra / Vacances

Appuyez brièvement sur ce bouton pour activer la fonction Eco Extra. Appuyez sur ce bouton pendant 3 secondes pour activer la fonction Vacances. Appuyez de nouveau sur ce bouton pour désactiver la fonction sélectionnée.

2. Bouton de congélation rapide

Appuyez brièvement sur ce bouton pour activer la fonction Congélation rapide. Appuyez de nouveau sur ce bouton pour désactiver la fonction sélectionnée.

3. Bouton de réglage de température du compartiment de congélation

Appuyez sur ce bouton pour régler la température du compartiment de congélation à -18, -20, -22, -24, -18... respectivement. Appuyez sur ce bouton pour définir la température souhaitée pour le compartiment du congélateur.

4. Bouton de réglage de température du compartiment de réfrigération

Appuyez sur ce bouton pour régler la température du compartiment réfrigérateur à 8, 6, 4, 2, 8... respectivement. Appuyez sur ce bouton pour définir la température souhaitée pour le compartiment du réfrigérateur.

5. Bouton de refroidissement rapide

Appuyez brièvement sur ce bouton pour activer la fonction de Refroidissement rapide. Appuyez de nouveau sur ce bouton pour désactiver la fonction sélectionnée.

6. Bouton de réglage de température du compartiment Flexi Zone

Vous pouvez régler le compartiment Flexi Zone comme compartiment de réfrigérateur ou de congélateur. Appuyez sur ce bouton et maintenez-le enfoncé pendant longtemps (3 secondes) pour régler le compartiment Flexi Zone comme compartiment de réfrigérateur ou de congélateur. Ce compartiment est réglé

comme compartiment de congélation en usine.

Si le compartiment Flexi Zone est réglé comme congélateur, sa température changera de -18 à -20, -22, -24, -18... respectivement à chaque pression sur ce bouton. Si le compartiment Flexi Zone est réglé comme réfrigérateur, sa température changera de 10 à 8, 6, 4, 2... respectivement à chaque pression sur ce bouton.

7. Indicateur de Fonction Vacances

Il indique que la fonction vacances est en marche. Si cette fonction est active, "- -" s'affiche sur l'indicateur du compartiment du réfrigérateur, et aucun refroidissement n'est réalisé dans le compartiment du réfrigérateur. Les autres compartiments seront refroidis en fonction de la température définie pour leur fonctionnement.

Appuyez sur le bouton correspondant pour désactiver cette fonction.

8. Indicateur de fonction Eco Extra

Indique que la fonction Eco Extra est en marche. Si cette fonction est active, "votre réfrigérateur détectera automatiquement les dernières périodes d'utilisation et un refroidissement économe en énergie sera réalisé pendant ces périodes. L'indicateur d'économie est activé lorsque le refroidissement à économie d'énergie est réalisé.

Appuyez sur le bouton correspondant pour désactiver cette fonction.

9. Indicateur Fonction Congélation rapide

Indique que la fonction Congélation rapide est en marche. Utilisez cette fonction lorsque vous placez de la nourriture dans le compartiment de congélation ou lorsque vous avez besoin de glace. Lorsque cette fonction est active, votre réfrigérateur fonctionnera pendant une certaine période de temps.

Appuyez sur le bouton correspondant pour désactiver cette fonction.

10. Indicateur de température du compartiment de congélation

Indique le réglage de température pour le compartiment réfrigérateur.

11. Indicateur de la température du compartiment réfrigérateur

Indique le réglage de température pour le compartiment réfrigérateur.

12. Indicateur de la fonction de refroidissement rapide

Il indique que la fonction Refroidissement rapide est en marche. Utilisez cette fonction lorsque vous placez de la nourriture dans le compartiment réfrigérateur ou lorsque vous voulez refroidir rapidement vos denrées. Lorsque cette fonction est active, votre réfrigérateur fonctionnera pendant 2 heures d'affilée.

Appuyez sur le bouton correspondant pour désactiver cette fonction.

13. Indicateur de température du compartiment Flexi Zone

Indique le réglage de température pour le compartiment Flexi Zone.

14. Indicateur de mode Economie

Il indique que le réfrigérateur fonctionne en mode d'économie d'énergie. Température du compartiment de congélation

Cet indicateur sera activé si la fonction est réglée sur -18 ou si le refroidissement à économie d'énergie est réalisé suite à l'activation de la fonction Eco Extra.

15. Indicateur d'état de dysfonctionnement

Si votre réfrigérateur ne refroidit pas correctement ou s'il y a un dysfonctionnement dans un capteur, cet indicateur sera activé. Lorsque cet indicateur est activé, l'indicateur de la température du compartiment de congélation affichera "E" et l'indicateur de température du compartiment de réfrigérateur affichera des chiffres, par ex.: "1, 2, 3...". Ces nombres fournissent des informations concernant le dysfonctionnement au personnel de maintenance.

16. Voyant verrouillage des commandes

Utilisez cette fonction si vous souhaitez conserver les réglages de température du votre réfrigérateur. Appuyez sur le bouton Refroidissement rapide et le bouton de réglage de la température du compartiment Flexi Zone simultanément pendant longtemps (3 secondes environ) pour activer cette fonction.

Appuyez sur les boutons correspondants de nouveau pour désactiver cette fonction.

17. Bouton d'annulation de glace

Pour empêcher la formation de cristaux, appuyez sur le bouton d'annulation de glace pendant 3 secondes. Une fois l'option d'annulation de glace sélectionnée, l'eau ne sera plus envoyée dans le bac à glace. En dépit de ce phénomène, certains cristaux peuvent rester dans le bac à glace. Pour relancer le processus de formation de cristaux, vous devez appuyer sur le bouton d'annulation de glace pendant 3 secondes.

18. Indicateur d'annulation de glace

Si vous ne souhaitez pas obtenir de glace du réfrigérateur, nous vous conseillons d'utiliser cette fonction. Pour ce faire, appuyez sur le bouton d'annulation de glace pendant 3 secondes.

19. Bouton d'avertissement d'annulation de changement de filtre

Le filtre de votre réfrigérateur doit être remplacé tous les 6 mois. Votre réfrigérateur calcule ce temps de façon automatique et l'indicateur d'avertissement de changement de filtre s'allume lorsque la durée d'utilisation du filtre arrive à son terme. Appuyez sur le bouton d'avertissement d'annulation de changement de filtre pendant 3 secondes pour permettre au réfrigérateur de calculer automatiquement la durée d'utilisation du nouveau filtre après l'avoir installé.

20. Indicateur d'avertissement d'annulation de changement de filtre

Lorsque la durée d'utilisation du filtre est écoulée, l'indicateur d'avertissement de changement de filtre commence à s'allumer.

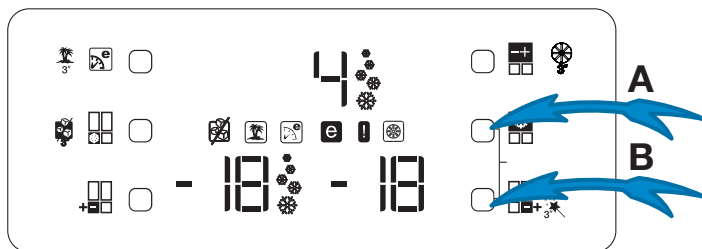
Alarme d'ouverture de porte:

Si l'une des portes du compartiment Réfrigérateur ou du compartiment Flexi Zone reste ouverte pendant au moins 1 minute, l'alarme d'ouverture de porte s'activera. Vous n'avez qu'à appuyer sur un bouton de l'indicateur ou fermer la porte pour éteindre l'alarme.

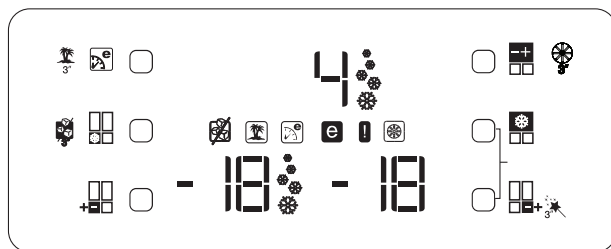
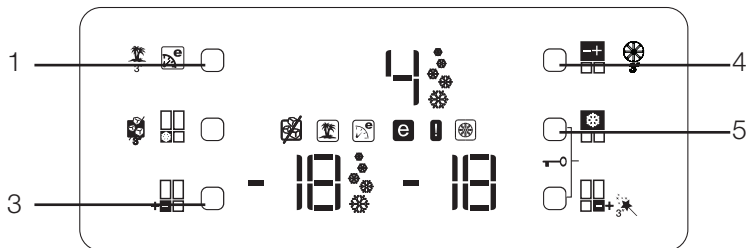
Pour que le calcul de la durée d'utilisation du filtre se fasse automatiquement

(Pour les appareils connectés au tuyau d'alimentation en eau principal et dotés d'un filtre)

1- Après avoir branché le réfrigérateur, appuyez simultanément sur les boutons A et B pour activer le verrouillage des commandes.



2- Ensuite, appuyez respectivement sur le bouton Eco-Extra (1), le bouton de réglage de la température du compartiment de réfrigération (4), le bouton de refroidissement rapide



(5), et sur les boutons de réglage de la température du compartiment de congélation (3).

Si vous appuyez sur le bouton de configuration dans l'ordre qui convient, le symbole de verrouillage de touche disparaîtra, l'avertisseur sonore sera activé peu de temps après, et l'indicateur d'avertissement de changement de filtre s'allume. Appuyez sur le bouton d'avertissement d'annulation de changement de filtre (bouton numéro 19) après avoir changé le filtre pour que la durée d'utilisation du filtre soit calculée automatiquement.

❗ Si le calcul du temps d'utilisation du filtre se fait de façon automatique, l'indicateur d'avertissement de changement de filtre s'allumera en quelques secondes après le branchement du produit.

❗ **Le calcul automatique du temps d'utilisation du filtre n'est pas actif en usine. Il doit être activé dans des produits dotés d'un filtre.**

❗ **Reprenez la même procédure avec les produits dont le calcul automatique du temps d'utilisation du filtre est activé afin de désactiver le calcul du temps d'utilisation du filtre.**

Casier à œufs

Vous pouvez installer le support à œufs sur un balconnet de la porte ou de l'intérieur que vous souhaitez.

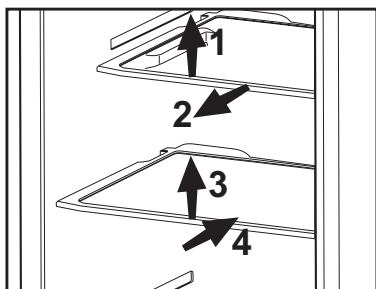
Ne placez jamais le support à œufs dans le compartiment de congélation.

Etagères coulissantes

Les étagères coulissantes peuvent être basculées légèrement en les soulevant par l'avant. Vous pouvez alors les coulisser ainsi vers l'avant et l'arrière. Lorsque vous les basculez, elles reposeront sur une butée vous permettant d'atteindre les denrées placées à l'arrière de l'étagère. Si vous tirez dessus après les avoir soulevées une fois arrivé à la seconde butée, l'étagère sera libérée.

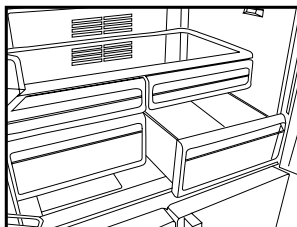
L'étagère doit être fermement maintenue par la bas pour éviter qu'elle ne bascule complètement. L'étagère est placée sur des rails sur les côtés du réfrigérateur. Vous pouvez la placer sur un niveau supérieur ou un niveau inférieur.

L'étagère doit être poussée pour revenir complètement en place.



Bac à légumes

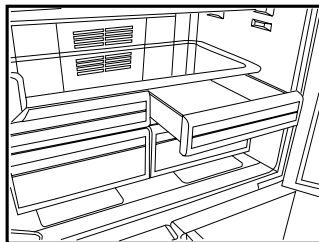
Le bac à légumes de votre réfrigérateur a été spécialement conçu pour vous aider à conserver vos denrées au frais sans que celles-ci n'aient à perdre de leur humidité. Dans cet objectif, l'air frais circule tout autour du bac à légumes. Enlevez les balconnets de porte alignés sur le bac à légumes avant d'enlever les bacs à légumes. Vous pouvez enlever les bacs à légumes comme illustré sur le schéma.



Compartiment Zone fraîche

Les compartiments de zone fraîche vous permettent de préparer les aliments à congeler. Vous pouvez également utiliser ces compartiments si vous souhaitez conserver vos aliments à une température quelque peu inférieure à celle du compartiment de réfrigération.

Vous pouvez augmenter le volume interne de votre réfrigérateur en enlevant le compartiment Zone fraîche souhaité. Pour ce faire, tirez le compartiment vers vous ; le compartiment s'appuiera contre la butée et s'arrêtera. Ce compartiment se libère en le soulevant d'environ 1 cm et en le tirant vers vous.



Section centrale modulable

La section modulable centrale est destinée à empêcher l'air froid à l'intérieur de réfrigérateur de s'échapper.

1- Un scèllement est fourni lorsque les joints d'étanchéité qui se trouvent sur la porte se retrouvent à la surface de la section centrale modulable quand les portes du compartiment réfrigérateur sont fermées.

2- Une autre explication à l'adoption d'une section centrale modulable est que cela permet d'augmenter le volume net du compartiment de réfrigération. Les sections centrales standards occupent une volume inutilisable dans le réfrigérateur.

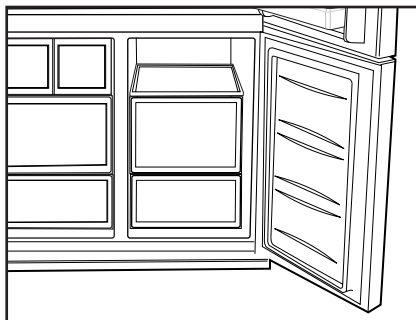
3- La section centrale modulable est fermée lorsque la porte gauche du compartiment réfrigérateur est également fermée.

4- Elle ne doit pas s'ouvrir manuellement. Elle se déplace sous le contrôle des pièces en plastique de la carrosserie lorsque la porte est fermée.

Compartiment Flexi Zone

Le compartiment de conservation Flexi Zone de votre réfrigérateur peut être utilisé dans n'importe quel mode en le réglant sur les températures du réfrigérateur (2/4/6/8 °C) ou du congélateur (-18/-20/-22/-24).

Vous pouvez conserver le compartiment à la température désirée avec le Bouton de réglage de la température du compartiment de conservation Flexi Zone. La température du compartiment de conservation Flexi Zone peut être réglée entre 0 et 10 degrés en plus des températures du compartiment du réfrigérateur et à -6 degrés en plus des températures du compartiment du congélateur. 0 degré est utilisé pour conserver les produits laitiers plus longtemps, -6 degrés est utilisé pour conserver les viandes jusqu'à 2 semaines dans un état permettant une découpe simplifiée.



i La fonction de passage à un compartiment réfrigérateur ou congélateur est possible grâce à un élément réfrigérant situé dans la section fermée (compartiment du compresseur) à l'arrière du réfrigérateur. Pendant le fonctionnement de cet élément, des bruits similaires à ceux provenant d'une horloge analogique peuvent être entendus. Ce phénomène est tout à fait normal et ne constitue nullement un dysfonctionnement.

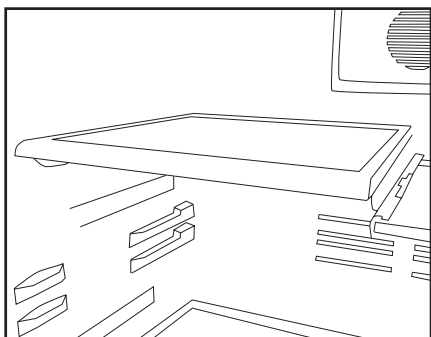
Éclairage bleu

Les denrées conservées dans les bacs à légumes sont éclairées par une lumière bleue qui, grâce aux effets de sa longueur d'onde, permet aux fruits et légumes de continuer la photosynthèse et ainsi de conserver leur fraîcheur et leur teneur en vitamines.



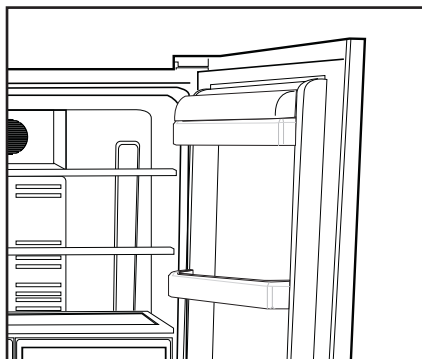
Etagères coulissantes avec fixations à l'arrière

Les étagères coulissantes à fixations à l'arrière peuvent être déplacées vers l'avant ou vers l'arrière. La hauteur de ces étagères peut faire l'objet d'un ajustement. Pour ce faire, enlevez lesdits étagères, puis les installez à nouveau dans les positions inférieures. Soulevez légèrement l'échelle et tirez-la vers vous pour la retirer.



Section pour Beurre et Fromages

Vous pouvez conserver des denrées comme le beurre, le fromage, et la margarine, dans ce compartiment doté d'un couvercle.

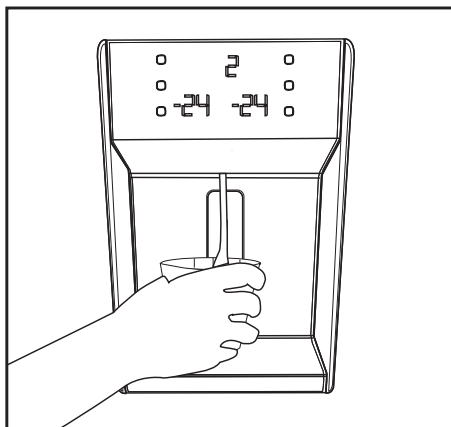


Utilisation de la fontaine

Avertissements

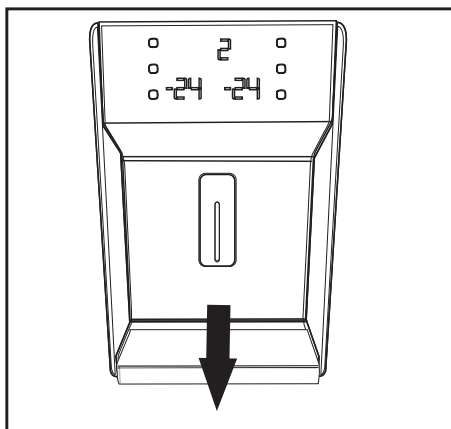
Il est tout à fait normal que les premiers verres d'eau tirés du distributeur soient chauds.

Dans des cas où le distributeur n'a pas été utilisé fréquemment, une quantité d'eau suffisante doit y être retirée afin d'obtenir de l'eau fraîche.



Socket du distributeur

Les gouttes d'eau qui tombent au cours de leur utilisation, s'accumulent dans le socle du distributeur. Vous pouvez enlever le bac à projections en le tirant vers vous ou en appuyant sur son bord (selon le modèle). Vous pouvez retirer l'eau à l'aide d'une éponge ou d'un chiffon doux.



Minibar

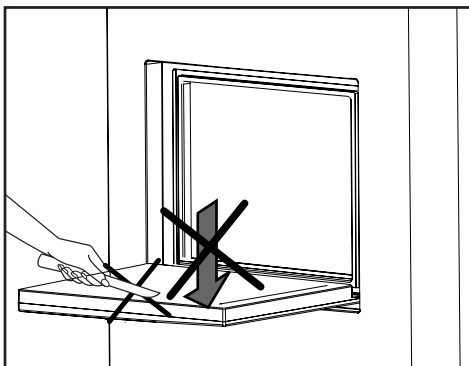
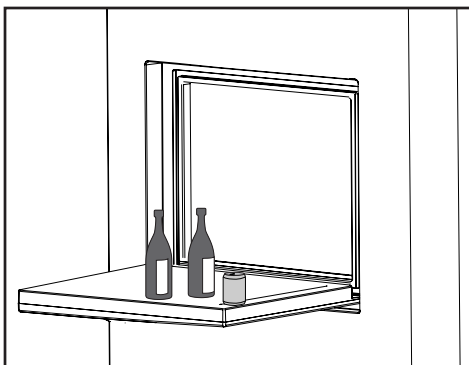
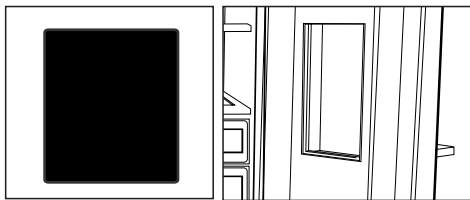
La porte du minibar vous donne encore plus de confort pendant l'utilisation de votre réfrigérateur. Vous pouvez avoir accès à l'étagère de la porte qui se trouve dans le réfrigérateur sans ouvrir la porte du réfrigérateur; grâce à cette fonction, vous pouvez facilement retirer les denrées et boissons fréquemment consommées du réfrigérateur. Comme vous n'avez pas besoin d'ouvrir la porte du réfrigérateur fréquemment, vous réduirez ainsi la consommation électrique de votre appareil.

Appuyez manuellement sur le minibar et tirez pour ouvrir la porte.

Quand la porte du minibar est ouverte, vous pouvez utiliser la partie interne de cette porte comme table sur laquelle vous pouvez mettre vos bouteilles et verres pendant une courte durée, tel qu'indiqué dans le schéma.

⚠ Attention: Évitez tout ce qui peut exercer une pression sur la porte. Évitez par exemple de vous asseoir, de grimper, ou encore de vous accrocher sur la table et n'y posez pas d'objets lourds. Dans le cas contraire, vous pouvez endommager le réfrigérateur ou occasionner des blessures personnelles.

⚠ Attention: Évitez de vous servir de la porte du minibar pour couper un objet et veillez à ce que cette porte ne soit pas endommagée par des objets pointus.



6 Nettoyage et entretien

- ⚠ N'utilisez jamais d'essence, de benzène ou de matériaux similaires pour le nettoyage.
- ⚠ Nous vous recommandons de débrancher l'appareil avant de procéder au nettoyage.
- ℹ N'utilisez jamais d'ustensiles tranchants, savon, produit de nettoyage domestique, détergent et cirage pour le nettoyage.
- ℹ Utilisez de l'eau tiède pour nettoyer la carrosserie du réfrigérateur et séchez-la soigneusement à l'aide d'un chiffon.
- ℹ Utilisez un chiffon humide imbibé d'une solution composée d'une cuillère à café de bicarbonate de soude pour un demi litre d'eau pour nettoyer l'intérieur et séchez soigneusement.
- ⚠ Prenez soin de ne pas faire couler d'eau dans le logement de la lampe et dans d'autres éléments électriques.
- ⚠ En cas de non utilisation de votre réfrigérateur pendant une période prolongée, débranchez le câble d'alimentation, sortez toutes les denrées, nettoyez-le et laissez la porte entrouverte.
- ℹ Inspectez les joints de porte régulièrement pour vérifier qu'ils sont propres et qu'il n'y a pas de particules de nourriture.
- ⚠ Pour retirer les balconnets de portes, sortez tout son contenu puis poussez simplement le balconnet vers le haut à partir de la base.

Protection des surfaces en plastique.

- ℹ Ne placez pas d'huiles ou de plats huileux dans le réfrigérateur dans des récipients non fermés, car les graisses peuvent endommager les surfaces en plastique du réfrigérateur. Si vous versez ou éclaboussez de l'huile sur les surfaces en plastique, nettoyez et lavez les parties souillées avec de l'eau chaude immédiatement.

7 Solutions recommandées aux problèmes

Veillez vérifier la liste suivante avant d'appeler le service après-vente. Cela peut vous faire économiser du temps et de l'argent. Cette liste regroupe les problèmes les plus fréquents ne provenant pas d'un défaut de fabrication ou d'utilisation du matériel. Il se peut que certaines des fonctions décrites ne soient pas présentes sur votre produit.

Le réfrigérateur ne fonctionne pas.

- Le réfrigérateur est-il correctement branché ? Insérez la prise dans la prise murale.
- Est-ce que le fusible ou la douille de raccord du réfrigérateur sont connectés ou est-ce que le fusible principal a sauté ? Vérifiez le fusible.

Condensation sur la paroi intérieure du compartiment réfrigérateur. (MULTIZONE, COOL CONTROL et FLEXI ZONE).

- Température ambiante très basse. Ouvertures et fermetures fréquentes de la porte. Humidité ambiante très élevée. Conservation de denrées liquides dans des récipients ouverts. Porte laissée entrouverte. Réglez le thermostat à un niveau de froid supérieur.
- Réduisez les temps d'ouverture de la porte ou utilisez-la moins fréquemment.
- Couvrez les denrées dans des récipients ouverts à l'aide d'un matériau adapté.
- Essuyez la condensation à l'aide d'un tissu sec et vérifiez si elle persiste.

Le compresseur ne fonctionne pas.

- Le dispositif de protection thermique du compresseur sautera en cas de coupures soudaines du courant ou de débranchement intempestif, en effet la pression du liquide réfrigérant du système de refroidissement ne sera pas équilibrée. Le réfrigérateur recommencera à fonctionner normalement après 6 minutes environ. Veuillez contacter le service après-vente si le réfrigérateur ne redémarre pas après cette période.
- Le réfrigérateur est en mode de dégivrage. Cela est normal pour un réfrigérateur à dégivrage semi-automatique. Le cycle de dégivrage se déclenche régulièrement.
- Le réfrigérateur n'est pas branché à la prise. Assurez-vous que la prise est branchée à la prise murale.
- Les réglages de température sont-ils corrects ?
- Il se peut qu'il y ait une panne d'électricité.

Le réfrigérateur fonctionne fréquemment ou pendant de longues périodes.

- Votre nouveau réfrigérateur est peut être plus large que l'ancien. Ceci est tout à fait normal. Les grands réfrigérateurs fonctionnent pendant une période de temps plus longue.
- La température ambiante de la salle peut être élevée. Ceci est tout à fait normal.
- Le réfrigérateur pourrait y avoir été branché tout récemment ou pourrait avoir été chargé de denrées alimentaires. Le refroidissement complet du réfrigérateur peut durer quelques heures de plus.
- D'importantes quantités de denrées chaudes ont peut être été introduites dans le réfrigérateur récemment. Les denrées chaudes provoquent un fonctionnement prolongé du réfrigérateur avant d'atteindre le niveau de température de conservation raisonnable.
- Les portes ont peut être été ouvertes fréquemment ou laissées entrouvertes pendant une durée prolongée. L'air chaud qui entre dans le réfrigérateur le fait fonctionner pendant de plus longues périodes. Ouvrez les portes moins souvent.
- La porte du réfrigérateur ou du congélateur ont peut être été laissées entrouvertes. Vérifiez que les portes sont bien fermées.
- Le réfrigérateur est réglé à une température très basse. Réglez la température du réfrigérateur à un degré supérieur et attendez jusqu'à ce que la température soit bonne.
- Le joint de la porte du réfrigérateur ou du congélateur peut être sale, déchiré, rompu ou mal en place. Nettoyez ou remplacez le joint. Tout joint endommagé/déchiré fait fonctionner le réfrigérateur pendant une période de temps plus longue afin de conserver la température actuelle.

La température du congélateur est très basse alors que celle du réfrigérateur est correcte.

- La température du congélateur est réglée à une température très basse. Réglez la température du congélateur à un degré supérieur et vérifiez.

La température du réfrigérateur est très basse alors que celle du congélateur est correcte.

- Il se peut que la température du réfrigérateur a réglée à une température très basse. Réglez la température du réfrigérateur à un degré supérieur et vérifiez.

Les denrées conservées dans les tiroirs du compartiment de réfrigération congèlent.

- Il se peut que la température du réfrigérateur a réglée à une température très basse. Réglez la température du réfrigérateur à un degré supérieur et vérifiez.

La température dans le réfrigérateur ou le congélateur est très élevée.

- La température du réfrigérateur a peut être été réglée à un degré très élevé. Le réglage du réfrigérateur a un effet sur la température du congélateur. Modifiez la température du réfrigérateur ou du congélateur jusqu'à ce qu'elles atteignent un niveau correct.
- Les portes ont peut être été ouvertes fréquemment ou laissées entrouvertes pendant une durée prolongée; ouvrez-les moins fréquemment.
- La porte est peut être restée ouverte; refermez complètement la porte.
- D'importantes quantités de denrées chaudes ont peut être été introduites dans le réfrigérateur récemment. Attendez que le réfrigérateur ou le congélateur atteigne la bonne température.
- Le réfrigérateur y a peut être été branché récemment. Le refroidissement complet du réfrigérateur nécessite du temps.

Le niveau sonore augmente lorsque le réfrigérateur est en marche.
<ul style="list-style-type: none"> • Les caractéristiques de performance du réfrigérateur peuvent changer en raison des variations de la température ambiante. Cela est normal et n'est pas un défaut.
Vibrations ou bruits
<ul style="list-style-type: none"> • Le sol n'est pas plat ou n'est pas solide. Le réfrigérateur oscille lorsqu'on le bouge lentement. Assurez-vous que le sol est plat et suffisamment solide pour supporter le réfrigérateur. • Les bruits peuvent être produits par les objets placés sur le réfrigérateur. Enlevez tout ce qu'il y a au-dessus du réfrigérateur.
Le réfrigérateur produit des bruits semblables à de l'eau qui coule ou à la pulvérisation d'un liquide.
<ul style="list-style-type: none"> • Des écoulements de gaz et de liquides se produisent dans le réfrigérateur, de par ses principes de fonctionnement. Cela est normal et n'est pas un défaut.
Le réfrigérateur produit des bruits semblables à du vent.
<ul style="list-style-type: none"> • Les ventilateurs sont utilisés pour refroidir le réfrigérateur. Cela est normal et n'est pas un défaut.
Condensation sur les parois intérieures du réfrigérateur.
<ul style="list-style-type: none"> • Un temps chaud et humide augmente la formation de givre et de condensation. Cela est normal et n'est pas un défaut. • La porte est peut être restée ouverte; assurez-vous que les portes sont complètement fermées. • Les portes ont peut être été ouvertes fréquemment ou laissées entrouvertes pendant une durée prolongée; ouvrez-les moins fréquemment.
De l'humidité est présente à l'extérieur ou entre les portes du réfrigérateur.
<ul style="list-style-type: none"> • Il y a peut être de l'humidité dans l'air; ceci est tout à fait normal par un temps humide. Lorsque l'humidité est faible, la condensation disparaîtra.
Présence d'une mauvaise odeur dans le réfrigérateur.
<ul style="list-style-type: none"> • L'intérieur du réfrigérateur doit être nettoyé. Nettoyez l'intérieur du réfrigérateur avec une éponge, de l'eau tiède ou de l'eau gazeuse. • Certains récipients ou matériaux d'emballage peuvent provoquer ces odeurs. Utilisez un autre récipient ou changez de marque de matériau d'emballage.
La porte ne se ferme pas.
<ul style="list-style-type: none"> • Des récipients peuvent empêcher la fermeture de la porte. Remplacez les emballages qui obstruent la porte. • Le réfrigérateur n'est pas complètement vertical et peut balancer lorsqu'on le bouge légèrement. Réglez les vis de levage. • Le sol n'est pas plat ou solide. Assurez-vous que le sol est plat et qu'il peut supporter le réfrigérateur.
Les bacs à légumes sont coincés.
<ul style="list-style-type: none"> • Il se peut que les denrées touchent le plafond du tiroir. Disposez à nouveau les denrées dans le tiroir.

Пожалуйста, сначала прочтите данное руководство!

Уважаемый покупатель!

Надеемся, что наше изделие, выпущенное на современных предприятиях, и проверенное с помощью самых тщательных процедур контроля качества, будет надежно служить вам.

Поэтому, прежде чем пользоваться изделием, рекомендуем внимательно и полностью изучить данное руководство и хранить его под рукой для использования в справочных целях в будущем.

Данное руководство

- Поможет вам быстро и безопасно пользоваться изделием.
- Прежде чем устанавливать изделие и пользоваться им, прочтите руководство.
- Соблюдайте инструкции, особенно в отношении техники безопасности.
- Храните руководство в легко доступном месте, так как оно может понадобиться вам в будущем.
- Кроме того, прочитайте другие документы, поставляющиеся в комплекте с изделием.

Просим учесть, что данное руководство по эксплуатации может применяться и для других моделей.

Символы и их описания

В данном руководстве по эксплуатации используются следующие символы:



Важная информация или полезные советы по эксплуатации.



Предупреждение об опасности для жизни и имущества.



Предупреждение об опасном напряжении электросети.



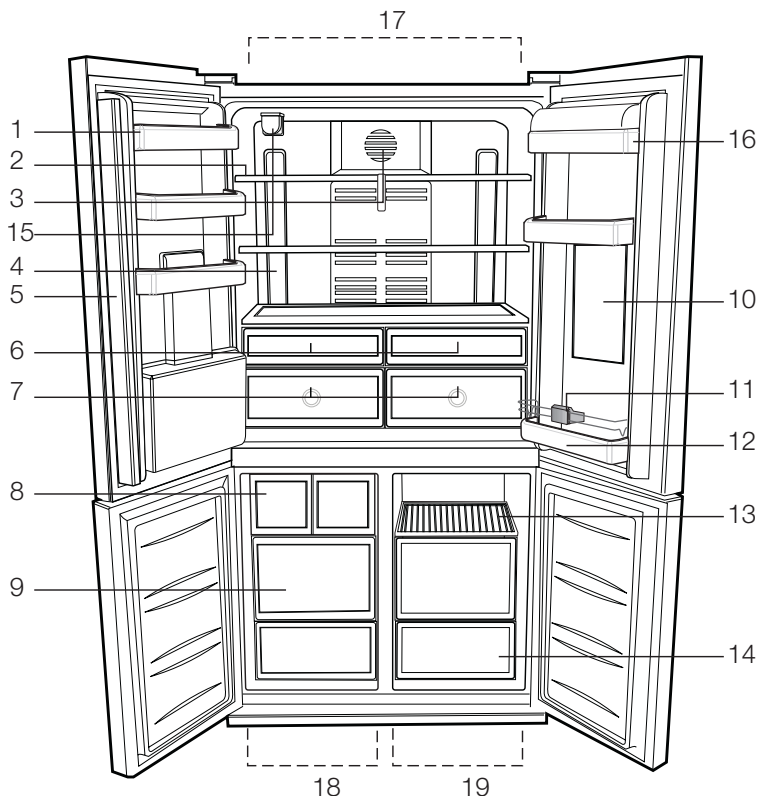
На данное изделие нанесен символ избирательной сортировки для отходов электрического и электронного оборудования (WEEE).

Это значит, что с данным изделием следует обращаться в соответствии с Европейской Директивой 2002/96/ЕС с целью его переработки или разборки для уменьшения отрицательного воздействия на окружающую среду. За дополнительной информацией обратитесь в местные или региональные органы власти.

Электронная техника, не включенная в процесс избирательной сортировки отходов, представляет потенциальную опасность для окружающей среды и здоровья людей из-за наличия в ней опасных веществ.

1 Холодильник	3	4 Подготовка	16
2 Важные указания по технике безопасности	4	5 Пользование холодильником	17
Использование по назначению	4	Панель индикаторов	17
Для изделий с раздатчиком охлажденной воды:	6	Сигнал открытия дверцы	20
Безопасность детей	6	Рекомендации по автоматическому определению времени использования фильтра	21
Предупреждение органов здравоохранения	6	Выдвижные полки	22
Рекомендации по экономии электроэнергии	6	Лоток для яиц	22
3 Установка	7	Контейнер для фруктов и овощей	22
Что следует учитывать при транспортировке холодильника	7	Отделение охладителя	22
Перед эксплуатацией холодильника	7	Съемное среднее отделение	23
Подключение к электросети	8	Отделение для хранения продуктов Flexi Zone	23
Утилизация упаковки	8	Синий свет	23
Утилизация старого холодильника	8	Скользящие полки с задними креплениями	24
Размещение и установка	8	Полка для масла и сыра	24
Регулировка положения на полу	9	Пользование краном подачи воды	24
Регулировка зазора между верхними дверцами	9	Лоток для разлитых продуктов	24
Установка водяного фильтра	11	Мини-бар	25
Подключение водопроводной трубы к холодильнику	11	6 Чистка и уход	26
Подсоединение шланга подачи воды к баку	12	Защита пластмассовых поверхностей	26
Подключение водопроводной трубы к водопроводной линии	13	7 Рекомендации по устранению неисправностей	27
Прежде чем использовать распределитель воды	15		

1 Холодильник



- | | |
|--|--|
| 1- Полки в дверце холодильного отделения | 10- Мини-бар |
| 2- Стеклопальные полки холодильного отделения | 11- Держатель для бутылок |
| 3- Крышка рассеивателя | 12- Полка для бутылок |
| 4- Рассеиватель лампочки освещения | 13- Полки отделения для хранения продуктов |
| 5- Съёмное среднее отделение | 14- Отделения для хранения продуктов |
| 6- Отделение охладителя | 15- Водяной фильтр |
| 7- Контейнер для фруктов и овощей | 16- Полка для масла и сыра |
| 8- Icematic (ледогенератор) | 17- Холодильное отделение |
| 9- Отделения для хранения замороженных продуктов | 18- Морозильное отделение |
| | 19- Отделение Flexi Zone |

! Цифры, приведенные в данном руководстве по эксплуатации, являются схематическими и могут не полностью соответствовать вашему изделию. Если некоторые компоненты не входят в состав приобретенного вами изделия, они действительны для других моделей.

2 Важные указания по технике

Безопасности

Обязательно ознакомьтесь со следующей информацией. Игнорирование данной информации может привести к причинению травм или повреждению имущества. Кроме того, гарантийные обязательства и обязательства по эксплуатационной надёжности утратят силу. Срок службы приобретенного вами изделия составляет 10 лет. Это срок, в течение которого предоставляются запасные части, необходимые для нормальной работы изделия.

Использование по назначению

Это изделие предназначено для использования

- в помещении и на закрытых пространствах, например, в доме;
- в закрытых рабочих помещениях, например, в магазинах и офисах;
- в закрытых жилых помещениях, например, в загородных домах, гостиницах, пансионах.
- Это изделие предназначено для использования только в помещении.

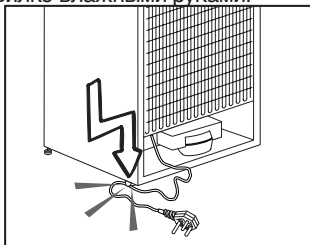
Общие правила техники безопасности

- В случае необходимости утилизировать или уничтожить изделие для получения необходимой информации рекомендуется обратиться в фирменный сервисный центр, а также в местные органы власти.
- По всем вопросам, касающимся холодильника, обращайтесь в фирменный сервисный центр. Не вмешивайтесь в работу изделия и не разрешайте этого другим без уведомления фирменного сервисного центра.
- Для изделий с морозильным отделением: не ешьте мороженое в рожках и кубики льда сразу после их извлечения из морозильного отделения! (Это может вызвать обморожение полости рта.)
- Для изделий с морозильным отделением: не помещайте напитки

в бутылках и банках в морозильное отделение. Они могут лопнуть.

- Не дотрагивайтесь до замороженных продуктов – они могут примерзнуть к рукам.
- Отключайте холодильник от сети перед чисткой или размораживанием.
- Ни в коем случае не используйте для чистки и размораживания холодильника пар или аэрозольные чистящие средства. В этом случае пар может попасть на электрические компоненты, что приведет к короткому замыканию или поражению электрическим током.
- Ни в коем случае не используйте холодильник или его части (например, дверцу) в качестве подставки или опоры.
- Не используйте электрические приборы внутри холодильника.
- Не допускайте повреждения частей, в которых циркулирует хладагент, используя режущие или сверлильные инструменты. Хладагент может вырваться из пробитого испарителя, трубопроводов или покрытий поверхности и вызвать раздражение кожи и поражение глаз.
- Ни в коем случае не закрывайте и не закупоривайте вентиляционные отверстия холодильника.
- Ремонт электрического оборудования должны производить только квалифицированные специалисты. Ремонт, выполненный некомпетентными лицами, может создать опасность для потребителя.
- В случае неполадок во время эксплуатации, а также при проведении техобслуживания или ремонта отключите холодильник, выключив соответствующий предохранитель или вынув шнур питания из розетки.
- Не тяните за сетевой шнур, вынимая вилку из розетки.
- Крепкие спиртные напитки следует хранить в плотно закрытом виде и вертикальном положении.
- Нельзя хранить в холодильнике банки с горючими и взрывоопасными веществами.

- Для ускорения процесса размораживания не используйте механические устройства или другие средства, кроме тех, которые рекомендованы производителем.
- Данный электроприбор не предназначен для использования лицами (включая детей) с ограниченными физическими, сенсорными и интеллектуальными возможностями либо не имеющими опыта и знаний. Они могут пользоваться электроприбором только под наблюдением лица, ответственного за их безопасность, или под его руководством.
- Ни в коем случае нельзя пользоваться неисправным холодильником. При возникновении вопроса обращайтесь к квалифицированному специалисту.
- Электрическая безопасность гарантируется только в том случае, если система заземления в вашем доме соответствует стандартам.
- Воздействие на устройство дождя, снега, солнца или ветра опасно с точки зрения электробезопасности.
- В случае повреждения шнура питания и т.п. обратитесь в фирменный сервисный центр, чтобы не подвергать себя опасности.
- Ни в коем случае нельзя включать холодильник в розетку во время установки. Это может привести к серьезным травмам или смерти.
- Этот холодильник предназначен только для хранения пищевых продуктов. Его нельзя использовать для каких-либо иных целей.
- Табличка с техническими характеристиками находится слева на внутренней стенке холодильника.
- Ни в коем случае нельзя подключать холодильник к электронным системам экономии электроэнергии, поскольку это может привести к его поломке.
- При наличии в холодильнике синей подсветки не смотрите на нее через оптические устройства.
- При отключении от сети электропитания холодильника с ручным управлением подождите не менее 5 минут, прежде чем подключать его снова.
- В случае продажи изделия эту инструкцию по эксплуатации следует передать новому владельцу.
- При транспортировке холодильника избегайте повреждения шнура питания. Изгибание шнура питания может привести к возгоранию. Не ставьте на него тяжелые предметы. При подключении холодильника к сети электропитания не прикасайтесь к вилке влажными руками.



- Ни в коем случае нельзя подключать холодильник к плохо закрепленной стенной розетке сети электропитания.
- Из соображений безопасности не допускайте попадания воды на внешние или внутренние части холодильника.
- Не распыляйте рядом с холодильником воспламеняющиеся газы, такие как газ пропан, ввиду риска пожара или взрыва.
- Не ставьте сосуды с водой на холодильник, поскольку это может привести к поражению электрическим током или пожару.
- Не загружайте холодильник продуктами сверх меры. Если холодильник перегружен, продукты могут выпасть при открытии дверцы и травмировать вас или повредить холодильник. Не кладите предметы на холодильник, поскольку они могут упасть при открытии или закрытии дверцы.
- В холодильнике нельзя хранить вещества, требующие определенных температурных условий, такие как вакцины, термочувствительные медикаменты, материалы для научных исследований и т.п.
- Холодильник следует отключить от электросети, если он не будет использоваться в течение длительного времени. Неисправность шнура

- питания может привести к возгоранию.
- Необходимо регулярно очищать концы вилки шнура электропитания; несоблюдение этого условия может привести к пожару.
- Необходимо регулярно очищать контакты вилки шнура питания сухой тканью. Несоблюдение этого правила может привести к пожару.
- Холодильник может смещаться, если регулируемые ножки не зафиксированы на полу. Фиксирование регулируемых ножек на полу предотвратит смещение холодильника.
- При перемещении холодильника не держите его за ручку. В противном случае он может сломаться.
- При установке холодильника расстояние между ним и другим холодильником или морозильником должно составлять минимум 8 см. В противном случае боковые прилегающие стенки будут увлажняться.

Для изделий с раздатчиком охлажденной воды:

Давление в водопроводной линии не должно быть ниже 1 бара. Давление в водопроводной линии не должно быть выше 8 бар.

- Используйте только питьевую воду.

Безопасность детей

- Если на дверце есть замок, ключ следует хранить в недоступном для детей месте.
- Следует присматривать за детьми и не разрешать им портить холодильник.

Предупреждение органов здравоохранения

Если система охлаждения вашего изделия содержит R600a:

Этот газ огнеопасен, поэтому будьте осторожны, чтобы не повредить

систему охлаждения и трубопроводы при эксплуатации и во время транспортировки. В случае повреждения уберите устройство подальше от потенциальных источников огня, которые могут привести к возгоранию, а также проветривайте помещение, в котором находится устройство.

Не обращайтесь внимания на предупреждение, если система охлаждения вашего изделия содержит R134a.

Тип газа, используемого изделием, указан на паспортной табличке, расположенной слева на внутренней стенке холодильника.

Не сжигайте изделие в целях утилизации.

Рекомендации по экономии электроэнергии

- Не оставляйте дверцу холодильника открытой на длительное время.
- Не кладите в холодильник горячие продукты или напитки.
- Не перегружайте холодильник, чтобы не нарушать циркуляцию воздуха.
- Не устанавливайте холодильник в местах, где на него попадают прямые солнечные лучи, или поблизости от источников тепла, таких как плита, посудомоечная машина или радиатор отопления.
- Следите за тем, чтобы контейнеры с продуктами были закрыты.
- Для изделий с морозильным отделением: в морозильное отделение холодильника можно заложить максимальное количество продуктов, если достать из него полку или ящик. Указанное в технических характеристиках энергопотребление холодильника определено при условии, что полка или ящик морозильного отделения извлечены, и в него загружено максимально возможное количество продуктов. Полку и ящик можно использовать для замораживания продуктов в соответствии с их формой и размером.
- Таяние замороженных продуктов в холодильном отделении обеспечит экономию электроэнергии и сохранение качества продуктов.

3 Установка

- ❗** Помните, что производитель не несет ответственности в случае несоблюдения указаний, приведенных в настоящем руководстве.

Что следует учитывать при транспортировке холодильника

1. Из холодильника следует вынуть все продукты и промыть его перед любой транспортировкой.
2. Перед упаковкой все полки, оборудование, контейнеры для фруктов и овощей и т.п. в холодильнике должны быть хорошо закреплены от тряски при помощи клейкой ленты.
3. Упаковывая холодильник с помощью плотных лент и прочных веревок, следует придерживаться правил транспортировки, напечатанных на упаковке.

❗ Помните!

Вторичное использование материалов очень важно для сохранения природы и наших национальных богатств.

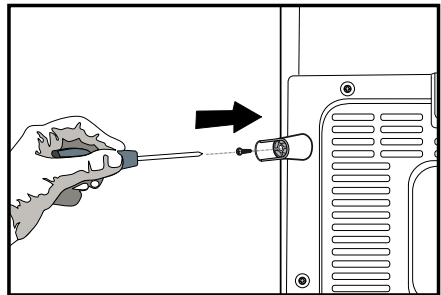
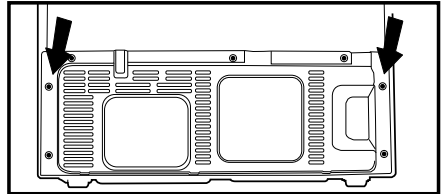
Если вы хотите отправить на переработку материалы упаковки, более подробную информацию можно получить в экологических учреждениях или в органах местной власти.

Перед эксплуатацией холодильника

Перед началом эксплуатации изделия проверьте следующее:

1. Сухо ли внутри холодильника, и может ли воздух свободно циркулировать позади него?
2. Вставьте 2 пластиковых клина на задней вентиляционной крышке, как показано на следующем рисунке. Для этого отвинтите имеющиеся винты и воспользуйтесь винтами из упаковки с клиньями.

Пластиковые клинья обеспечат необходимое расстояние между холодильником и стеной для надлежащей циркуляции воздуха.



3. Выполните чистку холодильника в соответствии с рекомендациями, приведенными в разделе «Обслуживание и чистка».
4. Включите холодильник в сеть. При открытии дверцы загорается лампочка внутреннего освещения.
5. При запуске компрессора будет слышен шум. Жидкость и газы, находящиеся внутри герметичной системы охлаждения, также могут создавать шум, независимо от того, работает компрессор или нет, что является вполне нормальным явлением.
6. Передние кромки холодильника могут казаться теплыми. Это нормально. Эти области должны нагреваться, чтобы избежать конденсации.

Подключение к электросети

Подсоедините морозильную камеру к правильно установленной заземленной розетке, защищенной предохранителем с соответствующим номиналом.

Важно!

- ⚠ Подключение следует выполнять в соответствии с действующими в стране правилами.
- ⚠ Вилка сетевого шнура должна быть легко доступна после установки.
- ⚠ Напряжение и допустимые параметры предохранителей указаны в разделе «Технические характеристики».
- ⚠ Напряжение в сети должно соответствовать указанному напряжению.
- ⚠ Запрещается использовать при установке удлинители и многоконтактные штепсельные вилки.
- ⚠ Поврежденный шнур питания должен быть заменен квалифицированным электриком.
- ⚠ Запрещается пользоваться изделием до его ремонта. Имеется опасность поражения электрическим током.

Утилизация упаковки

- ⚠ Упаковочные материалы могут быть опасны для детей. Храните упаковочный материал в недоступном для детей месте или утилизируйте его, рассортировав в соответствии с правилами утилизации отходов. Не утилизируйте их вместе с обычными бытовыми отходами.

Упаковочные материалы холодильника изготовлены из материалов, подлежащих вторичной переработке.

Утилизация старого холодильника

Утилизация старого изделия должна выполняться экологически безопасным способом.

- ⚠ Чтобы узнать, как утилизировать изделие, вы можете обратиться к авторизованному дилеру или в пункт сбора отходов по месту жительства.
- ⚠ Прежде чем утилизировать

холодильник, отрежьте шнур питания и, в случае наличия замков на дверце, выведите их из строя, чтобы предотвратить создание опасных ситуаций для детей.

Размещение и установка

- ⚠ Внимание! Не включайте холодильник в розетку во время его установки. В противном случае, существует опасность получения серьезных травм или смертельного случая.

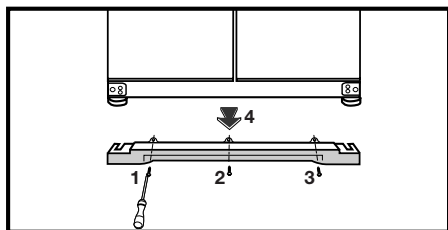
- ⚠ Если дверь помещения, в котором будет установлен холодильник, недостаточно широка, обратитесь в авторизованный сервисный центр за помощью в снятии дверец холодильника и протестируйте в дверь холодильника боком.

1. Устанавливайте холодильник в месте, удобном для его использования.
2. Холодильник должен находиться в месте, удаленном от источника тепла, мест повышенной влажности, защищенном от прямых солнечных лучей.
3. Для более эффективной работы необходимо обеспечить хорошую вентиляцию вокруг холодильника. Если холодильник устанавливается в нише стены, минимальное расстояние до потолка должно составлять не менее 5 см и 5 см до стены. Если пол имеет ковровое покрытие, следует поднять холодильник на 2,5 см над уровнем пола.
4. Холодильник должен стоять на ровной поверхности для того, чтобы не возникла тряска.
5. Температура помещения, в котором находится холодильник, не должна быть меньше 10°C.

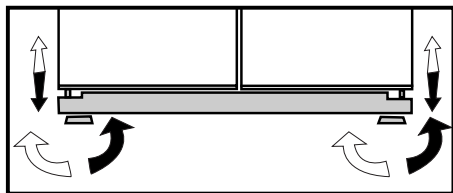
Регулировка положения на полу

⚠ Если холодильник расположен неустойчиво:

⚠ Отсоедините его от электросети. В течение регулировки положения на полу холодильник должен быть отсоединен от электросети. Имеется опасность поражения электрическим током.



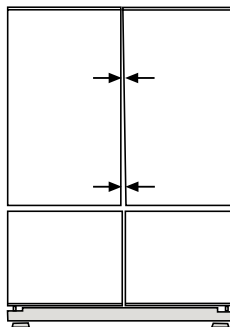
1- Отвинтите винты, которые держат вентиляционную крышку, как показано на рисунке. Вы можете отрегулировать устойчивое положение холодильника вращением передних ножек, как показано на рисунке. Угол холодильника, под которым находится ножка, будет опускаться, если поворачивать ее в направлении черной стрелки, или подниматься, если поворачивать ее в противоположном направлении. Если слегка приподнять холодильник, это облегчит процесс.



2. После того, как процесс балансировки завершен, установите вентиляционную крышку на место и закрепите ее винтами.

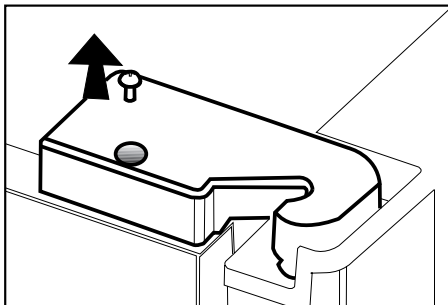
3. Отвинтите винты, которые держат нижнюю вентиляционную крышку, используя для этого отвертку Philips.

Регулировка зазора между верхними дверцами

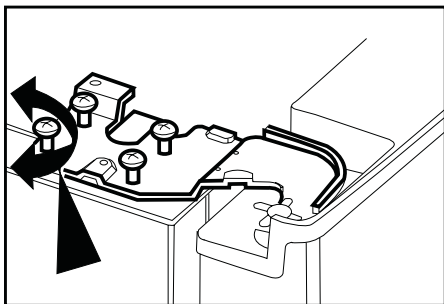


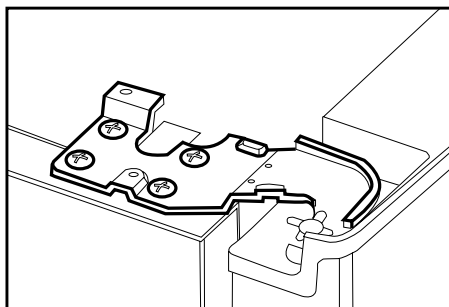
ⓘ Вы можете отрегулировать зазор между дверцами холодильной камеры, как указано на рисунке.

Во время регулировки дверей по высоте двери холодильника должны быть пустыми.

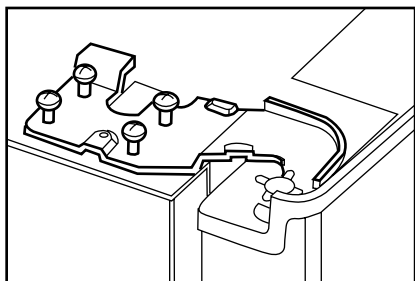


ⓘ Используя отвертку, выньте винт из крышки верхней петли той двери, которую нужно отрегулировать.

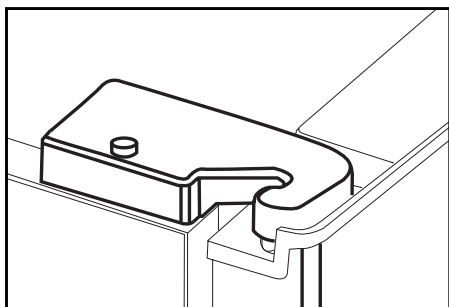




i Отрегулируйте дверь по своему усмотрению, немного ослабляя винты.



i Зафиксируйте отрегулированную дверь, затянув винты, не изменяя положения двери.



i Установите на место крышку петли и зафиксируйте винтом.

Установка водяного фильтра

(в некоторых моделях)

Для подачи воды к холодильнику можно подсоединить два разных источника воды: линию подачи холодной воды и воду из бака.

Требования по установке

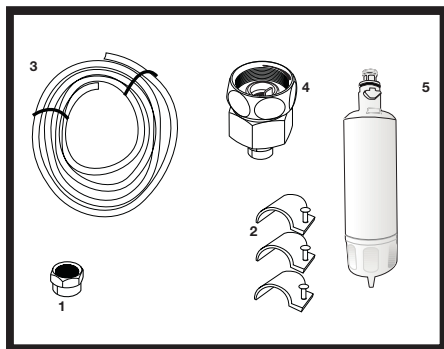
Во втором случае следует использовать насос.

Проверьте, входят ли указанные ниже запчасти в комплект поставки холодильника.

1. Гайка для подключения водопроводной трубы к задней стороне прибора. (Если она не подходит, обратитесь в ближайшую авторизованную сервисную службу.)
2. 2 скобы водосточной трубы (если они требуются для крепления водосточной трубы).

Примечание. В случае использования воды из бака эти запчасти не требуются, поэтому могут не входить в комплект поставки.

3. 5-метровая водопроводная труба (диаметром 1/2 дюйма).
4. Клапан в водопроводной линии с сетчатым фильтром (переходная втулка).
5. Водяной фильтр или фильтр, присоединяемый снаружи, следует прикрепить к скобе внутри холодильной камеры.



Сначала определите место крепления внешнего фильтра. (Относится к фильтру, используемому вне холодильника.) Затем измерьте расстояние между фильтром и холодильником и необходимую длину шланга от фильтра до отверстия подачи воды.

Водяной фильтр должен находиться в вертикальном положении, как показано на рисунке. Крайне важно правильно прикрепить фильтр к отверстиям подачи и слива воды.

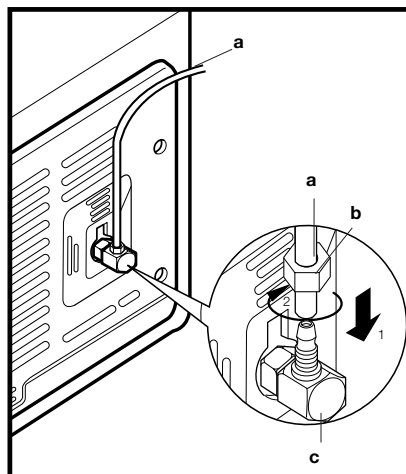
Установив фильтр, не используйте первые 3-4 стакана воды.

Подключение водопроводной трубы к холодильнику.

1. После установки гайки на водопроводную трубу вставьте трубу во впускной клапан холодильника, сильно нажав его вниз.
2. Закрепите гайку, как показано на рисунке, надавив рукой на впускной клапан холодильника.

(a – водопроводная труба, b – гайка, c – клапан)

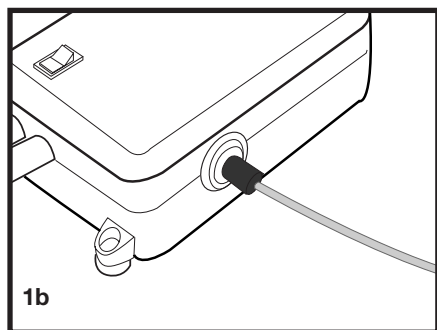
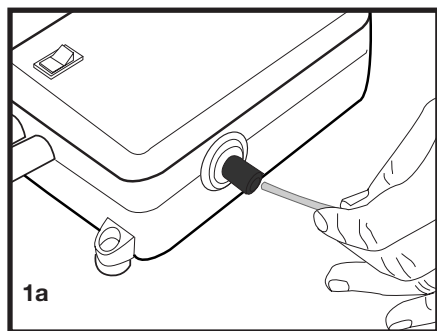
ⓘ Примечание 1. Чтобы узел был водонепроницаемым, не нужно закручивать гайку каким-либо инструментом. В случае утечки закрутите гайку гаечным ключом или плоскогубцами.



Подсоединение шланга подачи воды к баку (в некоторых моделях)

Для подачи в холодильник воды из бака необходим насос. Выполните изложенные ниже инструкции после подсоединения одного конца водопроводной трубы, выходящей из насоса, к холодильнику, как описано на предыдущей странице.

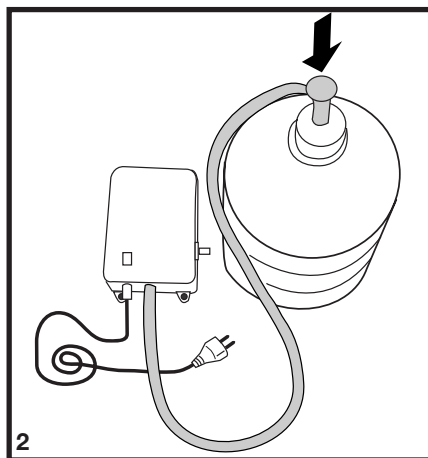
1. Завершите соединение, вставив другой конец водопроводной трубы в соответствующее входное отверстие насоса, как показано на рисунке.



2. Вставьте и закрепите шланг насоса в бак, как показано на рисунке.
3. По завершении монтажа подсоедините насос к сети питания и включите его.

Эффективная работа насоса начнется через 2-3 минуты после его включения.

- i** Выполняя подключение воды, обращайтесь к руководству пользователя насоса.
- i** В случае использования бака нет необходимости в работе водяного фильтра.
- i** В случае использования бака необходим насос.



Подключение водопроводной трубы к водопроводной линии (в некоторых моделях)

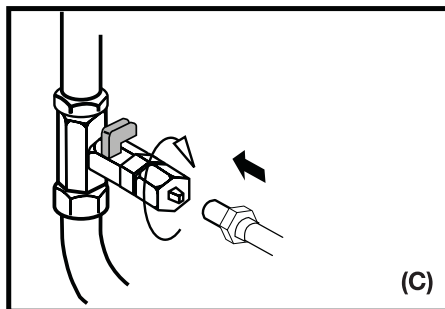
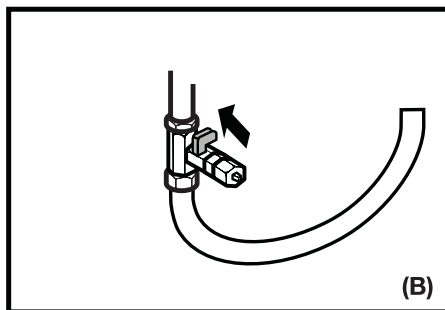
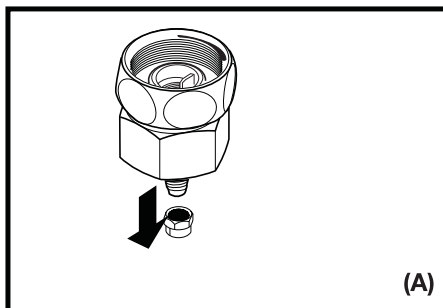
Подсоединение холодильника к линии подачи холодной воды в вашем доме осуществляется через стандартный патрубок с клапаном 1/2". Если такой клапан отсутствует или вы не уверены в своих действиях, обратитесь к квалифицированному водопроводчику.

1. Отсоедините гайку от переходной втулки. (Рис. А)
2. Установите переходную втулку в патрубок с клапаном 1/2", как показано на рисунке. (Рис. В)
3. После надевания гайки на водопроводную трубу установите ее на переходную втулку и вставьте втулку, как показано на рисунке. (Рис. С)
4. Закрутите гайку вручную. В случае утечки закрутите гайку гаечным ключом или плоскогубцами.

⚠ Внимание! С помощью скоб закрепите водопроводную трубу в соответствующих местах для того, чтобы избежать повреждений, смещения или случайного отсоединения.

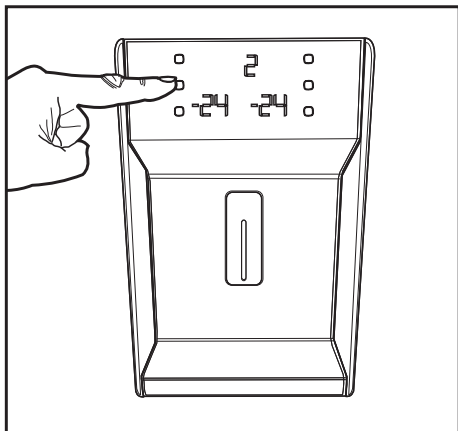
⚠ Внимание! После поворота водяного клапана проверьте, чтобы в обеих точках соединения водяной трубы не было утечки. При наличии утечки немедленно отключите клапан и снова затяните все соединения, воспользовавшись гаечным ключом или плоскогубцами.

⚠ Внимание! Убедитесь в наличии стандартного патрубка с клапаном 1/2" в линии подачи холодной воды и в том, что он полностью отключен.

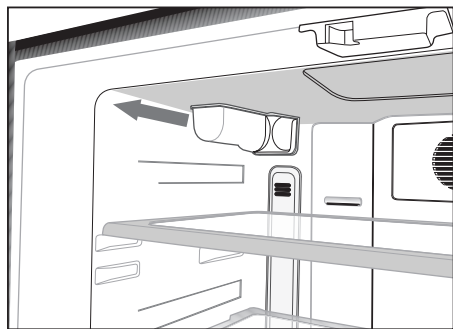


Для установки водяного фильтра соблюдайте приведенные ниже инструкции и следуйте приведенным рисункам.

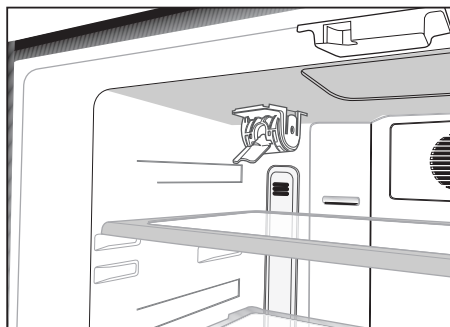
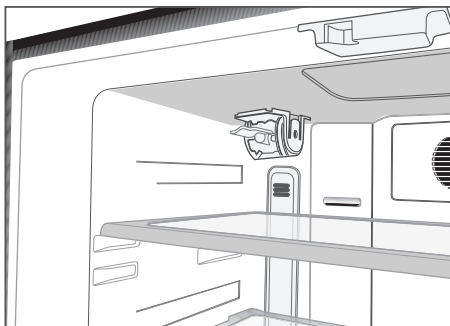
1. Нажмите кнопку остановки образования льда на дисплее.



2. Снимите крышку воздушного фильтра в холодильном отделении, потянув ее на себя.



3. Снимите крышку обводной линии водяного фильтра, вращая ее вниз.



- ⚠ Внимание!** Перед снятием крышки убедитесь в отключении режима образования льда.

Примечание. Падение нескольких капель воды после снятия крышки является нормальным явлением.

4. Снимите крышку на водяном фильтре, чтобы установить ее, как показано на рисунке, и поверните вверх для фиксации.
5. Снова нажмите на кнопку остановки образования льда на дисплее для выхода из данного режима.

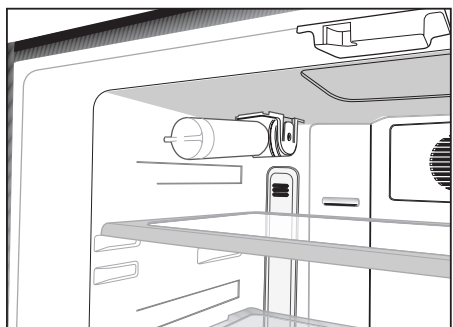
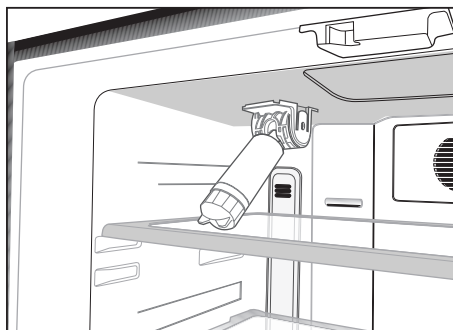
Водяной фильтр требуется менять каждые шесть месяцев.

Для настройки автоматического определения времени смены фильтра и получения соответствующего предупреждения см. раздел «Автоматическое определение времени использования фильтра».

Если водяной фильтр подлежит замене или больше не используется, его следует снять, как показано на рисунке, и прикрепить крышку обводной линии. Перед снятием крышки убедитесь в отключении режима образования льда.

⚠ Внимание! Водяной фильтр предназначен для удаления из воды инородных частиц. Он не очищает воду от микроорганизмов.

⚠ Внимание! При замене водяного фильтра или установке крышки обводной линии всегда необходимо нажать на кнопку «Ice Off».



Прежде чем использовать распределитель воды

ⓘ Давление в водопроводной линии не должно быть ниже 1 бара.

ⓘ Давление в водопроводной линии не должно быть выше 8 бар.

ⓘ Если давление воды в магистральной линии упало ниже 1 бара, и в случае подачи воды из бака необходимо использовать насосы.

ⓘ Водяная система холодильника должна быть подключена к линии холодной воды. Ее нельзя подключать к линии горячей воды.

ⓘ При первоначальном включении холодильника воду получить нельзя. Это вызвано наличием воздуха в системе. Для выпуска воздуха из системы нажимайте на защелку распределителя с интервалом 1 минуту до тех пор, пока из него не покажется вода. В начале поток воды может быть неравномерным. Он нормализуется после выпуска воздуха из системы.

ⓘ При первоначальном включении холодильника до получения холодной воды должно пройти ориентировочно 12 часов.

ⓘ Для бесперебойной работы распределителя льда/воды давление в водопроводной линии должно быть в пределах 1-8 бар. Для этого проверьте, можно ли наполнить стакан воды (100 куб. см) за 10 секунд.

ⓘ Первые 10 стаканов воды потреблять нельзя.

ⓘ Около 30 первых кубиков льда, полученных из распределителя, использовать нельзя.

ⓘ Если бак не используется, применяйте водяной фильтр.

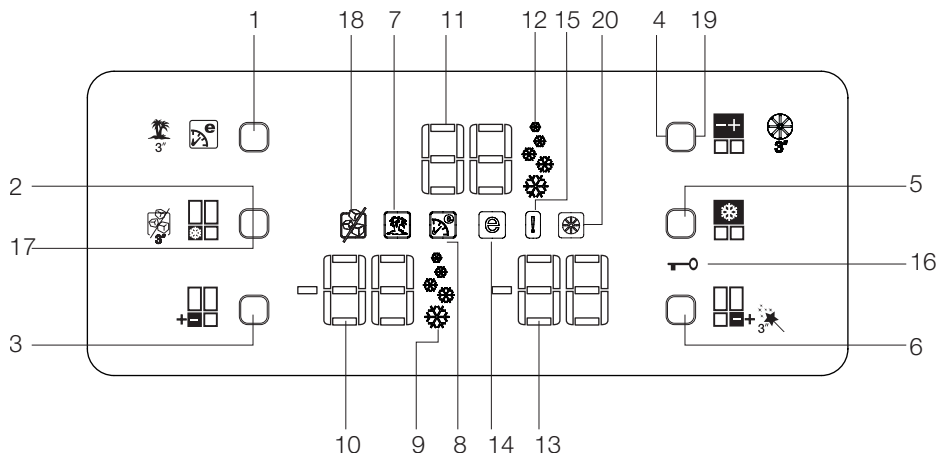
4 Подготовка

- i** Ваш холодильник следует установить, по крайней мере, в 30 см от источников тепла, таких как газовые конфорки, плиты, батареи центрального отопления и печи, и, по крайней мере, в 5 см от электрических плит, в месте, куда не попадает прямой солнечный свет.
- i** Температура воздуха в помещении, где устанавливается холодильник, должна быть не менее 10°C. Использовать холодильник при более низкой температуре не рекомендуется в связи с его низкой эффективностью в таких условиях.
- i** Содержите внутреннее пространство холодильника в чистоте.
- i** Если два холодильника устанавливаются рядом, то между ними должно быть расстояние не менее 2 см.
- i** При первом включении холодильника просим соблюдать следующие инструкции во время первых шести часов работы.
 - Не открывайте часто дверцу.
 - Холодильник должен быть пустым, без продуктов внутри.
 - Не отключайте холодильник от сети. Если произошло отключение электроэнергии не по вашей вине, см. указания в разделе «Рекомендации по устранению неполадок».
- i** Оригинальную упаковку и пленку следует сохранить для последующей транспортировки или перевозки изделия.

5 Пользование холодильником

Панель индикаторов

Сенсорная панель индикаторов позволяет регулировать температуру, не открывая дверцы холодильника. Для этого нажимайте соответствующие кнопки.



1. Кнопка «Eco Extra»/временного отключения
2. Кнопка быстрой заморозки
3. Кнопка настройки температуры морозильного отделения
4. Кнопка настройки температуры холодильного отделения
5. Кнопка быстрого охлаждения
6. Кнопка регулировки температуры отделения Flexi Zone
7. Индикатор режима временного отключения
8. Индикатор режима Eco Extra
9. Индикатор режима быстрой заморозки
10. Индикатор температуры морозильного отделения
11. Индикатор температуры холодильного отделения
12. Индикатор режима быстрого охлаждения
13. Индикатор температуры отделения Flexi Zone
14. Индикатор экономичного режима
15. Индикатор неисправного состояния
16. Индикатор блокировки клавиш
17. Кнопка остановки образования льда
18. Индикатор режима отключения льда
19. Кнопка отключения предупреждения о замене фильтра
20. Индикатор предупреждения о замене фильтра

1. Кнопка «Eco Extra»/временного отключения

После короткого нажатия этой кнопки включается режим Eco Extra. После нажатия и удерживания кнопки в течение 3 секунд включается режим временного отключения. Чтобы отключить выбранный режим, еще раз нажмите на кнопку.

2. Кнопка быстрой заморозки

После короткого нажатия этой кнопки включается режим быстрой заморозки. Чтобы отключить выбранный режим, еще раз нажмите на кнопку.

3. Кнопка настройки температуры морозильного отделения

Нажимайте эту кнопку, чтобы установить в морозильной камере температуру -18, -20, -22, -24, -18... соответственно. Нажимайте эту кнопку, чтобы установить нужную температуру морозильной камеры.

4. Кнопка настройки температуры холодильного отделения

Нажимайте эту кнопку, чтобы установить в холодильной камере температуру 8, 6, 4, 2, 8... соответственно. Нажимайте эту кнопку, чтобы установить нужную температуру холодильной камеры.

5. Кнопка быстрого охлаждения

После короткого нажатия этой кнопки включается режим быстрого охлаждения. Чтобы отключить выбранный режим, еще раз нажмите на кнопку.

6. Кнопка регулировки температуры отделения Flexi Zone

Вы можете установить в отделении Flexi Zone режим морозильника или холодильника. Для этого нажмите и удерживайте указанную кнопку в течение 3 секунд. Заводская настройка данного отделения – морозильник.

Если в отделении Flexi Zone установлен режим морозильника, при каждом нажатии кнопки температура будет изменяться в такой последовательности: -18, -20, -22, -24, -18... соответственно. Если в отделении Flexi Zone установлен режим холодильника, при каждом нажатии кнопки температура будет изменяться в такой последовательности: 10, 8, 6, 4, 2, 0, -6... соответственно.

7. Индикатор режима временного отключения

Показывает, что включен режим временного отключения. В таком случае на индикаторе холодильной камеры появляется символ «- -» и охлаждение в ней не производится. В других отделениях охлаждение происходит в соответствии с установленной температурой.

Чтобы отключить выбранный режим, еще раз нажмите соответствующую кнопку.

8. Индикатор режима Eco Extra

Показывает, что включен режим Eco Extra. В таком случае холодильник автоматически определит минимальные периоды использования, в течение которых охлаждение будет происходить в энергосберегающем режиме. Все это время индикатор экономичного режима будет включен.

Чтобы отключить выбранный режим, еще раз нажмите соответствующую кнопку.

9. Индикатор режима быстрой заморозки

Показывает, что включена функция быстрого замораживания. Пользуйтесь этим режимом, если помещаете в морозильную камеру свежие продукты, или если вам нужен лед. В этом случае холодильник будет работать определенный период времени.

Чтобы отключить выбранный режим, еще раз нажмите соответствующую кнопку.

10. Индикатор температуры морозильного отделения

Указывает температуру, установленную для морозильного отделения.

11. Индикатор температуры холодильного отделения

Указывает температуру, установленную для холодильного отделения.

12. Индикатор режима быстрого охлаждения

Показывает, что включен режим быстрого охлаждения. Пользуйтесь этим режимом, если помещаете в холодильную камеру свежие продукты, или если необходимо быстро охладить продукты. В этом случае холодильник будет работать без остановки в течение 2 часов.

Чтобы отключить выбранный режим, еще раз нажмите соответствующую кнопку.

13. Индикатор температуры отделения Flexi Zone

Указывает температуру, установленную для отделения Flexi Zone.

14. Индикатор экономичного режима

Показывает, что холодильник работает в энергосберегающем режиме. Температура морозильной камеры

Индикатор будет включен, если установлена температура -18 или в режиме Eco Extra происходит энергосберегающее охлаждение.

15. Индикатор неисправного состояния

Этот индикатор включается при сбое в работе холодильника или поломке сенсора. В этом случае на индикаторе температуры морозильной камеры появится символ «E», а на индикаторе холодильной камеры – числа «1,2,3...». Они сообщают об определенной ошибке персоналу сервисной службы.

16. Индикатор блокировки клавиш

С помощью этого режима можно предотвратить изменение температурных настроек холодильника. Для его включения одновременно нажмите кнопки быстрого охлаждения и регулировки температуры отделения Flexi Zone и удерживайте их в течение 3 секунд.

Чтобы отключить выбранный режим, еще раз нажмите соответствующие кнопки.

17. Кнопка остановки образования льда

Чтобы остановить образование льда, нажмите и удерживайте кнопку остановки образования льда в течение 3 секунд. При этом в отсек для льда не будет поступать вода. Однако в нем может остаться лед, который можно извлечь. Чтобы возобновить образование льда, нажмите и удерживайте кнопку остановки образования льда в течение 3 секунд.

18. Индикатор остановки образования льда

Воспользуйтесь этой функцией, если не нуждаетесь в образовании льда. Для ее активирования нажмите и удерживайте кнопку прекращения образования льда в течение 3 секунд.

19. Кнопка отключения предупреждения о замене фильтра

Фильтр холодильника следует заменять каждые 6 месяцев. Холодильник определяет это время автоматически, и по истечении времени использования фильтра загорается индикатор предупреждения о замене фильтра. Нажмите и удерживайте кнопку отключения предупреждения о замене фильтра в течение 3 секунд, чтобы холодильник автоматически определил новое время использования фильтра после его замены.

20. Индикатор отключения предупреждения о замене фильтра

По истечении времени использования фильтра загорается индикатор предупреждения о замене фильтра.

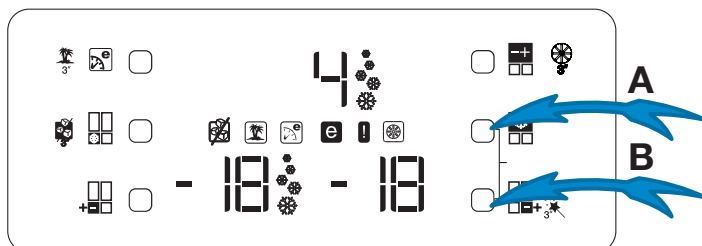
Сигнал открытия дверцы

Если дверца холодильной камеры или отделения Flexi Zone остается открытой в течение, как минимум, 1 минуты, прозвучит сигнал открытия дверцы. Нажмите любую кнопку на панели индикаторов или закройте дверцу – сигнал прекратится.

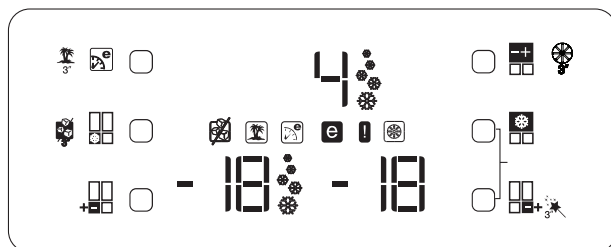
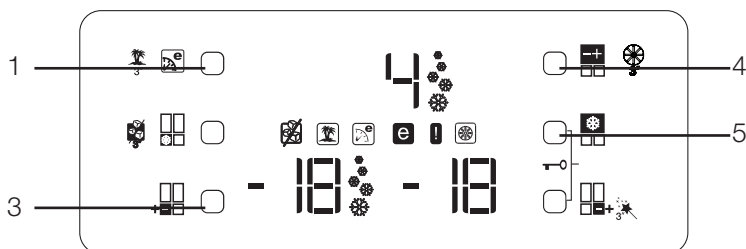
Рекомендации по автоматическому определению времени использования фильтра

(для изделий, подсоединенных к водопроводной линии и оснащенных фильтром)

1- Подсоединив холодильник к электросети, одновременно нажмите кнопки А и В для включения блокировки клавиш.



2- Затем нажмите кнопки Eco-Extra (1), настройки температуры холодильного отделения (4), быстрого охлаждения (5) и настройки температуры морозильного отделения (3) соответственно.



Если нажать кнопки в правильной последовательности, символ блокировки кнопок погаснет, индикатор предупреждения о замене фильтра включится и вскоре будет активирован зуммер. После замены фильтра нажмите кнопку отключения предупреждения о замене фильтра (номер 19 в описании дисплея) для автоматического определения времени использования фильтра.

ⓘ Если время использования фильтра определяется автоматически, индикатор предупреждения о замене фильтра загорится через несколько секунд после подключения изделия к сети питания.

ⓘ Автоматическое определение времени использования фильтра не является заводской настройкой. В изделиях с фильтром его нужно активировать.

ⓘ Чтобы отключить автоматическое определение времени использования фильтра, повторите все вышеуказанные действия.

Лоток для яиц

Вы можете установить держатель для яиц на полочку двери или обычную полку, как вам удобнее.

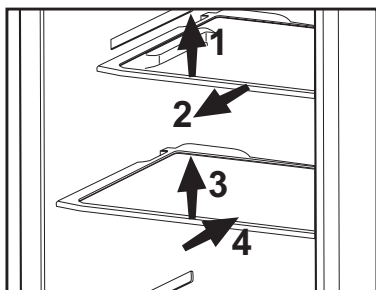
Никогда не помещайте держатель для яиц в камеру морозильника.

Выдвижные полки

Чтобы выдвинуть выдвижную полку, слегка приподнимите ее спереди, после чего ее можно сдвинуть назад и вперед. Полку можно выдвинуть вперед до упора, чтобы достать продукты в конце полки. Чтобы вынуть полку, сдвиньте ее до второго упора, слегка приподнимите и потяните на себя.

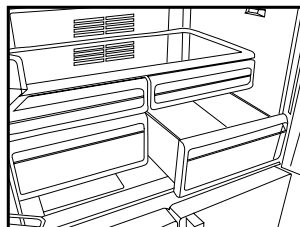
Крепко придерживайте полку снизу, чтобы она не перевернулась. Полки холодильного отделения устанавливаются на направляющие, расположенные на боковых стенках, и их можно переставлять выше или ниже.

Чтобы установить полку на место, сдвиньте ее назад до конца.



Контейнер для фруктов и овощей

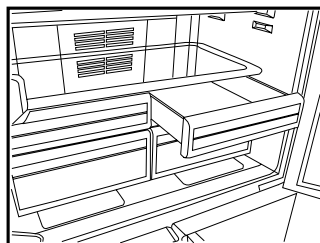
Контейнер для фруктов и овощей предназначен специально для их сохранения в свежем виде, чтобы они не теряли влагу. Для этого вокруг контейнера циркулирует холодный воздух. Перед тем как вынуть контейнер для фруктов и овощей, выньте совмещенные с ним дверные полки, как показано на рисунке.



Отделение охладителя

Отделение охладителя подготавливает продукты к заморозке. Кроме того, эти отделения можно использовать для хранения продуктов при температуре, на несколько градусов ниже температуры холодильной камеры.

Вы можете освободить место внутри холодильника, вынув любой из охладителей. Для этого потяните лоток на себя, пока он не упрется в ограничитель. Затем приподнимите лоток приблизительно на 1 см и снова потяните на себя.



Съемное среднее отделение

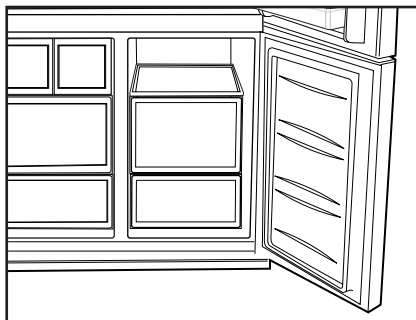
Съемное среднее отделение предназначено для предотвращения просачивания холодного воздуха изнутри холодильника наружу.

1- Когда дверцы холодильной камеры закрыты, прокладки плотно прилегают к поверхности съемного среднего отделения.

2- Еще одно предназначение съемного среднего отделения – увеличение полезного объема холодильной камеры. Стандартные средние отделения занимают неиспользуемое пространство холодильника.

3- Съемное среднее отделение закрыто, когда закрыта левая дверца холодильной камеры.

4- Съемное отделение нельзя открывать вручную, поскольку при закрытых дверцах оно движется под управлением пластмассовой детали корпуса.



элемент, находящийся в закрытом отделении (отделение компрессора) за холодильником. Когда этот элемент работает, из холодильника доносится шум, похожий на тиканье механических часов. Это вполне нормально и не является причиной неисправности.

Отделение для хранения продуктов Flexi Zone

Отделение для хранения продуктов Flexi Zone вашего холодильника можно использовать в любом нужном режиме, установив температуру холодильной (2/4/6/8 °C) или морозильной (-18/-20/-22/-24) камер. С помощью кнопки регулировки температуры отделения Flexi Zone можно устанавливать в отделении нужную температуру. Температуру отделения Flexi Zone можно установить на значения от 0 до 10 градусов в дополнение к температуре холодильной камеры и -6 градусов в дополнение к температуре морозильной камеры. При значении 0 дольше хранятся деликатесы, а при -6 можно в течение двух недель хранить мясные продукты в легком для нарезания состоянии.

i Переключение между режимами холодильного и морозильного отделений позволяет охлаждающий

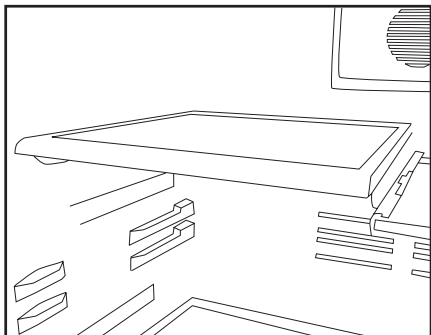
Синий свет

В продуктах, хранящихся в контейнерах для фруктов и овощей с синей подсветкой, продолжается процесс фотосинтеза, благодаря длине волн синего света и, таким образом, они сохраняют свою свежесть, а содержание витаминов в них увеличивается.



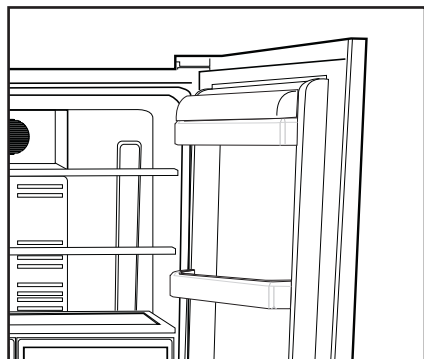
Скользящие полки с задними креплениями

Скользящие полки с задними креплениями легко передвигаются вперед и назад. Их высоту можно регулировать, устанавливая полки ниже или выше. Чтобы достать полку, слегка приподнимите ее и потяните на себя.



Полка для масла и сыра

На этой полке с крышкой можно хранить масло, сыр и маргарин.

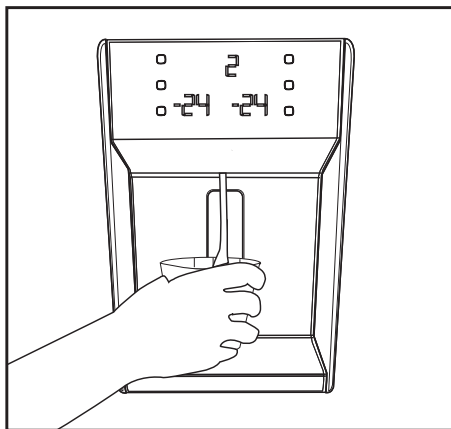


Пользование краном подачи воды

Предостережения

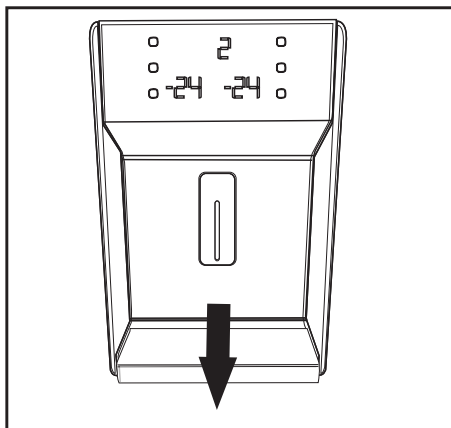
Первые несколько стаканов воды, вышедшей из распределителя, могут быть теплыми. Это вполне нормально.

Если распределитель воды используется нечасто, то для получения свежей воды необходимо слить некоторое количество воды из распределителя.



Лоток для разлитых продуктов

Капли воды, падающие во время работы, накапливаются в лотке для разлитых продуктов. Вы можете достать лоток, потянув его на себя или нажав на край (в зависимости от модели). Воду можно удалить с помощью губки или мягкой ткани.



Мини-бар

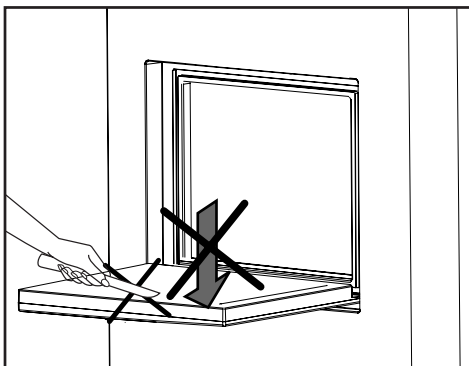
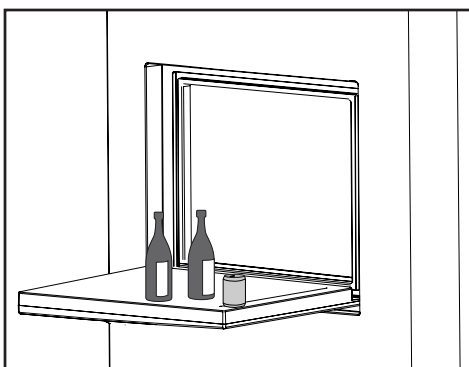
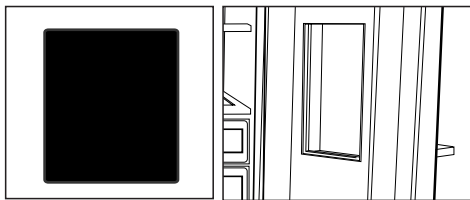
Функция «Мини-бар» обеспечивает дополнительное удобство использования холодильника. Чтобы получить доступ к дверной полке, нет необходимости открывать дверцу холодильника; благодаря этой функции вы можете доставать из холодильника еду и напитки частого употребления. Таким образом вы будете реже открывать дверцу холодильника и снизите его энергопотребление.

Чтобы открыть дверцу мини-бара, надавите на нее рукой и потяните на себя.

Если дверца мини-бара открыта, используйте ее внутреннюю поверхность в качестве столика, на который можно ненадолго ставить бутылки и стаканы, как показано на рисунке.

⚠ Внимание! Запрещено оказывать на столик мини-бара давление (сидеть, висеть или использовать в качестве ступени) и ставить на него тяжелые предметы. Это может привести к повреждению холодильника или травмам.

⚠ Внимание! На дверце мини-бара запрещено резать продукты; избегайте повреждения дверцы острыми предметами.



6 Чистка и уход

- ⚠ Ни в коем случае не используйте бензин, бензол или подобные вещества для чистки.
- ⚠ Перед чисткой рекомендуем отсоединить изделие от электросети.
- ⓘ Не используйте для чистки острые абразивные инструменты, мыло, бытовые чистящие средства, моющие средства и восковую политуру.
- ⓘ Корпус изделия промойте теплой водой и затем вытрите насухо.
- ⓘ Протрите внутреннюю поверхность изделия хорошо отжатой тканью, смоченной в растворе пищевой соды (1 чайная ложка на пол-литра воды), и вытрите насухо.
- ⚠ Не допускайте попадания воды в корпус лампочки и в другие электрические компоненты.
- ⚠ Если холодильник не будет использоваться в течение длительного времени, отключите сетевой шнур, извлеките все продукты, выполните чистку и оставьте дверцу приоткрытой.
- ⓘ Регулярно проверяйте, не испачкан ли уплотнитель дверцы частицами пищи.
- ⓘ Для снятия полок в дверце полностью разгрузите их, а затем просто приподнимите вверх.

Защита пластмассовых поверхностей

- ⓘ Не храните жидкое масло или продукты, приготовленные с добавлением масла, в морозильной камере в открытых контейнерах, так как они могут повредить пластмассовые поверхности. Если же масло протекло или попало на пластмассовую поверхность, сразу же очистите и промойте это место теплой водой.

7 Рекомендации по устранению неисправностей

Прежде чем обращаться в сервисный центр, просмотрите этот перечень. Это может помочь вам сэкономить время и деньги. Ниже перечислены часто возникающие проблемы, причиной которых не являются дефекты производства или материалов. Некоторые из функций, описанных здесь, могут отсутствовать в вашем изделии.

Холодильник не работает.
<ul style="list-style-type: none">• Правильно ли включен холодильник в сеть? Вставьте вилку в розетку электросети.• Не перегорел ли предохранитель розетки, в которую включена морозильная камера, и главный предохранитель? Проверьте предохранитель.
Конденсация на боковой стенке холодильного отделения (MULTI ZONE, COOL CONTROL и FLEXI ZONE).
<ul style="list-style-type: none">• Очень низкая температура окружающей среды. Частое открывание и закрывание дверцы. Изделие работает в условиях повышенной влажности. Хранение продуктов, содержащих жидкость, в открытых контейнерах. Неплотно закрыта дверца. Переключите термостат на более низкую температуру.• Уменьшите время открывания дверцы или открывайте ее реже.• Накройте продукты, хранящиеся в открытых контейнерах, соответствующим материалом.• Вытрите конденсат сухой тканью и проверьте, не образуется ли он снова.
Не работает компрессор
<ul style="list-style-type: none">• Термозащита компрессора может сработать при неожиданных отключениях энергоснабжения либо при выключениях-включениях прибора, поскольку давление хладагента в системе охлаждения не успевает стабилизироваться. Холодильник начнет работать ориентировочно через 6 минут. Если по истечении этого времени холодильник не заработал, обратитесь в сервисный центр.• Холодильник находится в режиме размораживания. Это нормально для полностью автоматически размораживающегося холодильника. Цикл размораживания выполняется периодически.• Холодильник не включен в розетку электросети. Убедитесь, что вилка должным образом включается в розетку.• Правильно ли отрегулирована температура?• Возможно, отключена подача электроэнергии.

Холодильник включается слишком часто или работает слишком долго.
<ul style="list-style-type: none"> • Ваш новый холодильник может быть больше, чем предыдущий. Это вполне нормально. Большие холодильники работают в течение более длительного времени. • Возможно, температура в помещении повышена. Это вполне нормально. • Возможно, холодильник был недавно включен или загружен продуктами. Полное охлаждение холодильника может продолжаться на пару часов дольше. • Возможно, в холодильник недавно поместили большое количество горячих продуктов. Горячие продукты в холодильнике заставляют его работать дольше, пока не будет достигнута нужная температура хранения. • Возможно, дверцы часто открываются либо были приоткрыты в течение длительного времени. Теплый воздух, попадающий в холодильник, заставляет его работать дольше. Открывайте дверцы реже. • Неплотно закрыта дверца морозильного или холодильного отделения. Проверьте, плотно ли закрыты дверцы. • Холодильник отрегулирован на очень низкую температуру. Отрегулируйте температуру холодильника до более высокого значения и подождите, пока установленная температура не будет достигнута. • Уплотнитель двери холодильного или морозильного отделения, возможно, загрязнен, изношен, разорван или неправильно установлен. Почистите или замените уплотнитель. Поврежденный/разорванный уплотнитель заставляет холодильник работать дольше для того, чтобы поддерживать текущую температуру.
Температура в морозильном отделении слишком низкая, в то время как температура в холодильном отделении достаточная.
<ul style="list-style-type: none"> • Температура морозильного отделения установлена на очень низкое значение. Отрегулируйте температуру морозильного отделения на более высокое значение и проверьте работу.
Температура холодильного отделения очень низкая, в то время как температура в морозильном отделении достаточная.
<ul style="list-style-type: none"> • Возможно, температура холодильного отделения отрегулирована на очень низкое значение. Отрегулируйте температуру холодильного отделения до более высокого значения и проверьте работу.
Замерзают продукты в выдвижных контейнерах холодильного отделения.
<ul style="list-style-type: none"> • Возможно, температура холодильного отделения отрегулирована на очень низкое значение. Отрегулируйте температуру холодильного отделения до более высокого значения и проверьте работу.
Температура в холодильном и морозильном отделении слишком высокая.
<ul style="list-style-type: none"> • Возможно, температура холодильного отделения отрегулирована на очень высокое значение. Настройка холодильного отделения влияет на температуру морозильного отделения. Измените температуру холодильного или морозильного отделения, пока не будет достигнут нужный уровень температуры. • Возможно, дверцы часто открываются либо были приоткрыты в течение длительного времени; открывайте их реже. • Возможно, дверца холодильника приоткрыта; закройте ее полностью. • Возможно, в холодильник недавно поместили большое количество горячих продуктов. Подождите, пока холодильное или морозильное отделение достигнет нужной температуры. • Возможно, морозильник был недавно включен в сеть. На полное охлаждение холодильника потребуется время.

Уровень рабочего шума повышается во время работы холодильника.
<ul style="list-style-type: none"> Рабочие характеристики изделия могут изменяться в зависимости от изменений температуры окружающей среды. Это нормально и не является неисправностью.
Вибрация или шум.
<ul style="list-style-type: none"> Пол неровный или нетвердый. При медленном перемещении морозильник дрожит. Убедитесь в том, что пол ровный и достаточно прочный, чтобы выдержать вес холодильника. Шум могут вызывать предметы, поставленные на холодильник. Посторонние предметы следует убрать с холодильника.
Из холодильника доносится шум льющейся или распыляющейся жидкости.
<ul style="list-style-type: none"> Расход жидкости и газа изменяется в соответствии с принципами работы изделия. Это нормально и не является неисправностью.
Слышен шум, похожий на шум ветра.
<ul style="list-style-type: none"> Для охлаждения холодильника используются вентиляторы. Это нормально и не является неисправностью.
Конденсация влаги на внутренних стенках холодильника.
<ul style="list-style-type: none"> Жаркая и влажная погода способствует образованию льда и конденсации влаги. Это нормально и не является неисправностью. Возможно, дверцы холодильника приоткрыты; убедитесь, что они полностью закрыты. Возможно, дверцы часто открываются либо были приоткрыты в течение длительного времени; открывайте их реже.
Появление влаги снаружи холодильника или между дверцами.
<ul style="list-style-type: none"> Воздух может быть влажным; это вполне нормально при влажной погоде. Когда влажность уменьшится, конденсация исчезнет.
Неприятный запах внутри холодильника.
<ul style="list-style-type: none"> Следует выполнить чистку внутри холодильника. Протрите внутреннюю часть с помощью губки, теплой или газированной воды. Некоторые контейнеры или упаковочные материалы также могут быть источником запаха. Используйте другой контейнер или упаковочный материал другой марки.
Дверца не закрыта, как следует.
<ul style="list-style-type: none"> Упаковки продуктов могут препятствовать закрыванию дверцы. Переместите упакованные продукты, препятствующие закрытию дверцы. Холодильник стоит не совсем вертикально, это может вызвать дрожание даже при незначительном перемещении. Отрегулируйте регулировочные винты. Пол неровный или нетвердый. Убедитесь в том, что пол ровный и может выдержать вес холодильника.
Контейнеры для фруктов и овощей прилипли.
<ul style="list-style-type: none"> Возможно, продукты касаются верхней части контейнера. Переместите продукты в контейнере.

Παρακαλούμε διαβάστε πρώ τα το παρόν εγχειρίδιο!

Αγαπητέ Πελάτη,

Ελπίζουμε ότι το προϊόν σας, που έχει κατασκευαστεί σε μοντέρνες εγκαταστάσεις και έχει ελεγχθεί με τις πιο αυστηρές διαδικασίες ελέγχου ποιότητας, θα σας προσφέρει μια αποδοτική υπηρεσία.




Για το λόγο αυτό, συνιστούμε να διαβάσετε προσεκτικά όλο το εγχειρίδιο οδηγιών του προϊόντος σας πριν το χρησιμοποιήσετε και κατόπιν να το φυλάξετε σε εύκολα προσπελάσιμο σημείο για μελλοντική αναφορά.

Το παρόν εγχειρίδιο

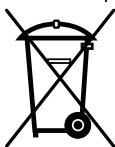
- Θα σας βοηθήσει να χρησιμοποιήσετε τη συσκευή σας με γρήγορο και ασφαλή τρόπο.
 - Διαβάστε το εγχειρίδιο πριν την εγκατάσταση και τη χρήση του προϊόντος σας.
 - Ακολουθείτε τις οδηγίες και ιδιαίτερα αυτές που αφορούν την ασφάλεια.
 - Φυλάξτε το εγχειρίδιο σε εύκολα προσπελάσιμο μέρος γιατί μπορεί να το χρειαστείτε αργότερα.
 - Επιπλέον, διαβάστε και την υπόλοιπη τεκμηρίωση που συνοδεύει το προϊόν σας.
- Έχετε υπόψη σας ότι το παρόν εγχειρίδιο μπορεί να ισχύει και για άλλα μοντέλα.

Σύμβολα και οι περιγραφές τους

Το παρόν εγχειρίδιο οδηγιών περιέχει τα εξής σύμβολα:

-  Σημαντικές πληροφορίες ή πρακτικές συμβουλές για τη χρήση.
-  Προειδοποίηση για συνθήκες επικίνδυνες για τη ζωή και την περιουσία.
-  Προειδοποίηση για ηλεκτρική τάση.

Ανακύκλωση

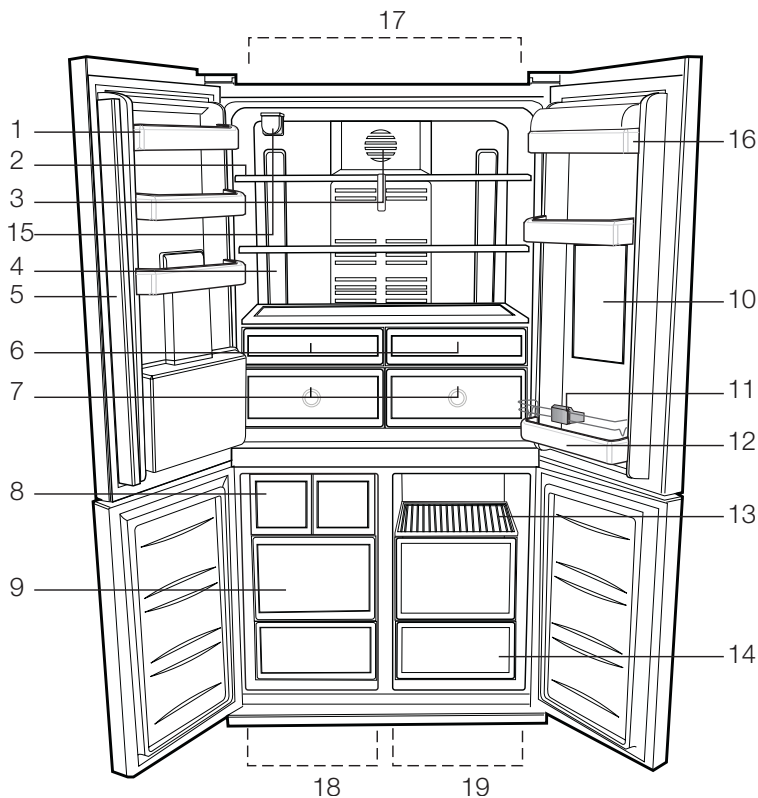


Αυτό το προϊόν φέρει το σύμβολο της επιλεκτικής διαλογής για Απόβλητα ειδών Ηλεκτρικού και Ηλεκτρονικού Εξοπλισμού (ΑΗΗΕ). Αυτό σημαίνει ότι αυτό το προϊόν θα πρέπει να τυγχάνει χειρισμού σύμφωνα με την Ευρωπαϊκή Οδηγία 2002/96/ΕΚ για να ανακυκλώνεται ή να αποσυναρμολογείται ώστε να ελαχιστοποιείται η επίπτωσή του στο περιβάλλον. Για περισσότερες πληροφορίες, παρακαλούμε απευθυνθείτε στις τοπικές ή τις περιφερειακές σας αρχές.

Τα ηλεκτρονικά προϊόντα που δεν περιλαμβάνονται στη διαδικασία της επιλεκτικής διαλογής είναι δυνητικά επικίνδυνα για το περιβάλλον και την ανθρώπινη υγεία λόγω της παρουσίας επικίνδυνων ουσιών.

1 Το ψυγείο	3	4 Προετοιμασία	17
2 Σημαντικές προειδοποιήσεις ασφαλείας	4	5 Χρήση του ψυγείου σας	18
Προβλεπόμενος σκοπός χρήσης	4	Πίνακας ενδείξεων	18
Για προϊόντα με διανομέα νερού:	6	Ειδοποίηση Ανοικτής πόρτας:	21
Ασφάλεια των παιδιών.....	6	Τι πρέπει να κάνετε για να υπολογίζεται αυτόματα ο χρόνος χρήσης του φίλτρου	22
Προειδοποίηση HCA (Για συσκευές Ψύξης - Θέρμανσης)	6	Συρόμενα ράφια θαλάμου	23
Τι πρέπει να κάνετε για εξοικονόμηση ενέργειας	7	Θήκη αυγών.....	23
3 Εγκατάσταση	8	Συρτάρι λαχανικών	23
Σημεία που πρέπει να προσεχτούν κατά τη μεταφορά του προϊόντος	8	Χώρος Εντονης ψύξης.....	23
Πριν θέσετε σε λειτουργία το ψυγείο σας	8	Χώρος φύλαξης Ευέλικτης ζώνης .	24
Ηλεκτρική σύνδεση.....	9	Κινητό κεντρικό τμήμα	24
Διάθεση των υλικών συσκευασίας	9	Μπλε φως	24
Διάθεση του παλιού σας ψυγείου.....	9	Συρόμενα ράφια θαλάμου με πίσω σύστημα ανάρτησης	25
Τοποθέτηση και εγκατάσταση.....	9	Τμήμα για βούτυρο & τυρί	25
Ρύθμιση ευστάθειας στο δάπεδο	10	Χρήση του διανομέα νερού	25
Ρύθμιση του διακένου από την πάνω πόρτα	10	Δισκος συλλογής σταγόνων.....	25
Εγκατάσταση του φίλτρου νερού ...	12	Μίνι μπαρ	26
Σύνδεση του σωλήνα νερού στο ψυγείο	12	6 Καθαρισμός και φροντίδα	27
Σύνδεση εύκαμπτου σωλήνα νερού στη φιάλη	13	Προστασία των πλαστικών επιφανειών	27
Σύνδεση του σωλήνα νερού στη γραμμή παροχής κρύου νερού δικτύου	14	7 Συνιστώμενες λύσεις για προβλήματα	28
Πριν την πρώτη χρήση του Διανομέα Νερού	16		

1 Το ψυγείο



- | | |
|--|----------------------------------|
| 1- Ράφια πόρτας χώρου συντήρησης | 10- Μίνι μπαρ |
| 2- Γυάλινα ράφια χώρου συντήρησης | 11- Στήριγμα μπουκαλιών |
| 3- Κάλυμμα διάχυσης | 12- Ράφι μπουκαλιών |
| 4- Κρύσταλλο φωτισμού | 13- Ράφια χώρου φύλαξης τροφίμων |
| 5- Κινητό κεντρικό τμήμα | 14- Χώρος φύλαξης τροφίμων |
| 6- Χώρος Εντονης ψύξης | 15- Φίλτρο νερού |
| 7- Συρτάρι λαχανικών | 16- Ράφι βουτύρου & τυριού |
| 8- Icematic – Αυτόματο σύστημα πάγου | 17- Χώρος συντήρησης |
| 9- Χώροι φύλαξης κατεψυγμένων τροφίμων | 18- Χώρος κατάψυξης |
| | 19- Ευέλικτη ζώνη |

i Οι εικόνες σ' αυτό το εγχειρίδιο οδηγιών είναι σχηματικές και ενδέχεται να μην ανταποκρίνονται ακριβώς στο προϊόν σας. Αν ορισμένα εξαρτήματα δεν περιλαμβάνονται στο προϊόν που έχετε προμηθευτεί, τότε ισχύουν για άλλα μοντέλα.

2 Σημαντικές προειδοποιήσεις ασφαλείας

Παρακαλούμε να μελετήσετε τις πληροφορίες που ακολουθούν. Η μη τήρηση αυτών των πληροφοριών μπορεί να γίνει αιτία τραυματισμών ή υλικών ζημιών. Αν δεν το κάνετε αυτό, θα καταστεί άκυρη κάθε εγγύηση και κάθε δέσμευση περί αξιοπιστίας.

Ο χρόνος ωφέλιμης ζωής της μονάδας που προμηθευτήκατε είναι 10 έτη. Αυτή είναι η περίοδος διατήρησης των ανταλλακτικών που απαιτούνται για τη λειτουργία της μονάδας σύμφωνα με τα περιγραφόμενα.

Προβλεπόμενος σκοπός χρήσης

Το προϊόν αυτό προορίζεται να χρησιμοποιείται

- σε εσωτερικούς χώρους και κλειστές περιοχές όπως είναι τα σπίτια
 - σε κλειστούς χώρους εργασίας όπως καταστήματα και γραφεία
 - σε κλειστούς χώρους ενδιαίτησης όπως αγροτόσπιτα, ξενοδοχεία, πανσιόν.
- Το προϊόν αυτό δεν πρέπει να χρησιμοποιείται σε εξωτερικό χώρο.

Γενικές οδηγίες ασφαλείας

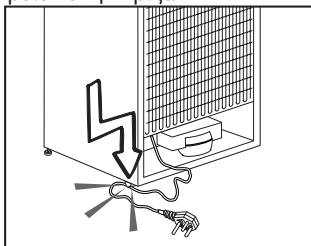
- Όταν θέλετε να πετάξετε ως άχρηστο ή να ανακυκλώσετε το προϊόν, συνιστούμε για τις απαιτούμενες πληροφορίες να συμβουλευτείτε το εξουσιοδοτημένο σέρβις ή τους αρμόδιους φορείς.
- Να συμβουλευέστε το εξουσιοδοτημένο σέρβις για όλες τις ερωτήσεις και προβλήματα σχετικά με το ψυγείο. Μην επεμβαίνετε και μην αφήνετε οποιονδήποτε άλλον να επέμβει στο ψυγείο χωρίς να ειδοποιήσετε το εξουσιοδοτημένο σέρβις.
- Για προϊόντα με χώρο κατάψυξης: Μην καταναλώνετε παγωτό και παγοκύβους αμέσως μόλις τα βγάλετε από το χώρο της κατάψυξης! (Αυτό μπορεί να προκαλέσει κρυσπαγήματα στο στόμα σας).

- Για προϊόντα με χώρο κατάψυξης: Μην τοποθετείτε στην κατάψυξη ποτά ή αναψυκτικά σε μπουκάλια ή μεταλλικά κουτιά. Αλλιώς, υπάρχει κίνδυνος να σκάσουν.
- Μην αγγίζετε τα παγωμένα τρόφιμα με τα χέρια, γιατί μπορεί να κολλήσουν στο χέρι σας.
- Αποσυνδέετε το ψυγείο από την πρίζα πριν τον καθαρισμό ή την απόψυξη.
- Δεν πρέπει να χρησιμοποιείτε ποτέ ατμό και ατμοποιημένα καθαριστικά υλικά στις διαδικασίες καθαρισμού και απόψυξης του ψυγείου σας. Σε τέτοιες περιπτώσεις, ο ατμός μπορεί να έλθει σε επαφή με τα ηλεκτρικά εξαρτήματα και να γίνει η αιτία βραχυκυκλώματος ή ηλεκτροπληξίας.
- Ποτέ μη χρησιμοποιείτε εξαρτήματα του ψυγείου σας, όπως η πόρτα, ως μέσο στήριξης ή ως σκαλοπάτι.
- Μη χρησιμοποιείτε ηλεκτρικές συσκευές στο εσωτερικό του ψυγείου.
- Μην προξενήσετε ζημιά με εργαλεία διάτρησης ή κοπής στα μέρη της συσκευής όπου κυκλοφορεί το ψυκτικό μέσο. Το ψυκτικό μέσο που μπορεί να εκτιναχθεί αν τρυπήσουν οι δίοδοι αερίου του εξατμιστήρα, των επεκτάσεων σωλήνων ή των επιφανειακών επικαλύψεων, προκαλεί ερεθισμό στο δέρμα και τραυματισμό στα μάτια.
- Μην καλύπτετε και μην φράσετε με οποιοδήποτε υλικό τα ανοίγματα αερισμού του ψυγείου σας.
- Οι επισκευές σε ηλεκτρικές συσκευές πρέπει να διεξάγονται μόνο από εξουσιοδοτημένο προσωπικό. Οι επισκευές που γίνονται από αναρμόδια άτομα δημιουργούν κινδύνους για το χρήστη.
- Σε περίπτωση οποιασδήποτε βλάβης ή κατά τη διάρκεια των εργασιών συντήρησης ή επισκευών, να αποσυνδέετε το ψυγείο από την παροχή ηλεκτρικού ρεύματος είτε απενεργοποιώντας τον αντίστοιχο

ασφαλειοδιακόπτη είτε βγάζοντας το φως από την πρίζα.

- Για την αποσύνδεση του φως μην τραβάτε το καλώδιο.
- Τοποθετείτε τα ποτά που έχουν σχετικά μεγάλη περιεκτικότητα σε οινόπνευμα σφικτά κλεισμένα και σε κατακόρυφη θέση.
- Ποτέ μην αποθηκεύετε στο ψυγείο μπουκάλια σπρέι που περιέχουν εύφλεκτες και εκρηκτικές ουσίες.
- Μη χρησιμοποιείτε μηχανικές διατάξεις ή άλλα μέσα για να επιταχύνετε τη διαδικασία της απόψυξης, εκτός από τα μέσα που συνιστά ο κατασκευαστής.
- Το προϊόν αυτό δεν προορίζεται για χρήση από άτομα με σωματικά, αισθητηριακά ή διανοητικά προβλήματα ή από άτομα με έλλειψη εμπειρίας (περιλαμβανομένων παιδιών), εκτός αν τα άτομα βρίσκονται υπό την επίβλεψη ατόμου που θα είναι υπεύθυνο για την ασφάλειά τους ή που θα τα καθοδηγήσει όπως απαιτείται για τη χρήση του προϊόντος.
- Μη χρησιμοποιήσετε το ψυγείο αν έχει υποστεί βλάβη ή ζημιά. Αν έχετε οποιαδήποτε αμφιβολία συμβουλευτείτε τον αντιπρόσωπο σέρβις.
- Η ηλεκτρική ασφάλεια του ψυγείου σας θα είναι εγγυημένη μόνον αν το σύστημα γείωσης του σπιτιού σας συμμορφώνεται με τα ισχύοντα πρότυπα.
- Η έκθεση του προϊόντος σε βροχή, χιόνι, ήλιο και άνεμο δημιουργεί κινδύνους σε σχέση με την ασφάλεια με το ηλεκτρικό ρεύμα.
- Αν υπάρχει ζημιά στο καλώδιο ρεύματος, για την αποφυγή κινδύνου επικοινωνήστε με το εξουσιοδοτημένο σέρβις.
- Σε καμία περίπτωση μη συνδέσετε το ψυγείο στην πρίζα κατά τη διάρκεια της εγκατάστασης. Αλλιώς, μπορεί να δημιουργηθεί κίνδυνος θανάτου ή σοβαρού τραυματισμού.
- Το ψυγείο αυτό προορίζεται αποκλειστικά για τη φύλαξη τροφίμων. Δεν πρέπει να χρησιμοποιηθεί για οποιονδήποτε άλλο σκοπό.

- Η ετικέτα τεχνικών προδιαγραφών βρίσκεται πάνω στο αριστερό τοίχωμα στο εσωτερικό του ψυγείου.
- Ποτέ μη συνδέσετε το ψυγείο σας σε συστήματα εξοικονόμησης ενέργειας, γιατί αυτά μπορεί να προκαλέσουν ζημιά στο ψυγείο.
- Αν το ψυγείο σας διαθέτει μπλε φως, μην κοιτάζετε το μπλε φως μέσω οπτικών διατάξεων.
- Για ψυγεία με μη αυτόματο σύστημα ελέγχου, μετά από διακοπή ρεύματος περιμένετε τουλάχιστον 5 λεπτά πριν θέσετε πάλι το ψυγείο σε λειτουργία.
- Σε περίπτωση μεταβίβασης, το παρόν εγχειρίδιο χρήσης θα πρέπει να παραδοθεί στον καινούριο ιδιοκτήτη του προϊόντος.
- Αποφύγετε την πρόκληση ζημιάς στο καλώδιο ρεύματος όταν μεταφέρετε το ψυγείο. Αν το καλώδιο τσακίσει μπορεί να προκληθεί πυρκαγιά. Ποτέ μην τοποθετείτε βαριά αντικείμενα πάνω στο καλώδιο ρεύματος. Μην αγγίζετε το φως με υγρά χέρια όταν συνδέετε το προϊόν στην πρίζα.



- Μη συνδέσετε το ψυγείο σε πρίζα που δεν είναι καλά στερεωμένη στη θέση της.
- Για λόγους ασφαλείας, δεν πρέπει ποτέ να πιτσιλίζετε νερό απ' ευθείας σε εσωτερικά ή εξωτερικά μέρη του προϊόντος.
- Για να αποφύγετε τον κίνδυνο πυρκαγιάς και έκρηξης, μην ψεκάζετε κοντά στο ψυγείο υλικά που περιέχουν εύφλεκτα αέρια όπως προπάνιο κ.λ.π.
- Ποτέ μην τοποθετείτε πάνω στο ψυγείο δοχεία που περιέχουν νερό, γιατί μπορεί να προκληθεί ηλεκτροπληξία ή πυρκαγιά.

- Μην υπερφορτώνετε το ψυγείο με υπερβολική ποσότητα τροφίμων. Αν υπερφορτωθεί το ψυγείο, όταν ανοίγετε την πόρτα τα τρόφιμα μπορεί να πέσουν και να σας κτυπήσουν ή να προξενήσουν ζημιά στο ψυγείο. Ποτέ μην τοποθετείτε αντικείμενα πάνω στο ψυγείο. Διαφορετικά μπορεί να πέσουν όταν ανοίγετε ή κλείνετε την πόρτα του ψυγείου.
- Επειδή για τη φύλαξή τους απαιτούνται ακριβείς συνθήκες θερμοκρασίας, δεν πρέπει να φυλάσσονται στο ψυγείο εμβόλια, φάρμακα ευαίσθητα στη θερμοκρασία, επιστημονικά υλικά κλπ.
- Το ψυγείο θα πρέπει να αποσυνδέεται από το ρεύμα αν δεν πρόκειται να χρησιμοποιηθεί για μεγάλο χρονικό διάστημα. Ένα ενδεχόμενο πρόβλημα στο καλώδιο ρεύματος μπορεί να προκαλέσει πυρκαγιά.
- Τα άκρα του φινιρίσματος πρέπει να καθαρίζονται τακτικά, αλλιώς μπορεί να προκληθεί πυρκαγιά.
- Τα άκρα του φινιρίσματος να καθαρίζονται τακτικά με ένα στεγνό πανί, αλλιώς μπορεί να προκληθεί πυρκαγιά.
- Το ψυγείο μπορεί να μετακινηθεί αν τα ρυθμιζόμενα πόδια δεν έχουν ρυθμιστεί ώστε να έχουν σταθερή επαφή με το δάπεδο. Η σωστή στερέωση των ρυθμιζόμενων ποδιών στο δάπεδο μπορεί να αποτρέψει τη μετακίνηση του ψυγείου.
- Όταν μεταφέρετε το ψυγείο μην το κρατάτε από τη λαβή της πόρτας. Διαφορετικά, αυτή μπορεί να σπάσει.
- Όταν χρειαστεί να εγκαταστήσετε το ψυγείο σας δίπλα σε άλλο ψυγείο ή καταψύκτη, η απόσταση ανάμεσα στις συσκευές θα πρέπει να είναι τουλάχιστον 8 εκ. Διαφορετικά, μπορεί να σχηματιστεί υγρασία στα γειτονικά πλευρικά τοιχώματα.

το νερού δικτύου δεν θα πρέπει να είναι μεγαλύτερη από 8 bar.

- Χρησιμοποιείτε μόνο πόσιμο νερό.

Ασφάλεια των παιδιών

- Αν το ψυγείο σας διαθέτει κλειδαριά, πρέπει να φυλάτε το κλειδί μακριά από παιδιά.
- Τα παιδιά πρέπει να βρίσκονται υπό επίβλεψη ώστε να μην επεμβαίνουν στο προϊόν.

Προειδοποίηση HCA (Για συσκευές Ψύξης - Θέρμανσης)

Αν το ψυκτικό σύστημα της συσκευής σας περιέχει R600a:

Το αέριο αυτό είναι εύφλεκτο. Για το λόγο αυτό, προσέχετε να μην προκληθεί ζημιά στο ψυκτικό σύστημα και τις σωληνώσεις του κατά τη χρήση και τη μεταφορά της συσκευής. Σε περίπτωση ζημιάς, κρατήστε τη συσκευή σας μακριά από ενδεχόμενες πηγές φωτιάς οι οποίες μπορούν να κάνουν το προϊόν να πιάσει φωτιά και αερίστε το χώρο στον οποίο είναι τοποθετημένη η μονάδα.

Αγνοήστε αυτή την προειδοποίηση αν το ψυκτικό σύστημα της συσκευής σας περιέχει R134a.

Ο τύπος αερίου που χρησιμοποιείται στο προϊόν αναφέρεται στην πινακίδα στοιχείων η οποία βρίσκεται πάνω στο αριστερό τοίχωμα στο εσωτερικό του ψυγείου.

Για προϊόντα με διανομέα νερού:

Η πίεση του νερού δικτύου δεν θα πρέπει να είναι μικρότερη από 1 bar. Η πίεση

Σε καμία περίπτωση μην πετάξετε το προϊόν σε φωτιά.

Τι πρέπει να κάνετε για εξοικονόμηση ενέργειας

- Μην αφήνετε τις πόρτες του ψυγείου σας ανοικτές για μεγάλο χρονικό διάστημα.
- Μην τοποθετείτε ζεστά φαγητά ή ποτά στο ψυγείο σας.
- Μην υπερφορτώνετε το ψυγείο σας, ώστε να μην εμποδίζεται η κυκλοφορία αέρα στο εσωτερικό του.
- Μην τοποθετείτε το ψυγείο σας σε απ' ευθείας ηλιακό φως ή κοντά σε συσκευές που εκπέμπουν θερμότητα όπως φούρνους, πλυντήρια πιάτων ή σώματα θέρμανσης.
- Φροντίζετε να διατηρείτε τα τρόφιμα σε κλειστά δοχεία.
- Για προϊόντα με χώρο κατάψυξης: Μπορείτε να φυλάξετε τη μέγιστη ποσότητα τροφίμων στην κατάψυξη όταν αφαιρέστε το ράφι ή το συρτάρι της κατάψυξης. Η αναφερόμενη τιμή κατανάλωσης ενέργειας για το ψυγείο σας προσδιορίστηκε ενώ είχε αφαιρεθεί το ράφι ή το συρτάρι της κατάψυξης και με το μέγιστο φορτίο τροφίμων. Δεν υπάρχει πρόβλημα από τη χρήση ραφιού ή συρταριού ανάλογα με τα σχήματα και τα μεγέθη των τροφίμων που πρόκειται να καταψυχθούν.
- Η απόψυξη των κατεψυγμένων τροφίμων στο χώρο συντήρησης θα παρέχει και εξοικονόμηση ενέργειας και καλύτερη διατήρηση της ποιότητας των τροφίμων.

3 Εγκατάσταση

- i** Παρακαλούμε να θυμάστε ότι δεν θα θεωρείται υπεύθυνος ο κατασκευαστής αν δεν τηρηθούν οι πληροφορίες που δίνονται στο εγχειρίδιο οδηγιών.

Σημεία που πρέπει να προσεχτούν κατά τη μεταφορά του προϊόντος

1. Θα πρέπει να αδειάσετε και να καθαρίσετε το ψυγείο σας πριν από οποιαδήποτε μεταφορά.
2. Πριν τοποθετήσετε πάλι το ψυγείο στη συσκευασία του, τα ράφια, τα αξεσουάρ, το συρτάρι λαχανικών κλπ. θα πρέπει να στερεωθούν με χρήση κολλητικής ταινίας για προστασία από τα τραντάγματα.
3. Η συσκευασία θα πρέπει να ασφαλιστεί με ταινίες κατάλληλου πάχους και γερά σχοινιά και θα πρέπει να ακολουθούνται οι κανόνες μεταφοράς που είναι τυπωμένοι στο κιβώτιο.

i Να θυμάστε πάντα...

Κάθε υλικό που ανακυκλώνεται είναι μια απαραίτητη πηγή υλικών προς όφελος της φύσης και των εθνικών μας πόρων.

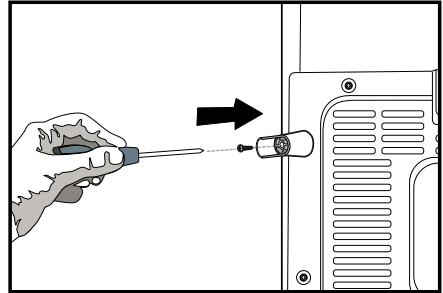
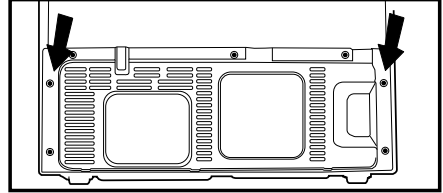
Αν επιθυμείτε να συμβάλετε στην ανακύκλωση των υλικών συσκευασίας, μπορείτε να πάρετε περισσότερες πληροφορίες από τους περιβαλλοντικούς φορείς ή τις τοπικές αρχές.

Πριν θέσετε σε λειτουργία το ψυγείο σας

Πριν αρχίσετε να χρησιμοποιείτε το ψυγείο σας ελέγξτε τα εξής:

1. Είναι το εσωτερικό του ψυγείου στεγνό και μπορεί ο αέρας να κυκλοφορεί ανεμπόδιστα στο πίσω του μέρος;
2. Εισάγετε τις 2 πλαστικές σφήνες στο πίσω κάλυμμα αερισμού, όπως δείχνει η ακόλουθη εικόνα. Για να το κάνετε αυτό, αφαιρέστε τις βίδες από το προϊόν και χρησιμοποιήστε τις βίδες που παρέχονται στο ίδιο σακουλάκι.

Οι πλαστικές σφήνες θα παρέχουν την απαιτούμενη απόσταση ανάμεσα στο ψυγείο σας και τον τοίχο ώστε να επιτρέπεται η κυκλοφορία του αέρα.



3. Καθαρίστε το εσωτερικό του ψυγείου όπως συνιστάται στην ενότητα "Συντήρηση και καθαρισμός".
4. Συνδέστε το ψυγείο στην πρίζα στον τοίχο. Όταν ανοίξει η πόρτα, θα ανάψει το αντίστοιχο εσωτερικό φως.
5. Θα ακούσετε ένα θόρυβο καθώς ξεκινά η λειτουργία του συμπιεστή. Το υγρό και τα αέρια που βρίσκονται στο κλειστό κύκλωμα ψύξης μπορεί επίσης να προκαλέσουν θόρυβο, ακόμα και όταν ο συμπιεστής δεν λειτουργεί, πράγμα που είναι φυσιολογικό.
6. Οι μπροστινές ακμές του ψυγείου μπορεί να είναι θερμές στο άγγιγμα. Αυτό είναι φυσιολογικό. Οι περιοχές αυτές έχουν σχεδιαστεί να είναι θερμές ώστε να αποφεύγεται η συμπύκνωση.

Ηλεκτρική σύνδεση

Συνδέστε το ψυγείο σας σε γειωμένη πρίζα η οποία προστατεύεται από ασφάλεια κατάλληλης ονομαστικής τιμής ρεύματος.

Σημαντική παρατήρηση:

- ⚠ Η σύνδεση πρέπει να συμμορφώνεται με τους εθνικούς κανονισμούς.
- ⚠ Το φως του καλωδίου ρεύματος πρέπει να είναι εύκολα προσπελάσιμο μετά την εγκατάσταση.
- ⚠ Η τάση λειτουργίας και η επιτρεπόμενη τιμή ασφάλειας προστασίας αναφέρονται στην ενότητα “Τεχνικές Προδιαγραφές”.
- ⚠ Η καθοριζόμενη ηλεκτρική τάση πρέπει να είναι ίδια με την τάση ρεύματος του δικτύου σας.
- ⚠ Δεν πρέπει να χρησιμοποιούνται καλώδια επέκτασης και πολύπριζα για τη σύνδεση στο ρεύμα.
- ⚠ Αν ένα καλώδιο ρεύματος έχει υποστεί ζημιά, αυτό πρέπει να αντικατασταθεί από αδειούχο ειδικό τεχνικό.
- ⚠ Δεν επιτρέπεται η λειτουργία της συσκευής πριν την επισκευή! Υπάρχει κίνδυνος ηλεκτροπληξίας!

Διάθεση των υλικών συσκευασίας

- ⚠ Τα υλικά συσκευασίας μπορεί να είναι επικίνδυνα για τα παιδιά. Κρατάτε τα υλικά συσκευασίας μακριά από παιδιά ή πετάξτε τα αφού τα διαχωρίσετε ανάλογα με τις οδηγίες για απόβλητα. Μην τα πετάξετε μαζί με τα κοινά οικιακά απορρίμματα.

Η συσκευασία του ψυγείου σας έχει παραχθεί από ανακυκλώσιμα υλικά.

Διάθεση του παλιού σας ψυγείου

Απορρίψτε την παλιά σας συσκευή με τρόπο φιλικό προς το περιβάλλον.

- ⚠ Σχετικά με τον τρόπο απόρριψης του ψυγείου σας μπορείτε να συμβουλευτείτε τον εξουσιοδοτημένο έμπορο που

συνεργάζεστε ή τις δημοτικές σας αρχές.

- ⚠ Πριν πετάξετε το ψυγείο σας, κόψτε το καλώδιο ρεύματος, και, αν υπάρχουν κλειδαριές σε πόρτες, καταστήστε τις μη λειτουργικές, για την προστασία των παιδιών από οποιονδήποτε κίνδυνο.

Τοποθέτηση και εγκατάσταση

- ⚠ Προσοχή: Ποτέ μην συνδέετε το ψυγείο στην πρίζα κατά τη διάρκεια της εγκατάστασης. Αλλιώς, μπορεί να δημιουργηθεί κίνδυνος θανάτου ή σοβαρού τραυματισμού.

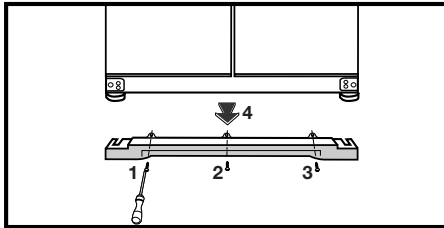
- ⚠ Αν η πόρτα εισόδου του χώρου όπου θα τοποθετηθεί το ψυγείο δεν είναι αρκετά πλατιά για να περάσει το ψυγείο, τότε καλέστε το εξουσιοδοτημένο σέρβις για να αφαιρέσει την πόρτα του ψυγείου σας και να το περάσει μέσα από την πόρτα με το πλάι.

1. Εγκαταστήστε το ψυγείο σε θέση που προσφέρει ευκολία στη χρήση.
2. Κρατήστε το ψυγείο σας μακριά από πηγές θερμότητας, μέρη με υγρασία και από απ' ευθείας ηλιακό φως.
3. Πρέπει να υπάρχει επαρκής κυκλοφορία αέρα γύρω από το ψυγείο σας για να επιτυγχάνεται αποδοτική λειτουργία. Αν το ψυγείο πρέπει να τοποθετηθεί σε εσοχή στον τοίχο, θα πρέπει να υπάρχει ελάχιστη απόσταση 5 εκ. από το ταβάνι και 5 εκ. από τον τοίχο.
4. Αν το πάτωμα είναι καλυμμένο με χαλί, το προϊόν σας θα πρέπει να ανυψωθεί κατά 2,5 εκ. από το δάπεδο.
5. Τοποθετήστε το ψυγείο σας σε δάπεδο με επίπεδη επιφάνεια για να αποφευχθούν τα τραντάγματα.
6. Μην αφήνετε το ψυγείο σας σε θερμοκρασίες περιβάλλοντος χώρου μικρότερες από 10 °C.

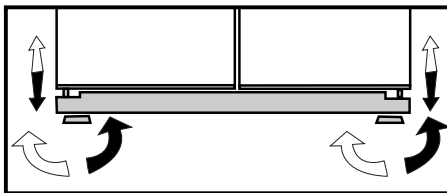
Ρύθμιση ευστάθειας στο δάπεδο

⚠ Αν το ψυγείο σας δεν έχει ευστάθεια:

⚠ Πρώτα αφαιρέστε το φινιρίσμα του προϊόντος από την πρίζα. Το φινιρίσμα του προϊόντος πρέπει να έχει αποσυνδεθεί από την πρίζα όταν διενεργείτε τη ρύθμιση της ευστάθειας. Υπάρχει ο κίνδυνος ηλεκτροπληξίας.



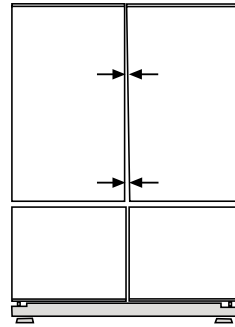
1- Πριν τη διαδικασία ξεβιδώστε το κάλυμμα αερισμού ξεβιδώνοντας τις βίδες του, όπως δείχνει η εικόνα. Μπορείτε να ισοροπήσετε το ψυγείο σας περιστρέφοντας τα μπροστινά πόδια του, όπως δείχνει η εικόνα. Η γωνία όπου βρίσκεται το πόδι χαμηλώνει όταν περιστρέψετε το πόδι στην κατεύθυνση του μαύρου βέλους και ανυψώνεται όταν το γυρίζετε στην αντίθετη κατεύθυνση. Η διαδικασία αυτή θα γίνει πιο εύκολη αν κάποιος σας βοηθήσει ανυψώνοντας ελαφρά το ψυγείο.



2. Αφού διορθωθεί το θέμα της ευστάθειας, τοποθετήστε πάλι το κάλυμμα αερισμού και σφίξτε τις βίδες.

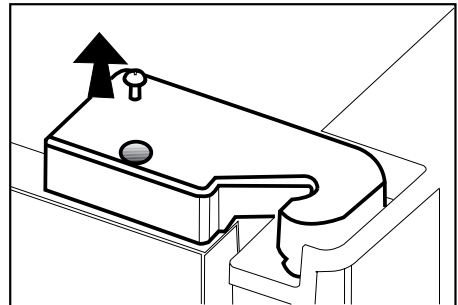
3. Αφαιρέστε τις βίδες που συγκρατούν το κάτω κάλυμμα αερισμού χρησιμοποιώντας σταυροκατσαβίδο.

Ρύθμιση του διακένου από την πάνω πόρτα

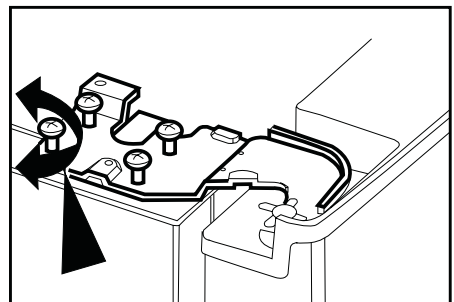


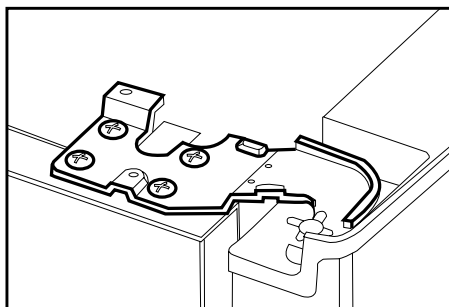
ⓘ Μπορείτε να ρυθμίσετε το διάκενο ανάμεσα στις πόρτες του ψυγείου όπως δείχνουν οι εικόνες.

Τα ράφια του ψυγείου θα πρέπει να είναι κενά κατά τη ρύθμιση του ύψους στις πόρτες.

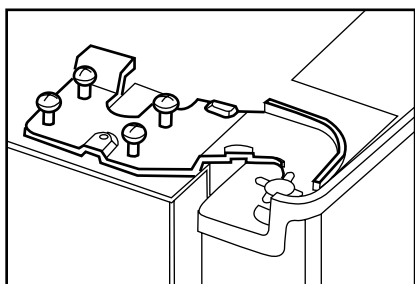


ⓘ Με ένα κατσαβίδι αφαιρέστε τη βίδα του καλύμματος του πάνω μεντεσέ της πόρτας που θέλετε να ρυθμίσετε.

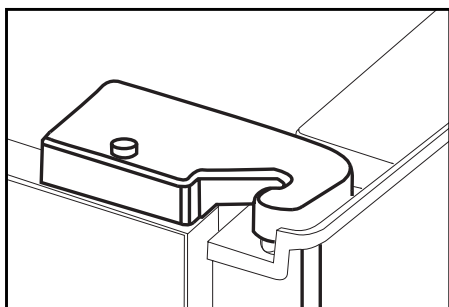




i Ρυθμίστε σωστά την πόρτα όπως επιθυμείτε αφού χαλαρώσετε τις βίδες.



i Στερεώστε την πόρτα που ρυθμίσατε σφίγγοντας τις βίδες χωρίς να αλλάξετε τη θέση της πόρτας.



i Τοποθετήστε πάλι το κάλυμμα του μεντεσέ και στερεώστε με τη βίδα.

Εγκατάσταση του φίλτρου νερού

(σε ορισμένα μοντέλα)

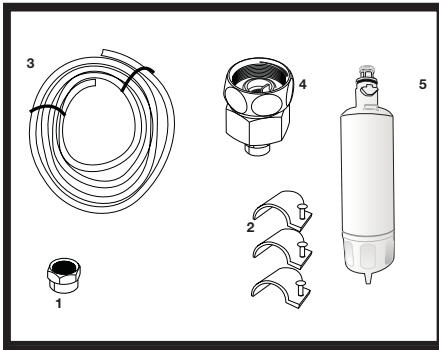
Για την τροφοδοσία με νερό μπορούν να συνδεθούν στο ψυγείο δύο πηγές νερού: η παροχή κρύου νερού δικτύου και νερό σε φιάλη.

Απαιτήσεις Εγκατάστασης

Για χρήση νερού σε φιάλη θα πρέπει να χρησιμοποιηθεί αντλία.

Ελέγξτε ότι με τη συσκευή σας έχουν παραδοθεί τα εξαρτήματα που αναφέρονται πιο κάτω.

1. Ρακόρ για σύνδεση του σωλήνα νερού στο πίσω μέρος της συσκευής. (Αν δεν ταιριάζει, προμηθευτείτε το κατάλληλο από το πλησιέστερο εξουσιοδοτημένο κέντρο σέρβις.)
 2. 2 τεμ. σφικτήρες σωλήνα (σε περίπτωση που απαιτούνται για τη στερέωση του σωλήνα νερού)
- Παρατήρηση: Επειδή τα εξαρτήματα που ακολουθούν δεν απαιτούνται για χρήση με φιάλη, ίσως να μην υπάρχουν το προϊόν που προμηθευτήκατε.
3. Σωλήνας νερού μήκους 5 μέτρων (διαμέτρου 1/4 ιντσας)
 4. Βαλβίδα παροχής κρύου νερού με φίλτρο πλέγματος (προσαρμογέας βρύσης)
 5. Φίλτρο νερού ή εξωτερικά συνδεόμενο φίλτρο, το οποίο πρέπει να τοποθετηθεί στο στήριγμα στο εσωτερικό του χώρου συντήρησης.



Πρώτα πρέπει να προσδιοριστεί η θέση όπου πρόκειται να τοποθετηθεί το εξωτερικό φίλτρο. (Αυτό έχει εφαρμογή στο

φίλτρο που χρησιμοποιείται εξωτερικά του ψυγείου.) Κατόπιν προσδιορίστε την απόσταση ανάμεσα στο φίλτρο και στο ψυγείο και τα απαιτούμενα μήκη εύκαμπτου σωλήνα από το φίλτρο ως την είσοδο νερού του ψυγείου.

Το φίλτρο νερού πρέπει να συγκρατείται όρθιο όπως δείχνει η εικόνα. Είναι σημαντικό να συνδέσετε σωστά το φίλτρο στα σημεία εισόδου και εξόδου του νερού.

Μετά τη σύνδεση του φίλτρου, μη χρησιμοποιήσετε τα πρώτα 3-4 ποτήρια νερού.

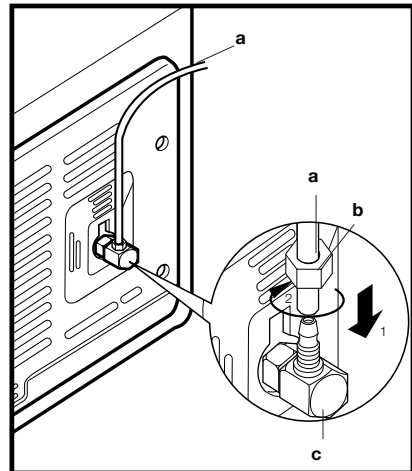
Σύνδεση του σωλήνα νερού στο ψυγείο

1. Μετά την τοποθέτηση του ρακόρ στο σωλήνα νερού, συνδέστε το σωλήνα νερού στη βαλβίδα εισόδου του ψυγείου πιέζοντάς τον σταθερά προς τα κάτω.

2. Στερεώστε το ρακόρ όπως φαίνεται στο απέναντι σχήμα, πιέζοντάς το με το χέρι πάνω στη βαλβίδα εισόδου του ψυγείου.

(a- Σωλήνας νερού, b-Ρακόρ, c-Βαλβίδα)

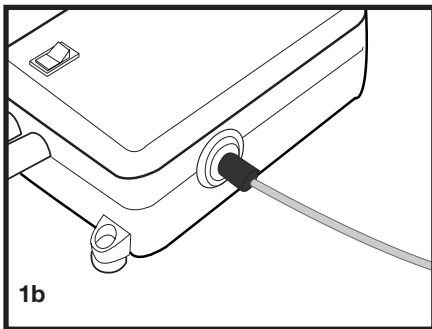
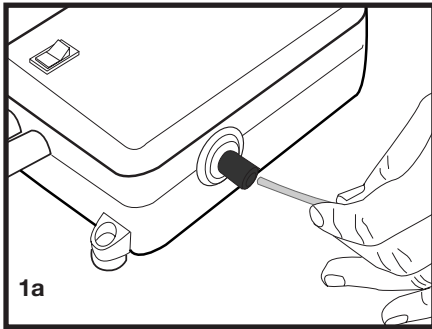
i Σημείωση 1: Δεν θα πρέπει να χρειάζεται να σφίξετε το ρακόρ με εργαλείο για να επιτύχετε υδατοστεγή σύνδεση. Σε περίπτωση διαρροής χρησιμοποιήστε ένα κλειδί ή πένσα για να σφίξετε το ρακόρ.



Σύνδεση εύκαμπτου σωλήνα νερού στη φιάλη (σε ορισμένα μοντέλα)

Για να συνδέσετε στο ψυγείο νερό από φιάλη θα χρειαστείτε μια αντλία. Ακολουθήστε τις πιο κάτω οδηγίες αφού συνδέσετε στο ψυγείο ένα άκρο του σωλήνα που έρχεται από την αντλία, όπως περιγράφεται στην προηγούμενη σελίδα.

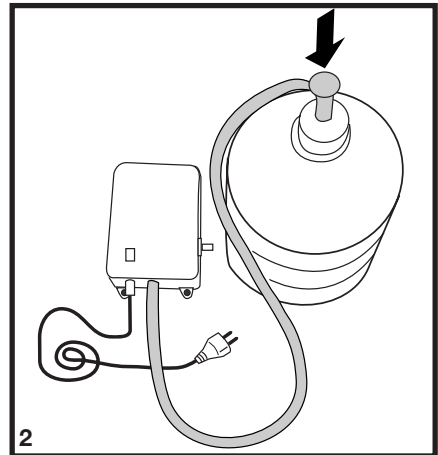
1. Ολοκληρώστε τη σύνδεση πιέζοντας το άλλο άκρο του σωλήνα νερού στην είσοδο σωλήνα νερού της αντλίας όπως δείχνει το σχήμα.



2. Τοποθετήστε και στερεώστε το λαστιχένιο σωλήνα νερού στη φιάλη όπως δείχνει το σχήμα.
3. Μετά την ολοκλήρωση της σύνδεσης, συνδέστε την αντλία στο ρεύμα και θέστε τη σε λειτουργία.

Για να επιτύχετε αποτελεσματική λειτουργία της αντλίας, περιμένετε 2-3 λεπτά μετά την εκκίνηση της αντλίας.

- i** Για τη σύνδεση του νερού μπορείτε να ανατρέξετε στο εγχειρίδιο χρήσης της αντλίας.
- i** Δεν χρειάζεται η χρήση φίλτρου νερού σε περίπτωση χρήσης φιάλης.
- i** Όταν χρησιμοποιείται φιάλη, χρειάζεται η χρήση αντλίας.



Σύνδεση του σωλήνα νερού στη γραμμή παροχής κρύου νερού δικτύου

(σε ορισμένα μοντέλα)

Αν θέλετε να χρησιμοποιήσετε το ψυγείο σας συνδέοντάς το στη γραμμή νερού δικτύου,

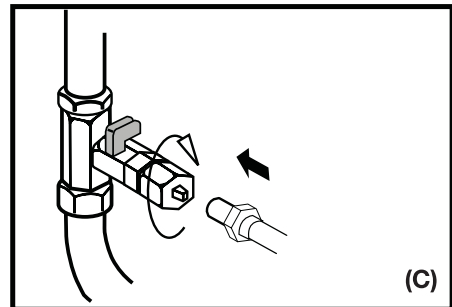
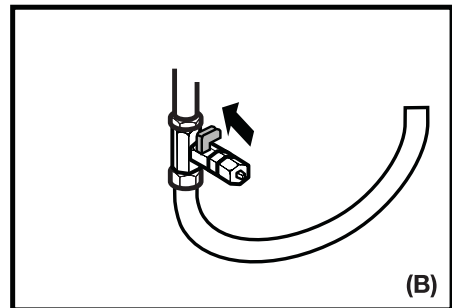
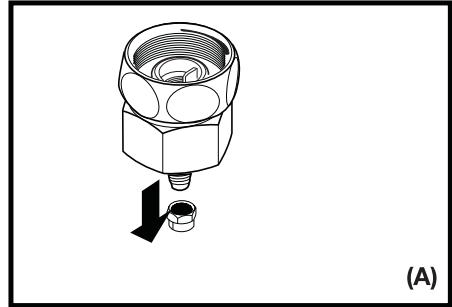
θα πρέπει να συνδέσετε ένα στάνταρ διακόπτη νερού 1/2" στην παροχή κρύου νερού του σπιτιού σας. Σε περίπτωση που δεν υπάρχει αυτή η βαλβίδα ή σε περίπτωση που δεν είστε βέβαιοι, συμβουλευτείτε έναν εξειδικευμένο υδραυλικό.

1. Αποχωρίστε το ρακόρ από τον προσαρμογέα βρύσης. (Σχήμα Α)
2. Τοποθετήστε τον προσαρμογέα βρύσης στο διακόπτη νερού 1/2" όπως δείχνει το σχήμα. (Σχήμα Β)
3. Μετά την εισαγωγή του σωλήνα νερού στο ρακόρ, τοποθετήστε το στον προσαρμογέα βρύσης και εισάγετέ το στη βρύση όπως δείχνει το σχήμα. (Σχήμα Γ)
4. Σφίξτε το ρακόρ με το χέρι. Σε περίπτωση διαρροής χρησιμοποιήστε ένα κλειδί ή πένσα για να σφίξετε το ρακόρ.

⚠ Προσοχή: Ασφαλίστε το σωλήνα νερού σε κατάλληλα σημεία με τη βοήθεια των σφικτήρων σωλήνα που παρέχονται για να αποφύγετε τυχόν ζημιά ή μετατόπιση ή τυχαία αποσύνδεση.

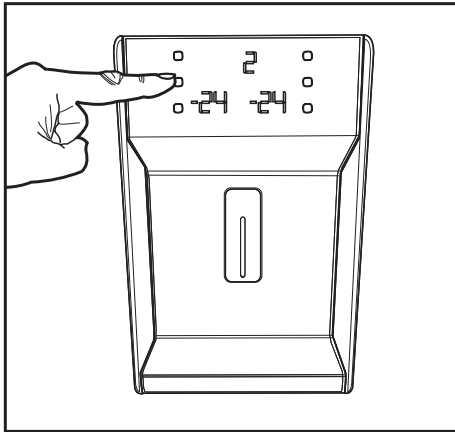
⚠ Προσοχή: Αφού ανοίξετε το διακόπτη νερού, βεβαιωθείτε ότι δεν υπάρχει διαρροή σε κανένα από τα δύο σημεία σύνδεσης του σωλήνα. Σε περίπτωση διαρροής κλείστε αμέσως το διακόπτη νερού και σφίξτε πάλι όλες τις συνδέσεις χρησιμοποιώντας ένα κλειδί ή μια πένσα.

⚠ Προσοχή: Βεβαιωθείτε ότι υπάρχει ο στάνταρ διακόπτη νερού 1/2" στο δίκτυο παροχής κρύου νερού και ότι έχει κλειστεί πλήρως.

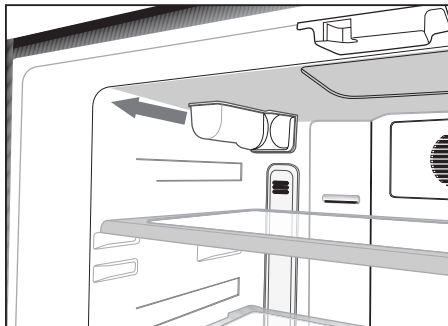


Για να τοποθετήσετε το φίλτρο νερού ακολουθήστε τις πιο κάτω οδηγίες ανατρέχοντας και στα παρεχόμενα σχήματα.

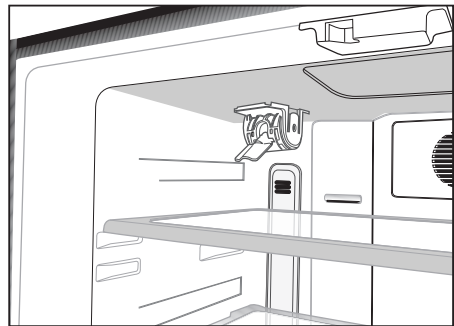
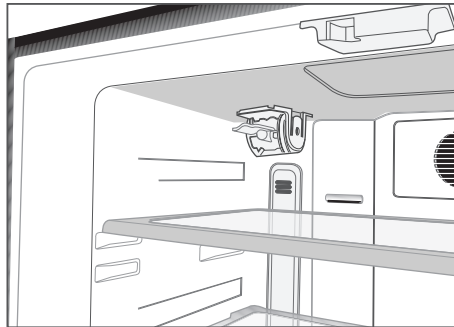
1. Πατήστε το κουμπί Ακύρωσης παραγωγής Πάγου στην οθόνη.



2. Αφαιρέστε το κάλυμμα φίλτρου από το χώρο συντήρησης τραβώντας προς τα εμπρός.



3. Αφαιρέστε το κάλυμμα παράκαμψης φίλτρου νερού περιστρέφοντάς το προς τα κάτω.



⚠ Προσοχή: Βεβαιωθείτε ότι είναι ενεργή η λειτουργία "Διακοπή παραγωγής πάγου" πριν αφαιρέσετε το κάλυμμα παράκαμψης. Παρατήρηση: Είναι φυσιολογικό να στάξουν λίγες σταγόνες νερού μετά την αφαίρεση του καλύμματος.

4. Αφαιρέστε το κάλυμμα από το πάνω μέρος του φίλτρου νερού για να το τοποθετήσετε όπως δείχνει το σχήμα και γυρίστε το προς τα πάνω για να το ασφαλίσετε.
5. Για έξοδο από τη λειτουργία αυτή πιέστε πάλι το κουμπί Ακύρωσης Παραγωγής πάγου.

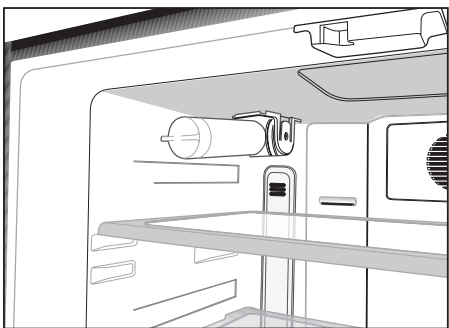
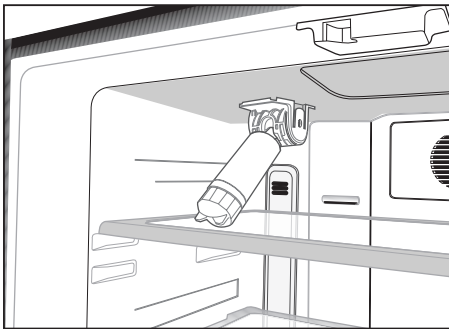
Το φίλτρο νερού θα πρέπει να αντικαθίσταται κάθε 6 μήνες.

Αν θέλετε να υπολογιστεί αυτόματα ο χρόνος αλλαγής φίλτρου νερού και να λάβετε μια προειδοποίηση στο τέλος του χρόνου χρήσης, διαβάστε το τμήμα "Αυτόματος υπολογισμός του χρόνου χρήσης του φίλτρου".

Το φίλτρο νερού πρέπει να αφαιρεθεί όπως φαίνεται στο σχήμα όταν πρόκειται να αντικατασταθεί ή όταν δεν θα χρησιμοποιηθεί πλέον και πρέπει να τοποθετηθεί το κάλυμμα παράκαμψης. Πρέπει να βεβαιωθείτε ότι είναι ενεργή η λειτουργία "Διακοπή παραγωγής πάγου" πριν το αφαιρέσετε.

⚠ Προσοχή: Το φίλτρο νερού κατακρατεί ορισμένα ξένα σωματίδια από το νερό. Δεν καθαρίζει το νερό από μικρο-οργανισμούς.

⚠ Προσοχή: Πρέπει πάντα να έχει πατηθεί το κουμπί Ice off (Διακοπή παραγωγής πάγου) κατά την αντικατάσταση του φίλτρου νερού ή κατά την εγκατάσταση του καλύμματος παράκαμψης.



Πριν την πρώ τη χρήση του Διανομέα Νερού

i Η πίεση του νερού δικτύου δεν πρέπει να είναι μικρότερη από 1 bar.

i Η πίεση του νερού δικτύου δεν πρέπει να είναι μεγαλύτερη από 8 bar.

i Πρέπει να χρησιμοποιηθεί αντλία αν η πίεση παροχής νερού πέσει κάτω από 1 bar ή αν πρόκειται να χρησιμοποιηθεί φιάλη.

i Το σύστημα νερού του ψυγείου πρέπει να συνδέεται σε γραμμή κρύου νερού. Δεν πρέπει να συνδεθεί σε γραμμή ζεστού νερού.

i Στην αρχή της λειτουργίας του ψυγείου ενδέχεται να μη μπορείτε να πάρετε κρύο νερό. Αυτό προκαλείται από ύπαρξη αέρα στο σύστημα. Για να απομακρύνετε τον αέρα από το σύστημα, πιέστε το μοχλό του διανομέα για διαστήματα του 1 λεπτού έως ότου αρχίσει να βγαίνει νερό από το διανομέα. Στην αρχή η ροή του νερού μπορεί να είναι ακανόνιστη. Η ακανόνιστη ροή του νερού θα γίνει κανονική αφού απομακρυνθεί ο αέρας που υπάρχει στο σύστημα.

i Στην αρχή της λειτουργίας του ψυγείου πρέπει να περάσουν περ. 12 ώρες πριν μπορέσετε να έχετε κρύο νερό.

i Η πίεση του νερού δικτύου θα πρέπει να είναι 1-8 bar για να λειτουργεί ομαλά ο Διανομέας Πάγου/Νερού. Για το λόγο αυτό, ελέγξτε ότι 1 ποτήρι νερού (100 cc) μπορεί να γεμίσει σε 10 δευτερόλεπτα.

i Δεν θα πρέπει να καταναλώσετε τα πρώτα 10 ποτήρια νερού.

i Περίπου οι πρώτοι 30 κύβοι πάγου που θα πάρετε από το διανομέα πάγου δεν πρέπει να χρησιμοποιηθούν.

i Πάντα χρησιμοποιείτε το φίλτρο νερού όταν δεν χρησιμοποιείτε φιάλη.

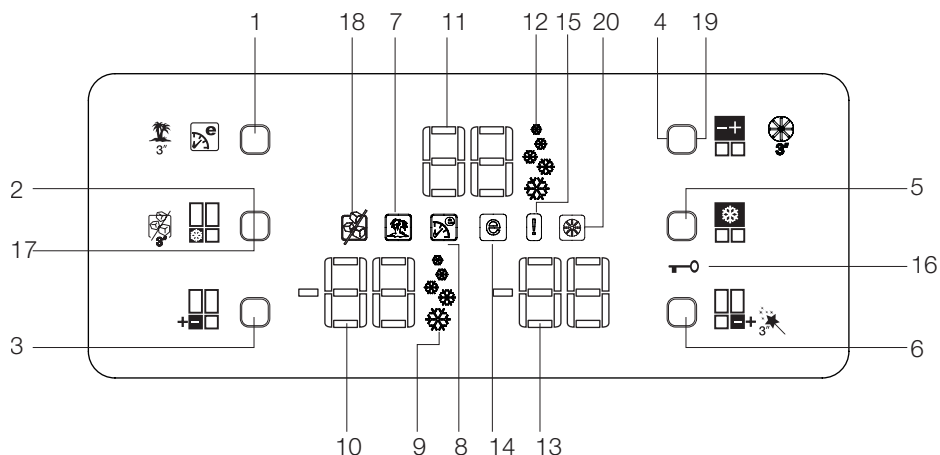
4 Προετοιμασία

- i** Το ψυγείο σας θα πρέπει να εγκατασταθεί σε απόσταση τουλάχιστον 30 εκ. από πηγές θερμότητας όπως εστίες μαγειρέματος, φούρνους, σώματα κεντρικής θέρμανσης και σόμπες και τουλάχιστον 5 εκ. μακριά από ηλεκτρικούς φούρνους και δεν θα πρέπει να τοποθετείται σε μέρη όπου δέχεται απ' ευθείας ηλιακή ακτινοβολία.
- i** Η θερμοκρασία περιβάλλοντος του δωματίου που τοποθετείτε το ψυγείο σας θα πρέπει να είναι τουλάχιστον 10°C. Η λειτουργία του ψυγείου σας σε πιο κρύες συνθήκες από αυτές δεν συνιστάται από την άποψη της απόδοσής του.
- i** Παρακαλούμε να φροντίζετε να διατηρείτε το εσωτερικό του ψυγείου σας σχολαστικά καθαρό.
- i** Αν πρέπει να εγκατασταθούν δύο ψυγεία το ένα δίπλα στο άλλο, θα πρέπει να υπάρχει μεταξύ τους απόσταση τουλάχιστον 2 εκ.
- i** Όταν θέσετε το ψυγείο σε λειτουργία για πρώτη φορά, παρακαλούμε τηρείτε τις ακόλουθες οδηγίες κατά τις αρχικές έξι ώρες.
 - Η πόρτα δεν θα πρέπει να ανοίγει συχνά.
 - Το ψυγείο θα πρέπει να λειτουργήσει κενό, χωρίς τρόφιμα στο εσωτερικό του.
 - Μην αποσυνδέσετε το ψυγείο σας από το ρεύμα. Αν συμβεί μια ανεξέλεγκτη διακοπή ρεύματος, δείτε τις προειδοποιήσεις στην ενότητα “Συνιστώμενες λύσεις για προβλήματα”.
- i** Η αρχική συσκευασία και τα αφρώδη υλικά θα πρέπει να φυλαχτούν για μελλοντικές μεταφορές ή μετακόμιση.

5 Χρήση του ψυγείου σας

Πίνακας ενδείξεων

Αυτός ο πίνακας ενδείξεων με σύστημα αφής σας επιτρέπει να ρυθμίσετε τη θερμοκρασία χωρίς να ανοίξετε την πόρτα του ψυγείου σας. Για να ρυθμίσετε τη θερμοκρασία, απλά αγγίξετε το αντίστοιχο κουμπί με το δάχτυλό σας.



1. Κουμπί Πολύ οικονομικής λειτουργίας/ Διακοπών
2. Κουμπί Ταχείας κατάψυξης
3. Κουμπί ρύθμισης θερμοκρασίας χώρου Κατάψυξης
4. Κουμπί ρύθμισης θερμοκρασίας χώρου Συντήρησης
5. Κουμπί Ταχείας Ψύξης
6. Κουμπί ρύθμισης θερμοκρασίας χώρου Ευέλικτης ζώνης
7. Ένδειξη λειτουργίας Διακοπών
8. Ένδειξη Πολύ οικονομικής λειτουργίας
9. Ένδειξη λειτουργίας Ταχείας Κατάψυξης
10. Ένδειξη θερμοκρασίας χώρου Κατάψυξης
11. Ένδειξη θερμοκρασίας χώρου Συντήρησης
12. Ένδειξη λειτουργίας Ταχείας Ψύξης
13. Ένδειξη θερμοκρασίας χώρου φύλαξης Ευέλικτης ζώνης
14. Ένδειξη Οικονομικής λειτουργίας
15. Ένδειξη Κατάστασης σφάλματος
16. Ένδειξη κλειδώματος πλήκτρων
17. Κουμπί Ακύρωσης παραγωγής Πάγου
18. Ένδειξη διακοπής παραγωγής πάγου
19. Κουμπί Ακύρωσης Προειδοποίησης αλλαγής φίλτρου
20. Ένδειξη Προειδοποίησης αλλαγής φίλτρου

1. Κουμπί Πολύ οικονομικής λειτουργίας/Διακοπών v

Πατήστε σύντομα αυτό το κουμπί για να ενεργοποιήσετε την Πολύ οικονομική λειτουργία. Για να ενεργοποιήσετε τη λειτουργία Διακοπών πατήστε και κρατήστε πατημένο αυτό το πλήκτρο για 3 δευτερόλεπτα. Για να απενεργοποιήσετε την επιλεγμένη λειτουργία, πατήστε αυτό το κουμπί πάλι.

2. Κουμπί Ταχείας κατάψυξης

Για να ενεργοποιήσετε τη λειτουργία Ταχείας κατάψυξης πατήστε σύντομα αυτό το κουμπί. Για να απενεργοποιήσετε την επιλεγμένη λειτουργία, πατήστε αυτό το κουμπί πάλι.

3. Κουμπί ρύθμισης θερμοκρασίας χώρου Κατάψυξης

Πατήστε το κουμπί αυτό για να ρυθμίσετε τη θερμοκρασία του χώρου κατάψυξης σε -18, -20, -22, -24, -18... αντίστοιχα. Πατήστε αυτό το κουμπί για να ρυθμίσετε την επιθυμητή θερμοκρασία για το χώρο Κατάψυξης.

4. Κουμπί ρύθμισης θερμοκρασίας χώρου Συντήρησης

Πατήστε το κουμπί αυτό για να ρυθμίσετε τη θερμοκρασία του χώρου Συντήρησης σε 8, 6, 4, 2, 8... αντίστοιχα. Πατήστε αυτό το κουμπί για να ρυθμίσετε την επιθυμητή θερμοκρασία για το χώρο Συντήρησης.

5. Κουμπί Ταχείας Ψύξης

Για να ενεργοποιήσετε την λειτουργία Ταχείας Ψύξης πατήστε σύντομα αυτό το κουμπί. Για να απενεργοποιήσετε την επιλεγμένη λειτουργία, πατήστε αυτό το κουμπί πάλι.

6. Κουμπί ρύθμισης θερμοκρασίας χώρου Ευέλικτης ζώνης

Μπορείτε να ρυθμίσετε το χώρο Ευέλικτης ζώνης να λειτουργεί είτε ως Κατάψυξη είτε ως Ψύκτης. Πατήστε και κρατήστε πατημένο παρατεταμένα (για

3 δευτερόλεπτα) αυτό το κουμπί για να ρυθμίσετε το χώρο Ευέλικτης ζώνης να λειτουργεί είτε ως Κατάψυξη είτε ως Ψύκτης. Εργοστασιακά αυτός ο χώρος έχει ρυθμιστεί να λειτουργεί ως χώρος Κατάψυξης.

Αν ο χώρος Ευέλικτης ζώνης έχει ρυθμιστεί να λειτουργεί ως Κατάψυξη, τότε η θερμοκρασία του χώρου Ευέλικτης ζώνης θα αλλάζει ως -18, -20, -22, -24, -18... αντίστοιχα κάθε φορά που πατάτε αυτό το κουμπί. Αν ο χώρος Ευέλικτης ζώνης έχει ρυθμιστεί να λειτουργεί ως Ψύκτης, τότε η θερμοκρασία του χώρου Ευέλικτης ζώνης θα αλλάζει ως 10, 8, 6, 4, 2, 0, -6, ... αντίστοιχα κάθε φορά που πατάτε αυτό το κουμπί.

7. Ένδειξη λειτουργίας Διακοπών v

Δείχνει ότι η λειτουργία Διακοπών είναι ενεργή. Αν αυτή η λειτουργία είναι ενεργή, η ένδειξη για το χώρο συντήρησης είναι "- -" και δεν υπάρχει ψύξη στο χώρο συντήρησης. Οι άλλοι χώροι θα ψύχονται σύμφωνα με τη θερμοκρασία που έχει ρυθμιστεί γι' αυτούς.

Για να απενεργοποιήσετε αυτή τη λειτουργία, πατήστε πάλι το σχετικό κουμπί.

8. Ένδειξη Πολύ οικονομικής λειτουργίας

Δείχνει ότι η Πολύ οικονομική λειτουργία είναι ενεργή. Αν αυτή η λειτουργία είναι ενεργή, το ψυγείο σας θα ανιχνεύσει αυτόματα τις περιόδους ελαχιστοποιημένης χρήσης και στη διάρκεια αυτών των περιόδων θα εκτελείται ενεργειακά αποδοτική ψύξη. Όσο εκτελείται ενεργειακά αποδοτική ψύξη θα είναι αναμμένη η ένδειξη οικονομικής λειτουργίας.

Για να απενεργοποιήσετε αυτή τη λειτουργία, πατήστε πάλι το σχετικό κουμπί.

9. Ένδειξη λειτουργίας Ταχείας Κατάψυξης

Δείχνει ότι η λειτουργία Ταχείας κατάψυξης είναι ενεργή. Χρησιμοποιείτε αυτή τη λειτουργία όταν τοποθετείτε νωπά τρόφιμα στο χώρο κατάψυξης ή όταν χρειάζεστε πάγο. Όταν είναι ενεργή αυτή η λειτουργία, το ψυγείο σας θα λειτουργεί για μια ορισμένη χρονική περίοδο.

Για να απενεργοποιήσετε αυτή τη λειτουργία, πατήστε πάλι το σχετικό κουμπί.

10. Ένδειξη θερμοκρασίας χώρου Κατάψυξης

Δείχνει τη θερμοκρασία που ρυθμίστηκε για το χώρο Κατάψυξης.

11. Ένδειξη θερμοκρασίας χώρου Συντήρησης

Δείχνει τη θερμοκρασία που ρυθμίστηκε για το Χώρο Συντήρησης.

12. Ένδειξη λειτουργίας Ταχείας Ψύξης

Δείχνει ότι η λειτουργία Ταχείας Ψύξης είναι ενεργή. Χρησιμοποιείτε αυτή τη λειτουργία όταν τοποθετείτε νωπά τρόφιμα στο χώρο συντήρησης ή όταν θέλετε να κρυώσει γρήγορα το φαγητό. Όταν είναι ενεργή αυτή η λειτουργία, το ψυγείο σας θα λειτουργεί αδιάκοπα για 2 ώρες.

Για να απενεργοποιήσετε αυτή τη λειτουργία, πατήστε πάλι το σχετικό κουμπί.

13. Ένδειξη θερμοκρασίας χώρου φύλαξης Ευέλικτης ζώνης

Δείχνει τη θερμοκρασία που έχει ρυθμιστεί για το χώρο Ευέλικτης ζώνης.

14. Ένδειξη Οικονομικής λειτουργίας

Δείχνει ότι το ψυγείο λειτουργεί σε ενεργειακά αποδοτική λειτουργία. Θερμοκρασία χώρου Συντήρησης
Αυτή η ένδειξη θα είναι ενεργή αν η λειτουργία τεθεί σε -18 ή αν εκτελείται ενεργειακά αποδοτική ψύξη λόγω της Πολύ οικονομικής λειτουργίας.

15. Ένδειξη Κατάστασης σφάλματος

Αυτή η ένδειξη θα ενεργοποιηθεί αν η ψύξη του ψυγείου σας δεν είναι επαρκής ή αν υπάρχει βλάβη του αισθητήρα. Όταν είναι ενεργή αυτή η ένδειξη, η ένδειξη θερμοκρασίας χώρου Κατάψυξης θα δείχνει "E" και η ένδειξη θερμοκρασίας χώρου Συντήρησης θα δείχνει αριθμούς όπως "1, 2, 3...". Αυτοί οι αριθμοί στην ένδειξη παρέχουν πληροφορίες στο προσωπικό σέρβις σχετικά με το σφάλμα.

16. Ένδειξη κλειδώματος πλήκτρων

Χρησιμοποιήστε αυτή τη λειτουργία όταν δεν θέλετε να αλλάξει κανείς τη ρύθμιση θερμοκρασίας του ψυγείου σας. Για να ενεργοποιήσετε αυτή τη δυνατότητα, πατήστε ταυτόχρονα παρατεταμένα (για 3 δευτερόλεπτα) το κουμπί Ταχείας Ψύξης και το κουμπί ρύθμισης χώρου Ευέλικτης ζώνης.

Για να απενεργοποιήσετε αυτή τη λειτουργία, πατήστε πάλι τα σχετικά κουμπιά.

17. Κουμπί Ακύρωσης παραγωγής Πάγου

Για να σταματήσετε την παραγωγή πάγου, πατήστε το κουμπί Ακύρωσης παραγωγής Πάγου για 3 δευτερόλεπτα. Όταν επιλεγεί η Ακύρωση παραγωγής Πάγου, δεν θα αποστέλλεται νερό στο κουτί πάγου. Ωστόσο, μπορεί να έχει μείνει πάγος στην παγοθήκη που μπορείτε να τον πάρετε. Για να επανεκκινήσετε την παραγωγή πάγου, πρέπει να πατήσετε το κουμπί Ακύρωσης παραγωγής Πάγου για 3 δευτερόλεπτα.

18. Εργαλείο Ακύρωσης παραγωγής Πάγου

Αν δεν θέλετε να λαμβάνετε πάγο από το ψυγείο σας, χρειάζεται να χρησιμοποιήσετε αυτή τη λειτουργία. Μπορείτε να χρησιμοποιήσετε αυτή τη λειτουργία πατώντας το κουμπί Ακύρωσης παραγωγής Πάγου για 3 δευτερόλεπτα.

19. Κουμπί Ακύρωσης Προειδοποίησης αλλαγής φίλτρου

Το φίλτρο του ψυγείου σας πρέπει να αντικαθίσταται κάθε 6 μήνες. Το ψυγείο σας υπολογίζει το χρόνο αυτόματα και η ένδειξη προειδοποίησης αλλαγής φίλτρου ανάβει όταν έχει περάσει ο χρόνος χρήσης του φίλτρου. Μετά την αλλαγή του φίλτρου πιέστε για 3 δευτερόλεπτα το Κουμπί ακύρωσης προειδοποίησης αλλαγής φίλτρου για να επιτρέψετε στο ψυγείο να υπολογίσει αυτόματα τον χρόνο του καινούριου φίλτρου.

20. Ένδειξη ακύρωσης Προειδοποίησης αλλαγής φίλτρου

Όταν έχει περάσει ο χρόνος χρήσης του φίλτρου, αρχίζει να ανάβει η ένδειξη Προειδοποίησης αλλαγής φίλτρου.

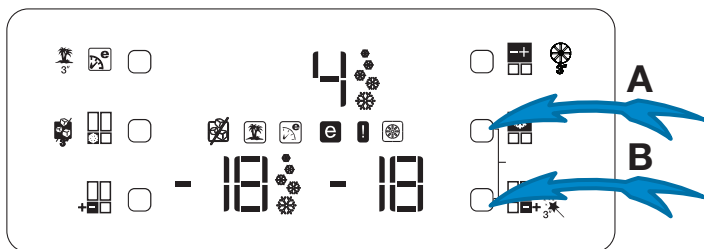
Ειδοποίηση Ανοικτής πόρτας:

Σε περίπτωση που οποιαδήποτε από τις πόρτες χώρου συντήρησης ή χώρου Ευέλικτης ζώνης παραμείνει ανοικτή για τουλάχιστον 1 λεπτό, θα ενεργοποιηθεί και θα ηχησει η Ειδοποίησης ανοικτής πόρτας. Για να σταματήσει ο ήχος της ειδοποίησης, απλά πατήστε οποιοδήποτε κουμπί στον πίνακα ενδείξεων ή κλείστε την ανοικτή πόρτα.

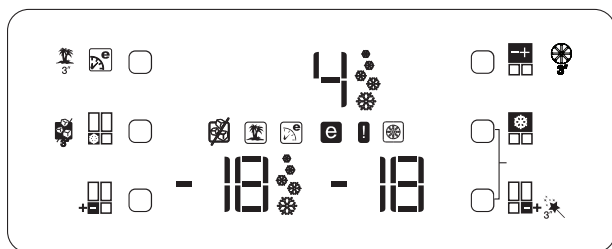
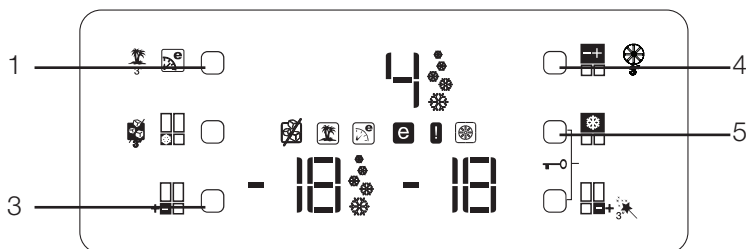
Τι πρέπει να κάνετε για να υπολογίζεται αυτόματα ο χρόνος χρήσης του φίλτρου

(Για προϊόντα συνδεδεμένα στη γραμμή νερού δικτύου και εξοπλισμένα με φίλτρο)

1- Αφού συνδέσετε στο ρεύμα το ψυγείο, πιέστε ταυτόχρονα τα κουμπιά A και B για να ενεργοποιήσετε το Κλειδώμα πλήκτρων.



2- Κατόπιν πιέστε τα κουμπιά Πολύ οικονομικής λειτουργίας (1), Ρύθμισης θερμοκρασίας χώρου συντήρησης (4), Ταχέιας Ψύξης (5) και Ρύθμισης θερμοκρασίας χώρου κατάψυξης (3) αντίστοιχα.



Αν ο συνδυασμός κουμπιών πατηθεί με τη σωστή σειρά, το σύμβολο κλειδώματος πλήκτρων θα βθήσει, ο βομβητής θα ενεργοποιηθεί για λίγο και η ένδειξη προειδοποίησης αλλαγής φίλτρου θα ανάψει. Μετά την αλλαγή του φίλτρου πιέστε το Κουμπί ακύρωσης προειδοποίησης αλλαγής φίλτρου (στοιχείο 19 στις περιγραφές του πίνακα ελέγχου) για να επιτρέψετε τον αυτόματο υπολογισμό του χρόνου χρήσης του φίλτρου.

i Αν ο χρόνος χρήσης του φίλτρου υπολογίζεται αυτόματα, η ένδειξη προειδοποίησης αλλαγής φίλτρου θα ανάψει σε λίγα δευτερόλεπτα από τη σύνδεση του προϊόντος στο ρεύμα.

i Ο αυτόματος υπολογισμός χρόνου χρήσης του φίλτρου δεν είναι ενεργοποιημένος κατά την παράδοση από το εργοστάσιο. Πρέπει να ενεργοποιηθεί σε προϊόντα που είναι εξοπλισμένα με φίλτρο.

i Επαναλάβετε την ίδια διαδικασία σε προϊόντα των οποίων ο αυτόματος υπολογισμός χρόνου χρήσης του φίλτρου είναι ενεργοποιημένος, αν θέλετε να απενεργοποιήσετε τον αυτόματο υπολογισμό χρόνου χρήσης του φίλτρου.

Θήκη αυγών

Μπορείτε να τοποθετήσετε την αυγοθήκη στο επιθυμητό ράφι πόρτας ή κυρίως ράφι.

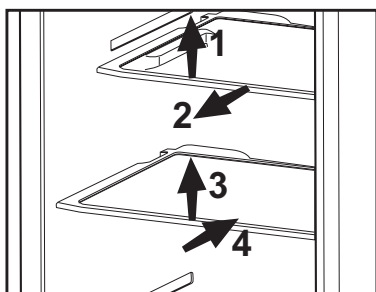
Μην τοποθετείτε ποτέ την αυγοθήκη στο χώρο κατάψυξης.

Συρόμενα ράφια θαλάμου

Μπορείτε να τραβήξετε τα συρόμενα ράφια θαλάμου ανυψώνοντάς τα ελαφρά από μπροστά και κινώντας τα πίσω και εμπρός. Όταν τα τραβάτε προς το μέρος σας σταματούν σε ένα σημείο για να μπορέσετε να φθάσετε τα τρόφιμα που είναι τοποθετημένα στο πίσω μέρος του ραφιού. Αν τα τραβήξετε αφού τα ανυψώσετε ελαφρά στο δεύτερο σημείο στοπ, τότε το ράφι θαλάμου θα απελευθερωθεί.

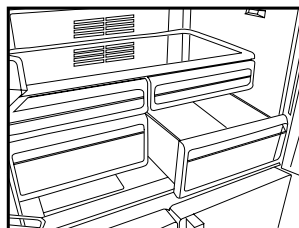
Πρέπει να κρατάτε το ράφι σταθερά και από το κάτω μέρος για να εμποδίσετε την ανατροπή του. Το ράφι θαλάμου τοποθετείται πάνω στις ράγες στις πλευρές του θαλάμου του ψυγείου φέρνοντάς το σε ένα επίπεδο ψηλότερα ή χαμηλότερα.

Για να εφαρμόσει καλά το ράφι θαλάμου θα πρέπει να το σπρώξετε τελείως πίσω.



Συρτάρι λαχανικών

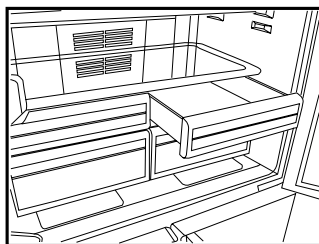
Τα συρτάρια λαχανικών του ψυγείου σας έχουν σχεδιαστεί ειδικά για να διατηρούν τα λαχανικά φρέσκα χωρίς να χάνουν την υγρασία τους. Για το σκοπό αυτό, η κυκλοφορία κρύου αέρα γίνεται γύρω από το συρτάρι λαχανικών ως σύνολο. Πριν αφαιρέσετε τα συρτάρια λαχανικών, αφαιρέστε τα ράφια πόρτας που ευθυγραμμίζονται με συρτάρι λαχανικών. Μπορείτε να αφαιρέσετε τα συρτάρια λαχανικών όπως δείχνει η εικόνα.



Χώρος Έντονης ψύξης

Οι χώροι Έντονης ψύξης επιτρέπουν στα τρόφιμα να παγώσουν ώστε να είναι έτοιμα για κατάψυξη. Μπορείτε επίσης να χρησιμοποιήσετε αυτούς τους χώρους για να αποθηκεύσετε τα τρόφιμά σας σε θερμοκρασία λίγων βαθμών κάτω από το χώρο συντήρησης.

Μπορείτε να αυξήσετε τον εσωτερικό όγκο του ψυγείου σας αφαιρώντας οποιονδήποτε από τους χώρους έντονης ψύξης. Για να το κάνετε αυτό, τραβήξτε το θάλαμο προς το μέρος σας. Ο χώρος θα ακουμπήσει στο στοπ και θα σταματήσει. Αυτός ο χώρος θα απελευθερωθεί αν τον ανυψώσετε περίπου 1 εκ. και τον τραβήξετε προς το μέρος σας.



Κινητό κεντρικό τμήμα

Προορισμός του κινητού κεντρικού τμήματος είναι να εμποδίζει τον κρύο αέρα από το εσωτερικό του ψυγείου σας να διαφεύγει προς τα έξω.

1- Στεγανοποίηση επιτυγχάνεται όταν οι στεγανοποιήσεις της πόρτας πιέζονται πάνω στην επιφάνεια του κινητού κεντρικού τμήματος όταν είναι κλειστές οι πόρτες του χώρου συντήρησης.

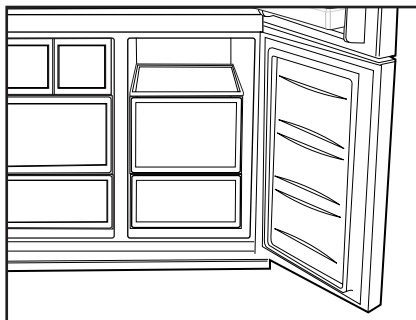
2- Ένας άλλος λόγος που το ψυγείο σας διαθέτει το κινητό κεντρικό τμήμα είναι ότι αυτό αυξάνει τον καθαρό όγκο του χώρου συντήρησης. Τα κανονικά κεντρικά τμήματα καταλαμβάνουν ορισμένο μη χρησιμοποιήσιμο όγκο στο ψυγείο.

3- Το κινητό κεντρικό τμήμα πρέπει είναι κλειστό όταν είναι κλειστή η αριστερή πόρτα του χώρου συντήρησης.

4- Δεν πρέπει να ανοίγεται χειροκίνητα. Κινείται υπό την καθοδήγηση του πλαστικού εξαρτήματος στο σώμα του θαλάμου όταν είναι κλειστή η πόρτα.

Χώρος φύλαξης Ευέλικτης ζώνης

Ο χώρος φύλαξης Ευέλικτης ζώνης του ψυγείου σας μπορεί να χρησιμοποιηθεί με οποιονδήποτε επιθυμητό τρόπο λειτουργίας ρυθμίζοντάς τον σε θερμοκρασίες συντήρησης (2/4/6/8 °C) ή κατάψυξης (-18/-20/-22/-24 °C). Μπορείτε να διατηρήσετε το χώρο στην επιθυμητή θερμοκρασία χρησιμοποιώντας το Κουμπί ρύθμισης θερμοκρασίας χώρου φύλαξης Ευέλικτης ζώνης. Η θερμοκρασία του χώρου φύλαξης Ευέλικτης ζώνης εκτός από τις τιμές θερμοκρασίας χώρου συντήρησης μπορεί να ρυθμιστεί επιπλέον στους 0 και 10 βαθμούς. Επίσης εκτός των θερμοκρασιών χώρου κατάψυξης μπορεί να ρυθμιστεί και στους -6 βαθμούς. Οι 0 βαθμοί χρησιμοποιούνται για φύλαξη των αλλαντικών για περισσότερο χρόνο και οι -6 βαθμοί χρησιμοποιούνται για διατήρηση των κρεατικών έως και για 2 εβδομάδες



σε κατάσταση όπου μπορούν να κοπούν εύκολα.

❗ Η δυνατότητα αλλαγής σε χώρο συντήρησης ή σε χώρο κατάψυξης γίνεται εφικτή από ένα στοιχείο ψύξης που είναι τοποθετημένο στο κλειστό τμήμα (τμήμα συμπιεστή) πίσω από το ψυγείο. Κατά τη λειτουργία αυτού του στοιχείου μπορεί να ακουστούν ήχοι που μοιάζουν με τον ήχο του δείκτη δευτερολέπτων αναλογικού ρολογιού. Αυτό είναι φυσιολογικό και δεν αποτελεί ένδειξη δυσλειτουργίας.

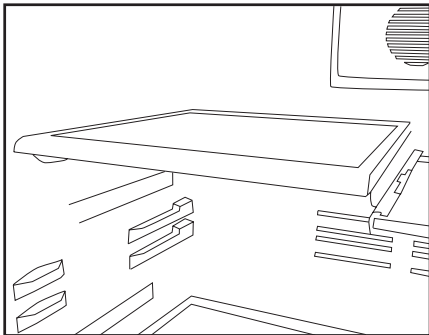
Μπλε φως

Τα τρόφιμα που έχουν αποθηκευτεί στα συρτάρια λαχανικών που φωτίζονται με μπλε φως συνεχίζουν τη φωτοσύνθεσή τους λόγω της επίδρασης του μήκους κύματος του μπλε φωτός και έτσι, διατηρούν τη φρεσκάδα τους και αυξάνεται το περιεχόμενο σε βιταμίνες.



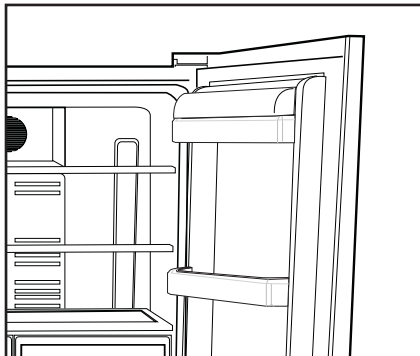
Συρόμενα ράφια θαλάμου με πίσω σύστημα ανάρτησης

Τα συρόμενα ράφια θαλάμου με πίσω σύστημα ανάρτησης μπορούν να κινηθούν προς τα εμπρός και πίσω. Μπορείτε να ρυθμίσετε το ύψος των ραφιών αυτών αφαιρώντας τα και τοποθετώντας τα σε υψηλότερη ή χαμηλότερη θέση. Για να αφαιρέσετε το ράφι, ανυψώστε το ελαφρά και τραβήξτε το προς το μέρος σας.



Τμήμα για βούτυρο & τυρί

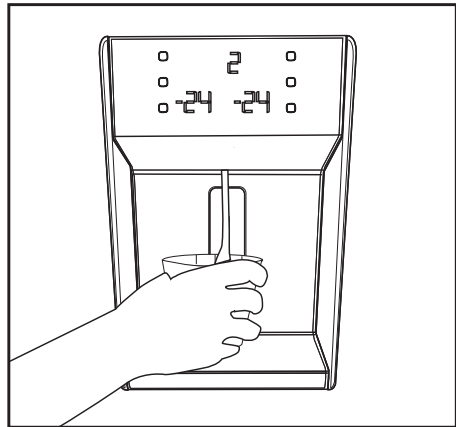
Τρόφιμα όπως βούτυρο, τυρί και μαργαρίνη αποθηκεύονται στο χώρο αυτόν που διαθέτει και κάλυμμα.



Χρήση του διανομέα νερού Προειδοποιήσεις

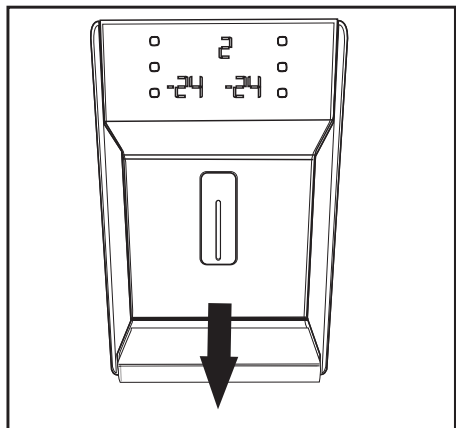
Είναι φυσιολογικό τα πρώτα λίγα ποτήρια νερού που θα πάρετε από το διανομέα να είναι ζεστό.

Σε περιπτώσεις όπου ο διανομέας νερού δεν χρησιμοποιείται συχνά, θα πρέπει να αδειάσετε επαρκή ποσότητα νερού από το διανομέα ώστε να έχετε φρέσκο νερό.



Δίσκος συλλογής σταγόνων

Οι σταγόνες νερού που πέφτουν κατά τη χρήση, συγκεντρώνονται στο δίσκο συλλογής σταγόνων. Μπορείτε να αφαιρέσετε το δίσκο συλλογής σταγόνων τραβώντας τον προς το μέρος σας ή πιέζοντας την άκρη του (ανάλογα με το μοντέλο). Μπορείτε να απομακρύνετε το νερό με σφουγγάρι ή μαλακό πανί.



Μίνι μπαρ

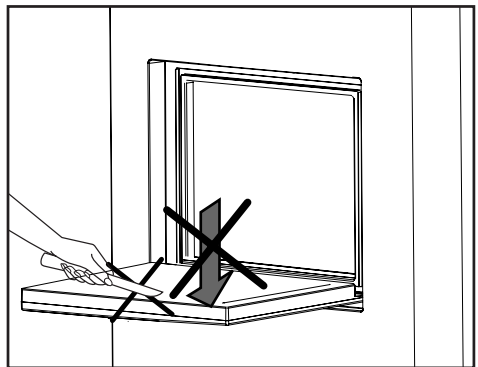
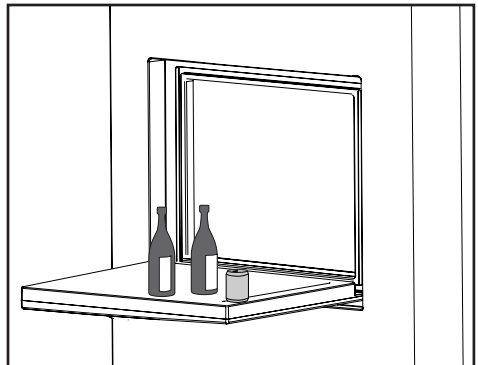
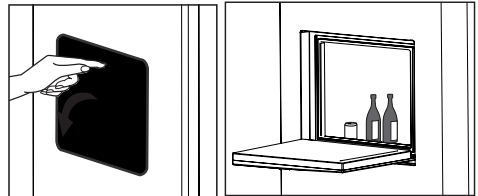
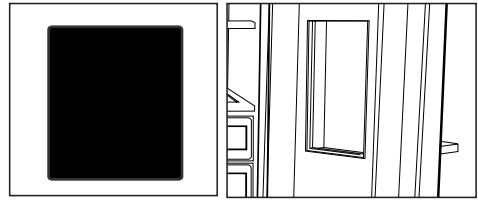
Η πόρτα του Μίνι μπαρ σας προσφέρει μεγαλύτερη ευκολία όταν χρησιμοποιείτε το ψυγείο σας. Μπορείτε να έχετε πρόσβαση στο ράφι πόρτας του ψυγείου χωρίς να ανοίξετε την πόρτα του. Χάρη σε αυτή τη δυνατότητα μπορείτε να πάρετε εύκολα από το ψυγείο τα τρόφιμα και τα ποτά που καταναλώνετε συχνά. Αφού δεν χρειάζεται να ανοίγετε συχνά την πόρτα του ψυγείου, θα έχετε μειωμένη κατανάλωση ρεύματος..

Για να ανοίξετε την πόρτα του Μίνι μπαρ, πιέστε με το χέρι σας και τραβήξτε για να ανοίξει.

Όταν ανοίξει η πόρτα του μίνι μπαρ, μπορείτε να χρησιμοποιήσετε την εσωτερική επιφάνεια του ψυγείου σαν τραπέζι όπου μπορείτε για λίγο να αφήσετε μπουκάλια και ποτήρια, όπως δείχνει το σχήμα.

⚠ Προσοχή: Ποτέ μην κάνετε κάτι που μπορεί να ασκήσει πίεση στην πόρτα, όπως το να καθίσετε, να σκαρφαλώσετε ή να κρεμαστείτε από το τραπέζι. Επίσης μην τοποθετείτε πάνω του βαριά αντικείμενα. Αυτές οι ενέργειες μπορούν να προκαλέσουν ζημιά στο ψυγείο ή και τραυματισμό ατόμων.

⚠ Προσοχή: Ποτέ μη χρησιμοποιήσετε την πόρτα του Μίνι μπαρ σαν επιφάνεια κοπής και προσέχετε να μην υποστεί η πόρτα ζημιά από αιχμηρά αντικείμενα.



6 Καθαρισμός και φροντίδα

- ⚠ Ποτέ μη χρησιμοποιήσετε βενζίνη, βενζόλιο ή παρόμοια υλικά για τον καθαρισμό.
- ⚠ Συνιστούμε να αποσυνδέετε τη συσκευή από την πρίζα πριν τον καθαρισμό.
- ⓘ Ποτέ μη χρησιμοποιείτε για τον καθαρισμό οποιοδήποτε αιχμηρό όργανο που χαράζει, σαπούνι, οικιακά καθαριστικά, απορρυπαντικά και γυαλιστικά κεριού.
- ⓘ Για να καθαρίσετε το περίβλημα του ψυγείου σας, χρησιμοποιήστε χλιαρό νερό και κατόπιν σκουπίστε το για να στεγνώσει.
- ⓘ Για να καθαρίσετε το εσωτερικό, χρησιμοποιήστε πανί που έχει υγρανθεί ελαφρά σε διάλυμα από μια κουταλιά του γλυκού μαγειρικής σόδας σε περίπου μισό λίτρο νερού. Κατόπιν σκουπίστε τις επιφάνειες για να στεγνώσουν.
- ⚠ Φροντίστε απαραίτητα να μην εισέλθει νερό στο περίβλημα της λάμπας και σε άλλα ηλεκτρικά εξαρτήματα.
- ⚠ Εάν το ψυγείο σας δεν πρόκειται να χρησιμοποιηθεί για μεγάλη χρονική περίοδο, αποσυνδέστε το καλώδιο ρεύματος από την πρίζα, αφαιρέστε όλα τα τρόφιμα, καθαρίστε το και αφήστε την πόρτα μισάνοιχτη.
- ⓘ Ελέγχετε τακτικά τις στεγανοποιήσεις στις πόρτες για να βεβαιωθείτε ότι είναι καθαρές και απαλλαγμένες από σωματίδια τροφίμων.
- ⓘ Για να αφαιρέσετε ένα ράφι πόρτας, αφαιρέστε όλα τα περιεχόμενα και κατόπιν απλά σπρώξτε το ράφι προς τα πάνω ώστε να βγει από τη βάση του.

Προστασία των πλαστικών επιφανειών

- ⓘ Μην τοποθετείτε υγρά λάδια ή φαγητά μαγειρεμένα σε λάδι στο ψυγείο σας σε μη σφραγισμένα δοχεία, επειδή προξενούν βλάβες στις πλαστικές επιφάνειες του ψυγείου σας. Σε περίπτωση που χυθεί ή αλειφτεί λάδι στις πλαστικές επιφάνειες, αμέσως καθαρίστε και ξεπλύνετε το επηρεαζόμενο μέρος της επιφάνειας με χλιαρό νερό.

7 Συνιστώ μενες λύσεις για προβλήματα

Παρακαλούμε συμβουλευτείτε τη λίστα πριν καλέσετε το σέρβις. Έτσι μπορείτε να εξοικονομήσετε χρόνο και χρήματα. Η λίστα αυτή περιλαμβάνει συχνά παράπονα που δεν είναι αποτέλεσμα ελαττωμάτων της κατασκευής ή των χρησιμοποιούμενων υλικών. Ορισμένες από τις δυνατότητες που περιγράφονται εδώ ίσως να μην υπάρχουν στη συσκευή σας.

Το ψυγείο δεν λειτουργεί.
<ul style="list-style-type: none">• Έχει συνδεθεί το ψυγείο σωστά στο ρεύμα; Συνδέστε το φις στην πρίζα στον τοίχο.• Μήπως έχει καεί η ασφάλεια της πρίζας στην οποία έχει συνδεθεί το ψυγείο ή η γενική ασφάλεια; Ελέγξτε την ασφάλεια.
Συμπύκνωση στα πλευρικά τοιχώματα του χώρου συντήρησης (Πολλαπλή Ζώνη, Έλεγχος Ψύξης και Ευέλικτη Ζώνη).
<ul style="list-style-type: none">• Πολύ χαμηλές θερμοκρασίες περιβάλλοντος. Συχνό άνοιγμα και κλείσιμο της πόρτας. Πολύ υψηλή υγρασία περιβάλλοντος. Αποθήκευση τροφίμων που περιέχουν υγρά σε ανοικτά δοχεία. Η πόρτα έχει ξεχαστεί μισάνοιχτη. Ρύθμιση του θερμοστάτη σε χαμηλότερη θερμοκρασία.• Μείωση του χρόνου που μένει ανοικτή η πόρτα ή λιγότερη συχνή χρήση της.• Κάλυψη με κατάλληλο υλικό του φαγητού που φυλάσσεται σε ανοικτά δοχεία.• Σκουπίστε τη συμπυκνωμένη υγρασία με στεγνό πανί και ελέγξτε αν επιμένει.
Ο συμπιεστής δεν λειτουργεί
<ul style="list-style-type: none">• Το προστατευτικό θερμικό του συμπιεστή θα ενεργοποιηθεί σε περίπτωση ξαφνικών διακοπών ρεύματος ή αν η συσκευή αποσυνδεθεί και συνδεθεί γρήγορα στο ρεύμα, όταν η πίεση του ψυκτικού μέσου στο σύστημα ψύξης του ψυγείου δεν έχει εξισορροπηθεί ακόμα. Η λειτουργία του ψυγείου σας θα αρχίσει πάλι μετά από 6 λεπτά. Παρακαλούμε καλέστε το σέρβις αν το ψυγείο σας δεν ξεκινήσει στο τέλος αυτού του χρονικού διαστήματος.• Το ψυγείο βρίσκεται στον κύκλο απόψυξης. Αυτό είναι κανονικό για ψυγείο που δεν διαθέτει απόλυτα αυτόματη απόψυξη. Ο κύκλος απόψυξης λαμβάνει χώρα περιοδικά.• Το ψυγείο δεν έχει συνδεθεί στην πρίζα. Βεβαιωθείτε ότι το φις έχει τοποθετηθεί σωστά στην πρίζα.• Έχουν γίνει σωστά οι ρυθμίσεις θερμοκρασίας;• Μπορεί να έχει διακοπεί το ρεύμα.

<p>Το ψυγείο ενεργοποιείται συχνά ή για πολλή ώρα.</p>
<ul style="list-style-type: none"> • Η νέα σας συσκευή μπορεί να είναι πλατύτερη από την προηγούμενη. Αυτό είναι πολύ φυσιολογικό. Τα μεγάλα ψυγεία λειτουργούν για μεγαλύτερο χρονικό διάστημα. • Η θερμοκρασία του περιβάλλοντος χώρου είναι πολύ υψηλή. Αυτό είναι πολύ φυσιολογικό. • Το ψυγείο ίσως συνδέθηκε στην πρίζα πρόσφατα ή μπορεί να έχει φορτωθεί με πολλά τρόφιμα. Η πλήρης ψύξη του ψυγείου σας στη θερμοκρασία λειτουργίας μπορεί να διαρκέσει δύο ώρες επιπλέον. • Μπορεί πρόσφατα να τοποθετήθηκαν στο ψυγείο μεγάλες ποσότητες ζεστού φαγητού. Το πολύ ζεστό φαγητό προκαλεί λειτουργία του ψυγείου για περισσότερη ώρα έως ότου φθάσει την επιθυμητή θερμοκρασία φύλαξης των τροφίμων. • Ίσως να ανοίγονταν συχνά οι πόρτες ή να παρέμειναν μισάνοιχτες για μεγάλο χρονικό διάστημα. Ο θερμός αέρας που έχει εισέλθει στο ψυγείο προκαλεί τη λειτουργία του ψυγείου για μεγαλύτερες χρονικές περιόδους. Ανοίγετε τις πόρτες λιγότερο συχνά. • Η πόρτα του χώρου κατάψυξης ή συντήρησης μπορεί να έχει ξεχαστεί μισάνοιχτη. Ελέγξτε αν οι πόρτες έχουν κλείσει καλά. • Το ψυγείο έχει ρυθμιστεί σε πολύ χαμηλή θερμοκρασία. Ρυθμίστε τη θερμοκρασία του ψυγείου σε υψηλότερο επίπεδο και περιμένετε έως ότου επιτευχθεί αυτή η θερμοκρασία. • Η στεγανοποίηση πόρτας της συντήρησης ή κατάψυξης μπορεί να είναι λερωμένη, φθαρμένη, σπασμένη ή δεν εφαρμόζει καλά. Καθαρίστε ή αντικαταστήστε τη στεγανοποίηση. Αν υπάρχει ζημιά/ σπάσιμο στη στεγανοποίηση της πόρτας, μπορεί να προκληθεί λειτουργία του ψυγείου για μεγαλύτερες περιόδους για να διατηρείται η τρέχουσα θερμοκρασία.
<p>Η θερμοκρασία της κατάψυξης είναι πολύ χαμηλή ενώ η θερμοκρασία της συντήρησης είναι επαρκής.</p>
<ul style="list-style-type: none"> • Η θερμοκρασία του χώρου κατάψυξης έχει ρυθμιστεί σε πολύ χαμηλό επίπεδο. Ρυθμίστε τη θερμοκρασία του χώρου κατάψυξης σε υψηλότερο επίπεδο και ελέγξτε.
<p>Η θερμοκρασία της συντήρησης είναι πολύ χαμηλή ενώ η θερμοκρασία της κατάψυξης είναι επαρκής.</p>
<ul style="list-style-type: none"> • Η θερμοκρασία του χώρου συντήρησης μπορεί να έχει ρυθμιστεί σε πολύ χαμηλό επίπεδο. Ρυθμίστε τη θερμοκρασία του χώρου συντήρησης σε υψηλότερο επίπεδο και ελέγξτε.
<p>Τα τρόφιμα στα συρτάρια της συντήρησης παγώνουν.</p>
<ul style="list-style-type: none"> • Η θερμοκρασία του χώρου συντήρησης μπορεί να έχει ρυθμιστεί σε πολύ χαμηλό επίπεδο. Ρυθμίστε τη θερμοκρασία του χώρου συντήρησης σε υψηλότερο επίπεδο και ελέγξτε.
<p>Η θερμοκρασία στη συντήρηση ή την κατάψυξη είναι πολύ υψηλή.</p>
<ul style="list-style-type: none"> • Η θερμοκρασία του χώρου συντήρησης μπορεί να έχει ρυθμιστεί σε πολύ υψηλό επίπεδο. Η ρύθμιση της συντήρησης έχει επίδραση στη θερμοκρασία της κατάψυξης. Αλλάξτε τη θερμοκρασία της συντήρησης ή κατάψυξης έως ότου η θερμοκρασία της συντήρησης ή κατάψυξης φθάσει σε επαρκές επίπεδο. • Ίσως να ανοίγονταν συχνά οι πόρτες ή να παρέμειναν μισάνοιχτες για μεγάλο χρονικό διάστημα. Ανοίγετέ τις λιγότερο συχνά. • Μπορεί να έχει παραμείνει πόρτα μισάνοιχτη. Κλείστε την πόρτα τελειώς. • Μπορεί πρόσφατα να τοποθετήθηκε στο ψυγείο μεγάλη ποσότητα ζεστού φαγητού. Περιμένετε έως ότου η συντήρηση ή η κατάψυξη φθάσει στην επιθυμητή θερμοκρασία. • Το ψυγείο μπορεί να έχει συνδεθεί στην πρίζα πρόσφατα. Η πλήρης ψύξη του ψυγείου απαιτεί χρόνο.

Ο θόρυβος λειτουργίας αυξάνεται όταν λειτουργεί το ψυγείο.

- Η απόδοση λειτουργίας του ψυγείου μπορεί να διαφέρει λόγω μεταβολών στη θερμοκρασία περιβάλλοντος. Το φαινόμενο είναι φυσιολογικό και δεν αποτελεί ένδειξη δυσλειτουργίας.

Κραδασμοί ή θόρυβος.

- Το δάπεδο δεν είναι ομαλό ή δεν είναι ανθεκτικό. Το ψυγείο ταλαντεύεται όταν μετακινηθεί ελαφρά. Βεβαιωθείτε ότι το δάπεδο είναι αρκετά ανθεκτικό να φέρει το βάρος του ψυγείου, και οριζόντιο.
- Ο θόρυβος μπορεί να προκαλείται από αντικείμενα που έχουν τοποθετηθεί πάνω στο ψυγείο. Αυτά τα είδη πρέπει να απομακρυνθούν από πάνω από το ψυγείο.

Υπάρχουν θόρυβοι από το ψυγείο σαν ροής ή ψεκασμού υγρού.

- Η ροή υγρών και αερίων είναι σύμφωνη με την αρχή λειτουργίας του ψυγείου σας. Το φαινόμενο είναι φυσιολογικό και δεν αποτελεί ένδειξη δυσλειτουργίας.

Υπάρχει θόρυβος σαν ανέμου που φυσά.

- Χρησιμοποιούνται ανεμιστήρες για την ψύξη του ψυγείου. Το φαινόμενο είναι φυσιολογικό και δεν αποτελεί ένδειξη δυσλειτουργίας.

Συμπύκνωση στα εσωτερικά τοιχώματα του ψυγείου.

- Ο ζεστός και υγρός καιρός αυξάνει το σχηματισμό πάγου και συμπύκνωσης. Το φαινόμενο είναι φυσιολογικό και δεν αποτελεί ένδειξη δυσλειτουργίας.
- Οι πόρτες μπορεί να έχουν παραμείνει μισάνοικτες. Βεβαιωθείτε ότι οι πόρτες είναι τελειώς κλειστές.
- Ίσως να ανοίγονταν συχνά οι πόρτες ή να παρέμειναν μισάνοικτες για μεγάλο χρονικό διάστημα. Ανοίγετέ τις λιγότερο συχνά.

Εμφανίζεται υγρασία στο εξωτερικό του ψυγείου ή ανάμεσα στις πόρτες.

- Ίσως να υπάρχει υγρασία στον αέρα. Αυτό είναι πολύ φυσιολογικό όταν ο καιρός είναι υγρός. Όταν η υγρασία είναι μικρότερη, η συμπύκνωση θα πάψει να εμφανίζεται.

Κακοσμία στο εσωτερικό του ψυγείου.

- Το εσωτερικό του ψυγείου πρέπει να καθαριστεί. Καθαρίστε το εσωτερικό του ψυγείου, με ένα σφουγγάρι, χλιαρό νερό ή διάλυμα μαγειρικής σόδας σε νερό.
- Ίσως η οσμή να προκαλείται από ορισμένα δοχεία ή υλικά συσκευασίας. Χρησιμοποιήστε διαφορετικό δοχείο ή διαφορετική μάρκα υλικού συσκευασίας.

Η πόρτα δεν κλείνει.

- Συσκευασίες τροφίμων ίσως να εμποδίζουν το κλείσιμο της πόρτας. Μετατοπίστε τις συσκευασίες που εμποδίζουν την πόρτα.
- Το ψυγείο πιθανόν να μην είναι εντελώς κατακόρυφο στο δάπεδο και μπορεί να ταλαντεύεται όταν σπρωχτεί ελαφρά. Ρυθμίστε τις βίδες ανύψωσης.
- Το δάπεδο δεν είναι επίπεδο ή δεν είναι ανθεκτικό. Βεβαιωθείτε ότι το δάπεδο είναι οριζόντιο και ικανό να φέρει το βάρος του ψυγείου.

Τα συρτάρια λαχανικών έχουν κολλήσει.

- Τα τρόφιμα μπορεί να αγγίζουν την οροφή του συρταριού. Ανακαταλείψτε τα τρόφιμα στο συρτάρι.

Моля първо да прочетете това ръководство!

Уважаеми клиенти,

Надяваме се, че вашият продукт, произведен в съвременни фабрики и проверен при най-стриктни процедури за контрол на качеството, ще ви осигури ефективна работа.

За целта, ви съветваме да прочетете внимателно цялото ръководство за употреба на продукта преди да го ползвате и да го държите под ръка за справки в бъдеще.




Това ръководство

- Ще ви помогне да използвате уреда по-най-бърз и безопасен начин.
- Прочетете ръководството преди монтаж и работа с продукта.
- Следвайте всички инструкции, особено тези за безопасност.
- Дръжте ръководството на лесно достъпно място, тъй като може да се нуждаете от него.
- Освен това, прочетете и другите листовки, доставени с продукта.

Обърнете внимание, че това ръководство може да важи и за други модели уреди.

Символи и техните описания

Това ръководство за употреба съдържа следните символи:

-  Важна информация или полезни съвети за употреба.
-  Предупреждения при опасност за живота или имуществото.
-  Предупреждения за електрическата мощност.



Този продукт носи символ за селективно сортиране за Изхвърляне на електрическо и електронно оборудване (WEEE).

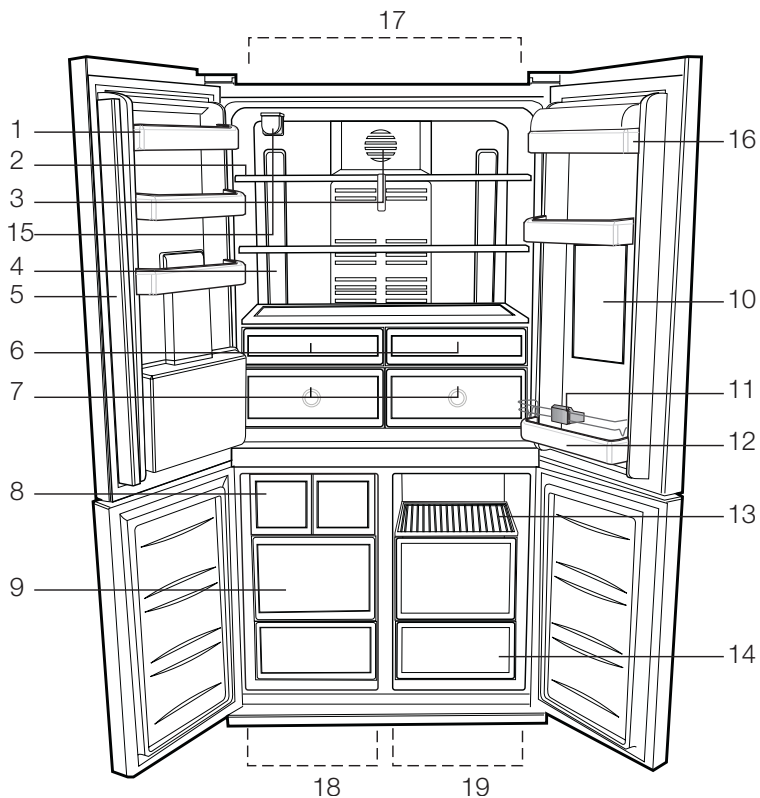
Това означава, че този продукт трябва да се изхвърли в съответствие с Европейската Директива 2002/96/ЕС, за да се рециклира или бъде разглобен с цел намаляване на влиянието върху околната среда. За допълнителна информация се обърнете към местните и регионални власти.

Електронните продукти, които не бъдат включени в процеса на селективно сортиране, са потенциално опасни за околната среда и човешкото здраве поради съдържанието на рискови вещества.

СЪДЪРЖАНИЕ

1 Хладилникът	3	4 Подготовка	17
2 Важни предупреждения относно безопасността	4	5 Използване на хладилника	18
Употреба на уреда.....	4	Индикаторен панел.....	18
За продукт с воден разпределител;	6	Предупреждение за отворена врата: 21	
Защита от деца.....	6	Какво да направите за да бъде изчислен срокът за ползване на филтъра автоматично.....	22
НСА предупреждение.....	6	Плъзгащи се рафтове.....	23
Неща, които да направите с цел пестене на енергия.....	7	Тава за яйца.....	23
3 Монтаж	8	Контейнер за запазване на свежестта.....	23
На какво да обърнете внимание при повторно транспортиране на хладилника.....	8	Отделение за охлаждане.....	23
Преди да започнете работа с хладилника.....	8	Отделение за съхранение Flexi Zone.....	24
Електрическо свързване.....	9	Подвижна средна част.....	24
Изхвърляне на опаковъчните материали.....	9	Синя лампа.....	24
Изхвърляне на стария ви хладилник.....	9	Плъзгащи се рафтове със задно окачване.....	25
Поставяне ни монтиране.....	9	Отделение за масло и сирене.....	25
Нивелиране върху пода.....	10	Използване на течащата вода.....	25
Регулиране на разликата между горната врата.....	10	Поставка за разлята вода.....	25
Монтиране на водния филтър.....	12	Минибар.....	26
Свързване на водната тръба към хладилника.....	12	6 Почистване и поддръжка	27
Свързване на водния маркуч към каната.....	13	Предпазване на пластмасовите повърхности.....	27
Свързване на водната тръба към студената вода.....	14	7 Възможни решения на възникнали проблеми	28
Преди първа употреба на воден диспенсер.....	16		

1 Хладилникът



- | | |
|---|--|
| 1- Рафтове на вратата на хладилното отделение | 10- Минибар |
| 2- Стъклени рафтове на хладилното отделение | 11- Поставка за бутилки |
| 3- Капак на дифузера | 12- Рафт за бутилки |
| 4- Осветителни лещи | 13- Отделение с рафтове за съхранение на храна |
| 5- Подвижна средна част | 14- Отделения за съхранение на храна |
| 6- Отделение за охлаждане | 15- Воден филтър |
| 7- Контейнер за запазване на свежестта | 16- Рафт за масло и сирене |
| 8- Icematic | 17- Хладилно отделение |
| 9- Отделения за съхранение на замразени храни | 18- Фризерно отделение |
| | 19- Флекси зона |

ⓘ Фигурите в настоящето ръководство за употреба са схематични и може да не отговарят точно на вашия уред. Ако споменатите части липсват във вашия уред, то те важат за други модели.

2 Важни предупреждения относно

Безопасността

Моля, прегледайте следната информация. Неспазването на тази информация може да доведе до наранявания или материални щети. В противен случай всякаква гаранция и отговорност стават невалидни.

Сервизният живот на закупеният от вас продукт е 10 години. Това е периода, в който се пазят резервните части за продукта, за да може той да работи както е описано.

Употреба на уреда

Този продукт е предназначен за употреба

- в закрити помещения и зони, като например вкъщи;
 - в затворена работна среда като например магазин и офиси;
 - в затворени сгради за настаняване на хора, като например вили, хотели, пансиони.
- Този продукт не бива да се използва навън.

Обща безопасност

- Когато решите да изхвърлите продукта, препоръчваме да се консултирате с оторизирания сервиз за да получите нужната информация за това, както и с оторизираните власти.
- Консултирайте се с оторизирания сервиз по всякакви въпроси и проблеми, свързани с хладилника. Не се опитвайте да поправяте сами или да позволявате друг да прави това без да предупредите оторизирания сервиз.
- За продукти с фризерно отделение; Не яжте сладолед или кубчета лед веднага след като ги извадите от фризерното отделение! (Това може да доведе до измръзване в устата ви.)

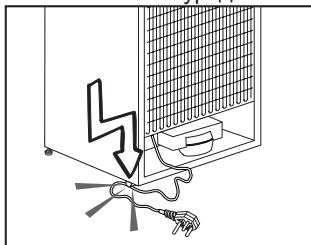
- За продукти с фризерно отделение; Не поставяйте бутилирани или консервирани течности във фризерното отделение. В противен случай те може да се пръснат.
- Не пипайте замразената храна с ръце; тя може да се залепи за ръката ви.
- Изключете хладилника от контакта преди почистване или размразяване.
- Не бива никога да използвате пара и парни почистващи материали при почистването и разлеждането на хладилника. Парата може да влезе в контакт с електрическите части и да предизвика късо съединение или токов удар.
- Никога не използвайте частите на хладилника, като например вратата за подпора или за стъпване.
- Не използвайте електрически уреди вътре в хладилника.
- Не повреждайте частите, където циркулира охладителя с пробивни или режещи инструменти. Евентуалното изтичане на охладител при пробиване на каналите на изпарителя, удълженията на тръбата или покритието върху повърхността може да предизвика раздразнения на кожата или нараняване на очите.
- Не покривайте и не блокирайте с предмети вентилационните отвори на хладилника.
- Електрическите устройства трябва да се ремонтират само от оторизирани лица. Ремонтът, извършен от некомпетентно лице може да създаде риск за потребителя.
- В случай на каквато и да е повреда или по време на поддръжка и ремонт, изключете хладилника от ел. захранване като изключите съответния бушон или извадите щепсела от контакта.
- Не дърпайте за кабела когато искате да извадите щепсела от контакта.
- Високоградусови спиртни напитки

трябва да се поставят в хладилника само вертикално и плътно затворени.

- Никога не съхранявайте спрейове съдържащи възпламеними или експлозивни вещества в хладилника.
- Не използвайте механични устройства или други средства, за да ускорите процеса на размразяване, освен посочените от производителя.
- Този уред не е предназначен за употреба от лица с физически, сензорни или умствени разстройства или лица без опит и познания (включително деца), освен ако те не са наблюдавани или инструктирани относно употребата на уреда от отговорно за безопасността им лице.
- Не използвайте хладилника ако е повреден. Ако имате някакви съмнения, се обърнете към сервизния агент.
- Електрическата безопасност на хладилника е гарантирана само ако заземяването на ел. инсталация в дома ви отговаря на съответните стандарти.
- Излагането на продукта на дъжд, сняг, слънце и вятър представлява опасност от електрическа гледна точка.
- Свържете се с оторизирания сервиз при повреда в захранващия кабел за да избегнете всякакъв риск.
- Никога не включвайте хладилника в контакта по време на инсталация. В противен случай съществува риск за живота или от сериозно нараняване.
- Тзи хладилник е предназначен само за съхранение на хранителни продукти. Той не бива да се ползва за никакви други цели.
- Етикетът с технически спецификации е разположен върху лявата вътрешна стена на хладилника.
- Никога не свързвайте хладилника с енергоспестяващи системи; те могат да повредят хладилника.
- Ако на хладилника има синя

светлина, не разглеждайте синята светлина с оптически устройства.

- За ръчно контролирани хладилници, изчакайте поне 5 минути за да рестартирате хладилника след прекъсване в захранването.
- Това упътване за употреба трябва да се предаде на новия собственик ако уредът бъде продаден на други лица.
- Внимавайте да не повредите захранващия кабел при транспортирането на хладилника. Огъването на кабела може да доведе до пожар. Никога не поставяйте тежки предмети върху захранващия кабел. Не пипайте щепсела с мокри ръце когато включвате уреда в контакта.



- Не включвайте хладилника в разхлабени контакти.
- По причини на безопасността по външността или вътрешността на уреда не бива да се пръска директно вода.
- Не пръскайте субстанции, съдържащи възпламеними газове от рода на пропан газ в близост до хладилника за да избегнете риска от пожар и експлозия.
- Никга не поставяйте съдове, пълни с вода върху хладилника, тъй като това може да доведе до токов удар или пожар.
- Не препълвайте хладилника с прекомерно количество храна. Ако е препълнен, хранителните продукти може да паднат и да ви наранят или да повредят хладилника при отваряне на вратата. Никога не поставяйте предмети върху хладилника; в противен случай те може да изпаднат при отварянето и

- затварянет на вратата на хладилника.
- Тъй като се нуждаят от точно определена температура на съхранение (ваксини, температурно-зависими лекарства, научни материали, и др.) не бива да се държат в хладилника.
- Ако не бъде използван дълго време, хладилникът трябва да бъде изключен от контакта. Възможно е неизправност в захранващия кабел да доведе до пожар.
- Накрайникът на щепсела трябва да бъде редовно почистван за да се избегне риска от пожар.
- Накрайникът на щепсела трябва да бъде редовно почистван със сух парцал за да се избегне риска от пожар.
- Хладилникът може да мърда ако регулируемите крачета не са стабилно закрепени на пода. Стабилното закрепване на регулируемите крачета на пода може да предпази хладилника от мърдане.
- При преместването на хладилника, не го хващайте за дръжката на вратата. В противен случай тя може да се откъсне.
- Ако се налага да поставите уреда до друг хладилник или фризер, разстоянието между двата уреда трябва да е поне 8см. В противен случай прилежащите странични стени може да се навлажнят.

За продукт с воден разпределител;

Налягането на водата трябва да е поне 1 бар. Налягането на водата трябва да е под 8 бара.

- Използвайте само питейна вода.

Защита от деца

- Ако на вратата е поставена ключалка, ключът трябва да се държи далеч от достъпа на деца.
- Децата трябва да бъдат надзиравани за да се избегне играене с уреда.

НСА предупреждение

Ак охлаждащата система на уреда ви съдържа R600a:

Този газ е запалим. Затова внимавайте да не повредите охладителната система и тръбите при употреба и транспорт. В случай на повреда, дръжте продукта далеч от потенциални източници на огън, което може да доведе до подпалването на уреда и проветрявайте стаята, където се намира той.

Не взимайте предвид това предупреждение ако охладителната ви система съдържа R134a.

Типът газ, използван в продукта, е обозначен на страничната табелка с данни върху вътрешната лява страна на хладилника.

Никога не изхвърляйте уреда в огън.

Неща, които да направите с цел пестене на енергия

- Не оставяйте вратите на хладилника отворени за дълго.
- Не прибирайте горещи храни и напитки в хладилника.
- Не препълвайте хладилника за да не се затруднява въздушната циркулация вътре в него.
- Не инсталирайте хладилника под пряка слънчева светлина или в близост до уреди, излъчващи топлина, като фурни, съдомиялни машини или радиатори.
- Дръжте храната в затворени контейнери.
- За уреди с фризерно отделение; Можете да съхранявате максимално количество хранителни продукти ако свалите рафта или чекмеджето на хладилника. Стойността на енергийната консумация, посочена върху хладилника, е измерена при свален рафт или чекмедже на фризера и при максимално зареждане. Няма никаква опасност да използвате рафт или чекмедже в зависимост от формата и размера на хранителните продукти които замразявате.
- Разлеждането на замразена храна в хладилника ще осигури както пестене на енергия, така и ще запази качеството на хранителните продукти.

3 Монтаж

- i** Помнете, че производителят не носи отговорност, в случай, че предоставената в ръководството за употреба информация не се спазва.

На какво да обърнете внимание при повторно транспортиране на хладилника

1. Хладилникът трябва да се изпразни и почисти преди всяко транспортиране.
2. Рафтовете, аксесоарите, контейнера за запазване свежестта и др. в хладилника трябва да се залепят добре с изолирбанд срещу другането при пренасяне.
3. Опаковката трябва да се обиколи с дебело тиксо и здрави въжета и правилата за транспортиране, напечатани върху опаковката, да се спазват.

i Винаги помнете...

Всеки рециклиран продукт е от ползва за природата и националните ресурси.

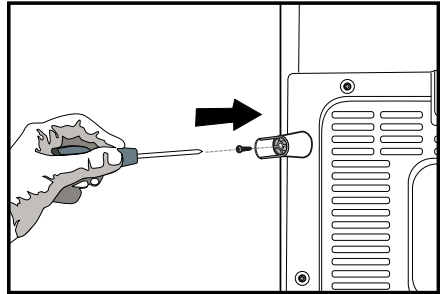
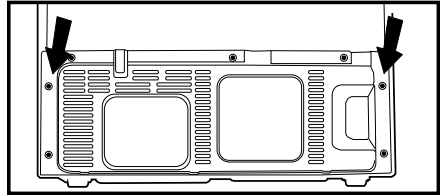
Ако искате да допринесете за рециклирането на опаковъчните материали, може да получите информация за това от местните власти и органи за опазване на околната среда.

Преди да започнете работа с хладилника

Преди да започнете употреба на хладилника, моля поверете следното:

1. Вътрешността на хладилника суха ли е и може ли въздухът да циркулира свободно в задната му част?
2. Поставете 2-те пластмасови клинчета на капака на задната вентилация, следвайки фигурата по-долу. За да направите това, премахнете винтовете на продукта и използвайте винтовете, които са в същата торбичка.

Пластмасовите клинове осигуряват нужната дистанция между хладилника и стената, така че да се осигури циркулация на въздух.



3. Почистете вътрешността на хладилника, както е препоръчано в раздел "Поддръжка и почистване".
4. Включете хладилника в контакта. При отваряне на вратата вътрешната лампичка светва.
5. Ще чуете шум, когато компресорът започне да работи. Нормално е течността и газовете в охладителната система да издават шум, дори компресорът да не работи.
6. Предните ъгли на хладилника може да са топли на пипане. Това е нормално. Тези части са проектирани да бъдат топли с цел избягване на кондензацията.

Електрическо свързване

Свържете хладилника към заземен контакт, който се предпазва от бушон с подходящ капацитет.

Важно:

- ⚠ Свързването трябва да бъде направено в съответствие с наредбите в страната.
- ⚠ Щепселът трябва да е лесно достъпен след монтажа.
- ⚠ Мощността и допустимата защита на бушона са указани в раздел “Технически спецификации”.
- ⚠ Посочената мощност трябва да отговаря на мощността на вашето захранване.
- ⚠ При свързването не бива да се ползват удължители и разклонители.
- ⚠ Ако кабелът е повреден, той трябва да се замени от квалифициран техник.
- ⚠ Уредът не бива да се ползва преди той да бъде поправен! Съществува опасност от токов удар!

Изхвърляне на опаковъчните материали

- ⚠ Опаковъчните материали може да представляват опасност за децата. Дръжте опаковъчните материали далеч от достъпа на деца или ги изхвърлете отделно, в съответствие с указанията за изхвърляне на отпадъци. Не ги изхвърляйте заедно с другите битови отпадъци.

Опаковката на вашия хладилник е изработена от рециклируеми материали.

Изхвърляне на стария ви хладилник.

Изхвърлете стария си уред така, че да не навредите на околната среда.

- ⚠ Може да се консултирате с оторизирания търговец или центъра за събиране на отпадъци във вашата община относно изхвърлянето на хладилника ви.

- ⚠ Преди да изхвърлите хладилника ви, отрежете кабела и, ако вратата е със заключалки, ги направете неизползваеми, така, че да предпазите децата от всякакви евентуални рискове.

Поставяне ни монтиране

- ⚠ Внимание: Никога не включвайте хладилника в контакта по време на инсталация. В противен случай съществува риск за живота или от сериозно нараняване.

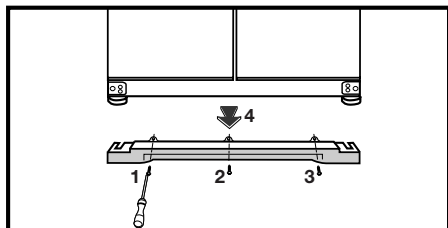
- ⚠ Ако вратата на стаята, където ще инсталирате хладилника, не е достатъчно широка за да мине през нея хладилника, се обадете в оторизирания сервиз за да свалят вратите на хладилника и го вкарайте странично през вратата.

1. Инсталирайте хладилника на място, където може лесно да се ползва.
2. Дръжте хладилника далеч от топлинни източници, задушни места и пряка слънчева светлина.
3. Трябва да осигурите добра вентилация около хладилника за да може той да работи ефективно. Ако ще монтирате хладилника в ниша в стената, трябва да има поне 5 см разстояние от тавана и стената. Ако подът е покрит с килим, уредът трябва да се повдигне на 2.5 см от пода.
4. Поставете хладилника върху равна подова повърхност за да се избегне клатене на уреда.
5. Не дръжте хладилника при външна температура под 10°C.

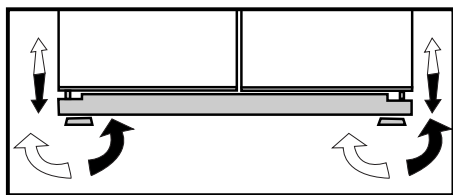
Нивелиране върху пода

⚠ Ако хладилникът ви не е балансиран;

⚠ Най-напред изключете уреда от контакта. При нивелирането на уреда, той трябва да е изключен от контакта. Съществува опасност от токов удар.



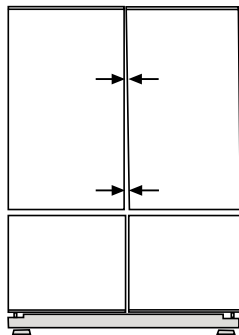
1. Капакът на вентилацията се отстранява чрез отвъртане на винтовете, както е показано на фигурата преди процедурата. Може да балансирате хладилника като завъртите предните крачета както е показано на илюстрацията. Ъгълът, където е крака се понижава при завъртане по посока на черната стрелка и се увеличава при завъртане в обратната посока. Процесът се улеснява ако някой ви помогне като повдигне леко хладилника.



2. След като проблемът с баланса е отстранен, инсталирайте обратно капака на вентилацията и затегнете винтовете.

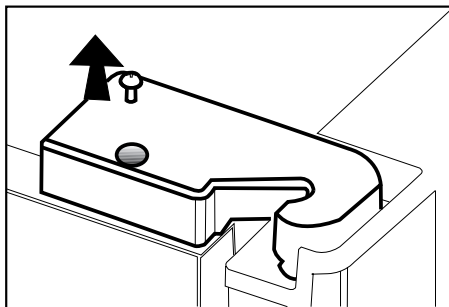
3. Отстранете винтовете закрепващи долния капак на вентилацията, с помощта на отвертка Philips.

Регулиране на разликата между горната врата

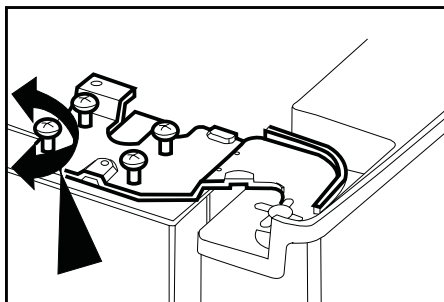


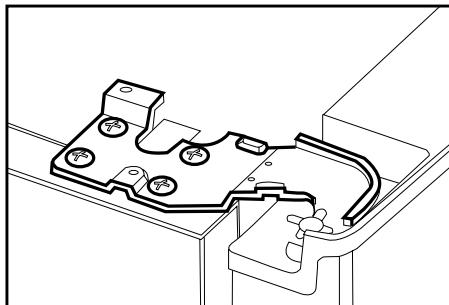
ⓘ Можете да регулирате разликата между вратите на хладилното отделение по начина, указан на фигурите.

Рафтовете на вратата трябва да са празни, когато регулирате височината на вратата.

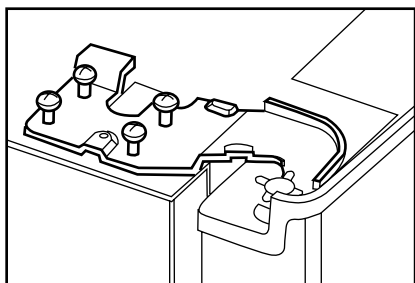


ⓘ С помощта на отвертка, премахнете винтовете от капака на горната панта на вратата, която искате да регулирате.

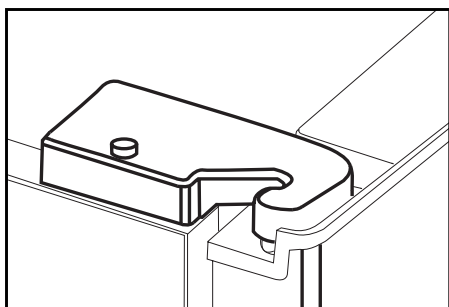




i Регулирайте вратата, по желаня от вас начин чрез разхлабване на винтовете.



i Закрепете вратата която сте регулирали като затегнете винтовете без да променяте положението на вратата.



i Поставете отново пантата на капака и фиксирайте с винта.

Монтиране на водния филтър

(при някои модели)

За да се осигури водното захранване, към хладилника могат да се свържат два различни източника на вода: студена вода от канализацията и вода в кана.

Инсталационни изисквания

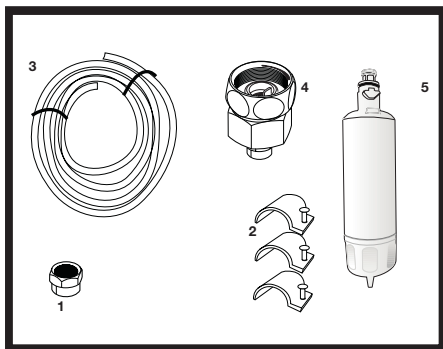
Помпата се използва за каната с вода.

Проверете дали частите, споменати по-долу са доставени с уреда ви.

1. Муфа за свързване на водната тръба отзад на уреда (Ако не пасва, се снабдете с подходяща от най-близкия оторизиран сервиз.)
2. 2 броя закопчалки за тръбата (в случай, че са необходими за обезопасяване на тръбата)

Забележка: Тъй като гореспомнатите части не са необходими за използването на каната, може да ги няма с доставения уред.

3. 5-метрова водна тръба (диаметър 1/4")
4. Клапа за свързване към студената вода с мрежов филтър (адаптор за кран)
5. Воден филтър или външно свързваем филтър, който се монтира в скобата вътре в хладилното отделение



Мястото, където ще бъде монтиран външния филтър, трябва да се определи най-напред. (Ако филтърът ще се ползва отвън на хладилника.) След това определете разстоянието между филтъра и хладилника и дължината на маркуча който е необходим от филтъра до входа за вода на хладилника.

Водният филтър трябва да се държи изправен както е показано на фигурата. Филтърът трябва да се закачи внимателно в точките на влизане и излизане на водата.

След като прикрепите филтъра, не използвайте първите 3-4 чаши вода.

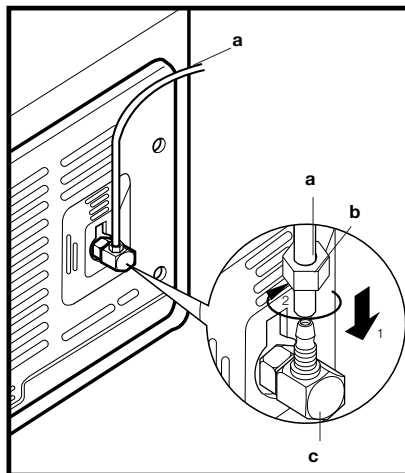
Свързване на водната тръба към хладилника

1. След като монтирате муфата върху водната тръба, вкарайте водната тръба в отвора на хладилника като натиснете добре надолу.

2. Вкарайте муфата както е показано на отсрещната фигура, като натискате с ръка върху входната клапа на хладилника.

(а- водна тръба, б-муфа, с- клапан)

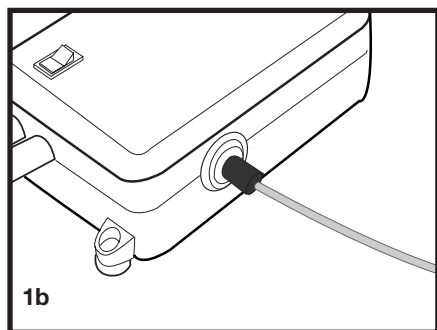
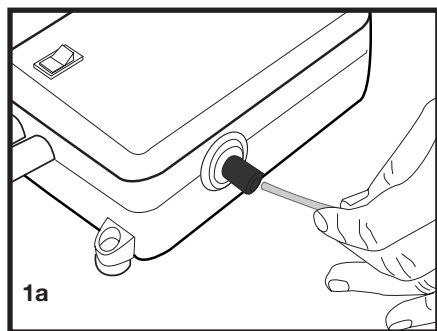
i Забележка 1: Не би трябвало да се нуждаете от уред за затягане на муфата за да постигнете стабилно свързване. В случай на протичане, използвайте гаечен ключ или клещи за да затегнете муфата.



Свързване на водния маркуч към каната (при някои модели)

За да свържете водата от каната към хладилника, се нуждаете от помпа. След като свържете единия край на водната тръба, излизаща от помпата към хладилника по начина, описан в предната страница, следвайте инструкциите.

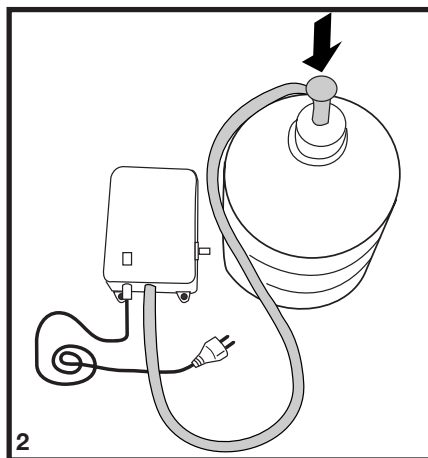
1. Приклучете вързването като натиснете другия край на водната тръба към водния вход на помпата, както е показано на фигурата.



2. Поставете и закрепете маркуча на помпата в каната, по начина показан на фигурата.
3. След като приклучите свързването, включете и задвижете помпата.

За да осигурите ползотворната работа на помпата, изчакайте 2-3 минути след като я задвижите.

- i** При свързването на водата се обърнете към ръководството за употреба.
- i** Ако използвате кана, не е необходим воден филтър.
- i** Когато използвате кана е необходима помпа.



Свързване на водната тръба към студената вода (при някои модели)

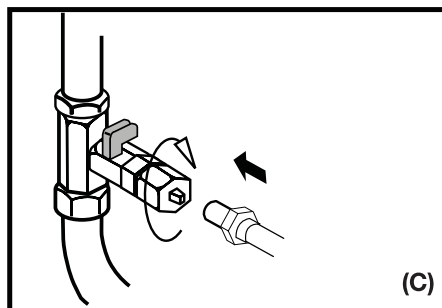
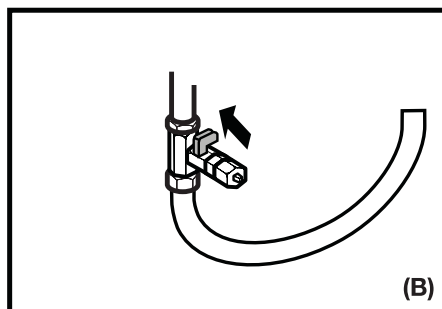
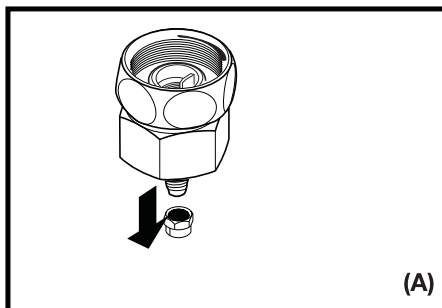
Ако искате да използвате хладилника си, свързан към водопровода, трябва да свържете стандартен 1/2" клапанов фитинг към водопровода у дома. Ако такава клапан липсва или не сте сигурни какво е нужно, консултирайте се с квалифициран водопроводчик.

1. Отделете муфата от адаптора за крана. (Фиг. А)
2. Поставете адаптора на крана към 1/2" клапанов фитинг, както е показано на фигурата. (Фиг. В)
3. След като поставите водната тръба към муфата, я монтирайте към адаптора на крана и вмъкнете към крана, по показания начин. (Фиг.С)
4. Затегнете муфата ръчно. В случай на протичане, използвайте гаечен ключ или клещи за да затегнете муфата.

⚠ Внимание: Закрепете водната тръба на подходящи места с доставените закопчалки за да избегнете повреда, разместване или случайно разкачане на тръбата.

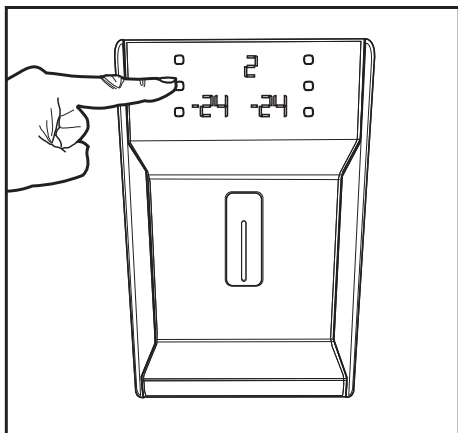
⚠ Внимание: След като включите водната клапа, проверете да няма изтичане и в двете точки на свързване на тръбата. В случай на изтичане, незабавно изключете клапата и затегнете свързките отново с помощта на гаечен ключ или клещи.

⚠ Внимание: Проверете дали е наличен стандартен 1/2" клапанов фитинг за свързване с водопровода и дали той е напълно затворен.

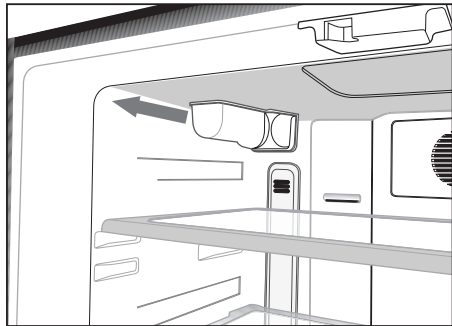


За да монтирате водния филтър следвайте долните инструкции, заедно с представените илюстрации:

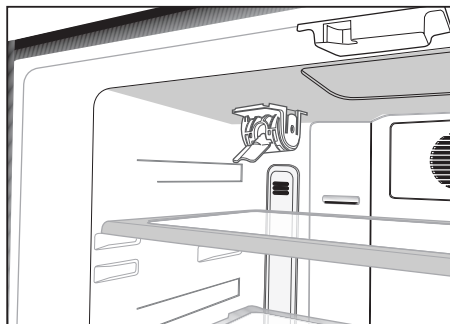
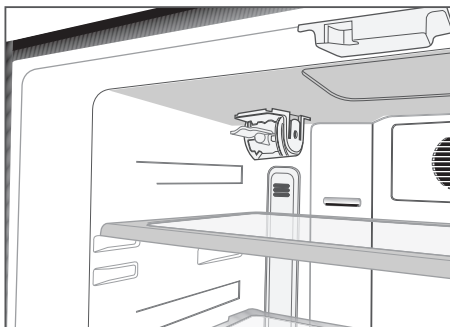
1. Натиснете бутон отказ на дисплея.



2. Махнете капака на филтъра във хладилното отделение чрез издърпване напред.



3. Извадете външния капак на водния филтър, чрез завъртане надолу.



⚠ Внимание: Режим "Ice off" трябва да е активен при свалянето на външния капак.

Забележка: Нормално е да се стекат няколко капки вода при свалянето на капака.

4. Махнете капака отгоре на водния филтър, за да го поставите, както е показано на фигурата и го обърнете нагоре за да го заключите.
5. Натиснете отново бутон отказ лед върху дисплея, за да излезете от този режим.

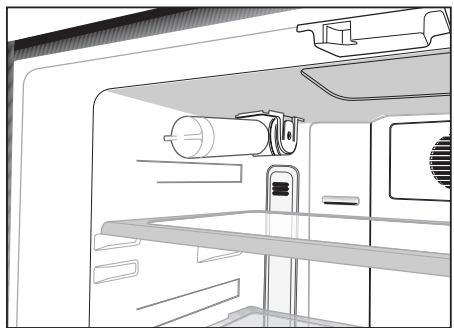
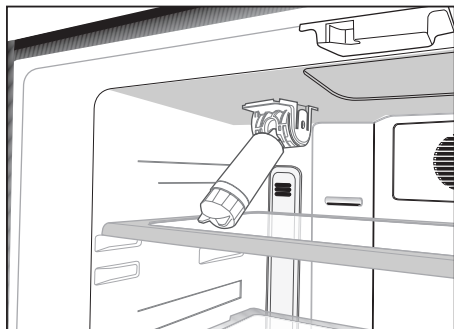
Водният филтър трябва да се подменя на всеки 6 месеца.

Ако желаете времето за смяна на филтъра да бъде изчислено автоматично и да се появи съобщение в края на периода за ползване, моля прочетете раздел "Автоматично изчисляване на продължителността на употреба на филтъра".

При подмяна или когато няма да се ползва повече, водният филтър трябва да се премахне както е показано на фигурата, а външният капак трябва да се прикачи. Преди да го извадите, трябва да се уверите, че режим Ice Off е активен.

⚠ Внимание: Водният филтър пречиства чужди тела във водата. Той не пречиства водата от микроорганизми.

⚠ Внимание: Бутон Ice off трябва винаги да е натиснат при подмяна на водния филтър или монтиране на външен капак.



Преди първа употреба на воден диспенсер

ⓘ Водното налягане не трябва да е под 1 бар.

ⓘ Водното налягане не трябва да е под 8 бара.

ⓘ Трябва да използвате помпа в случай, че водното налягане е под 1 бар или ползвате кана.

ⓘ Водната система на хладилника трябва да се свърже със студената вода. Не бива да свързвате с топлата вода.

ⓘ При първоначалното включване на хладилника не може да се изкара вода. Това е по причина на въздуха в системата. За да изкарате този въздух, натиснете резето на разделителя за периоди от по 1 минута докато от разделителя потече вода. В началото водната струя може да е накъсана. Тя се нормализира след като се изкара всичкия въздух от системата.

ⓘ При първоначалното включване на хладилника, трябва да минат 12 часа преди да използвате студената вода.

ⓘ Водното налягане трябва да е между 1-8 бара за правилното функциониране надиспенсера за лед/вода. За целта, проверете дали 1 чаша вода (100 куб. см) се пълни за 10 секунди.

ⓘ Първите 10 чаши вода не бива да се пият.

ⓘ Първите около 30 кубчета лед, получени от диспенсера не бива да се ползват.

ⓘ Когато не ползвате каната, винаги използвайте воден филтър.

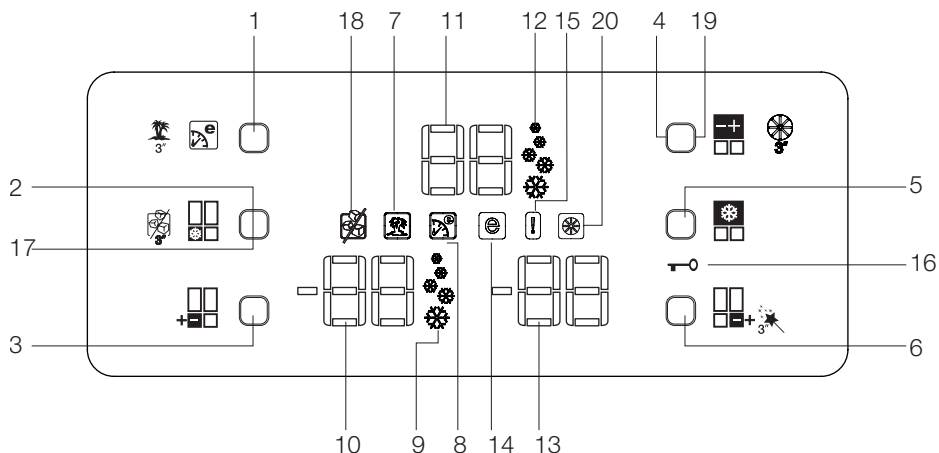
4 Подготовка

- i** Хладилникът ви трябва да се инсталира поне на 30 см разстояние от топлинни източници като котлони, фурни, централно парно, на поне 5 см от електрически печки и не трябва да се излага на пряка слънчева светлина.
- i** Температурата в стаята, където ще инсталирате хладилника, трябва да е поне 10°C. Употребата на хладилника при по-студени условия не е препоръчителна, тъй като това се отразява на ефективността му.
- i** Проверете дали вътрешността на хладилника е почистена изцяло.
- i** Ако два хладилника се инсталират един до друг, трябва да има поне 2 см разстояние помежду им.
- i** Когато използвате хладилника за първи път, следвайте следните указания през първите шест часа.
 - Вратата не бива да се отваря често.
 - Хладилникът трябва да работи празен, без храна в него.
 - Не изключвайте хладилника от щепсела. Ако има прекъсване на захранването, което не можете да контролирате, моля прочетете предупрежденията в раздел “Възможни решения на възникнали проблеми”.
- i** Оригиналната опаковка и изолиращи материали трябва да се запазят за бъдещо транспортиране или преместване.

5 Използване на хладилника

Индикаторен панел

Индикаторният панел с тъч контрол позволява настройването на температурата без да отваряте вратата на хладилника си. Просто докоснете съответния бутон с пръст за да настроите температурата.



1. Eco Extra/Ваканционен бутон
2. Бутон бързо замразяване
3. Бутон за температурната настройка във фризерното отделение
4. Бутон за температурната настройка във хладилното отделение
5. Бутон бързо охлаждане
6. Бутон за настройване на температурата в отделение Flexi Zone
7. Индикатор ваканционна функция
8. Индикатор за функция Eco Extra
9. Индикатор на функция бързо замразяване
10. Индикатор на температурата във фризерното отделение
11. Индикатор на температурата във хладилното отделение
12. Индикатор на функция бързо охлаждане
13. Индикатор на температурата в отделението за съхранение Flexi Zone
14. Индикатор икономичен режим
15. Индикатор грешки
16. Индикатор за заключване на копчетата
17. Бутон отказ лед
18. Индикатор за изключено образуване на лед
19. Бутон за отказ от предупреждението за смяна на филтъра
20. Предупредителен индикатор за смяна на филтъра

1. Есо Extra/Ваканционен бутон

Натиснете за кратко този бутон за да активирате функция Есо Extra. Натиснете и задръжте бутона за 3 секунди за да активирате функция ваканция. За да деактивирате избраната функция натиснете бутона повторно.

2. Бутон бързо замразяване

Натиснете за кратко този бутон, за да активирате функция бързо замразяване. За да деактивирате избраната функция натиснете бутона повторно.

3. Бутон за температурната настройка във фризерното отделение

Натиснете този бутон за да настроите температурата във фризерното отделение съответно на -18, -20, -22, -24, -18... Натиснете бутона за да настроите желаната температура във фризерното отделение.

4. Бутон за температурната настройка във хладилното отделение

Натиснете този бутон за да настроите температурата в хладилното отделение съответно на 8, 6, 4, 2, 8... Натиснете бутона за да настроите желаната температура във хладилното отделение.

5. Бутон бързо охлаждане

Натиснете за кратко този бутон, за да активирате функция бързо охлаждане. За да деактивирате избраната функция натиснете бутона повторно.

6. Бутон за настройване на температурата в отделение Flexi Zone

Можете да настройвате отделението Flexi Zone като фризер или като хладилник. Натиснете и задръжте

бутона продължително (3 сек.) за да настроите отделението Flexi Zone като фризер или хладилник. Това отделение е фабрично настроено като фризерно отделение.

Ако отделението Flexi Zone е настроено като фризер, тогава температурата в него съответно ще се променя -18, -20, -22, -24, -18... всеки път когато натискате бутона. Ако отделението Flexi Zone е настроено като хладилник, тогава температурата в него съответно ще се променя 10, 8, 6, 4, 2, 0, -6, ..всеки път когато натискате бутона.

7. Индикатор ваканционна функция

Показва, че функция ваканция е активирана. Ако функцията е активна, "- -" се появява на индикатора на хладилното отделение и хладилното отделение не се охлажда. Другите отделения ще се охлаждат според зададената им температура.

За да деактивирате тази функция натиснете съответния бутон повторно.

8. Индикатор за функция Есо Extra

Показва, че функция Есо-Extra е активна. Ако функцията е активна, хладилникът ви автоматично ще засече периодите на най-слаба употреба и по това време ще извършва енергийно-ефективно охлаждане. Индикаторът за икономия ще е активен докато има енерго-ефективно охлаждане.

За да деактивирате тази функция натиснете съответния бутон повторно.

9. Индикатор на функция бързо замразяване

Показва, че функция бързо замразяване е активна. Използвайте тази функция когато поставяте свежа храна във фризерното отделение или когато се нуждаете от лед. Когато тази функция е активна, хладилникът ви ще работи опеределен период от време.

За да деактивирате тази функция натиснете съответния бутон повторно.

10. Индикатор на температурата във фризерното отделение

Отчита температурната настройка във фризерното отделение.

11. Индикатор на температурата във хладилното отделение

Отчита температурната настройка за хладилното отделение.

12. Индикатор на функция бързо охлаждане

Показва, че функция бързо охлаждане е активна. Използвайте тази функция когато поставяте свежа храна във хладилното отделение или когато искате бързо да охладите храна. Когато тази функция е активна, хладилникът ви ще работи 2 часа без прекъсване.

За да деактивирате тази функция натиснете съответния бутон повторно.

13. Индикатор на температурата в отделението за съхранение Flexi Zone

Отчита температурната настройка във отделението Flexi Zone.

14. Индикатор икономичен режим

Показва, че хладилникът работи в енергоефективен режим. Температура на фризерно отделение

Този индикатор ще е активен ако функцията е настроена на -18 или енергоефективното охлаждане е извърпено по време на функцията Eco-Extra.

15. Индикатор грешки

Този индикатор ще се активира ако вашият хладилник не охлажда адекватно или ако има повреда в сензор. Когато индикаторът е активен, температурният индикатор във фризерното отделение ще изпише "E" и температурният индикатор на хладилното отделение ще изпише номера като "1,2,3...". Тези номера на индикатора дават информация на сервизните техници за грешката.

16. Индикатор за заключване на копчетата

Използвайте тази функция ако не искате температурната настройка на хладилника да бъде променена. Натиснете едновременно бутона за бързо охлаждане и бутона за температурна настройка на отделението Flexi Zone продължително (3 сек.) за да активирате тази функция.

За да деактивирате тази функция натиснете съответните бутони повторно.

17. Бутон отказ лед

За да спрете образуването на лед, трябва да натиснете за 3 секунди бутона за отказване на лед. Когато ледът е отказан, в кутията за лед няма да постъпва вода. Въпреки това, в кутията за лед може да остане лед, който да бъде взет от там. За да активирате образуването на лед, трябва да натиснете за 3 секунди бутона за отказване на лед.

18. Индикатор отказ лед

Използвайте тази функция ако не искате лед от хладилника. За да използвате тази функция, натиснете бутона отказ лед за 3 секунди.

19. Бутон за отказ от предупреждението за смяна на филтъра

Филтърът на хладилника трябва да се подменя на всеки 6 месеца. Хладилникът ви изчислява периода автоматично и предупредителният индикатор за смяна на филтъра светва когато срокът на ползване на филтъра е изтекъл. Натиснете бутона за отказ от предупреждението за смяна на филтъра за 3 секунди за да позволите на хладилника да изчисли новия период на ползване на филтъра след подмяната.

20. Индикатор за отказ от предупредителен индикатор за смяна на филтъра

Когато периодът за ползване на филтъра изтече, предупредителният индикатор за смяна на филтъра светва.

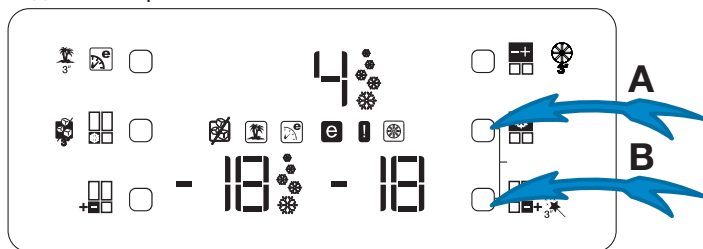
Предупреждение за отворена врата:

В случай, че забравите вратата на хладилното или Flexi Zone отделението отворена за повече от минута, ще се чуе помощна аларма за отворена врата. За да спрете алармата, просто натиснете който и да е бутон на индикатора или затворете вратата.

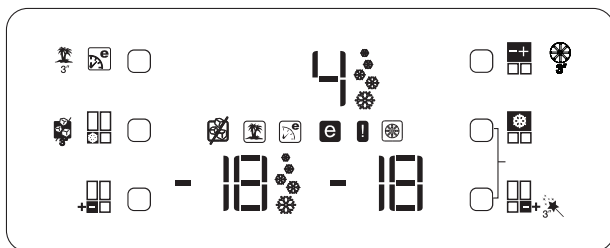
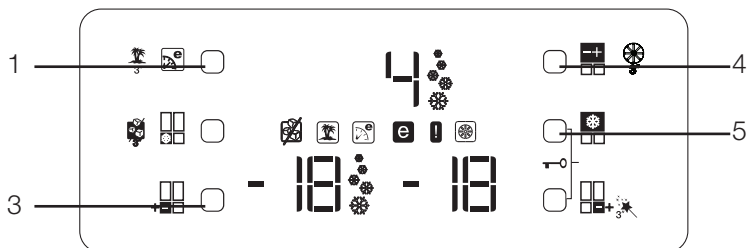
Какво да направите за да бъде изчислен срокът за ползване на филтъра автоматично

(За продукти свързани към водоподаването и оборудвани с филтър)

1- След като включите хладилника в контакта, натиснете бутони А и В едновременно за да активирате заключването.



2- След това натиснете съответно бутони Есо-Extra (1), Настройка на температурата в хладилното отделение (4), Бързо охлаждане (5) и Настройка на температурата във фризерното отделение (3).



Ако бутоните са натиснати в правилния ред, символът за заключване на бутоните ще изгасне, ще се активира алармен сигнал, а предупредителният индикатор за смяна на филтъра ще изгасне. Натиснете бутон отказ от смяна на филтъра (под номер 19 в описанията на дисплея) след като подмените филтъра за да бъде изчислен автоматично периодът на ползване на новия филтър.

❗ Ако периодът за ползване на филтъра е изчислен автоматично, предупредителният индикатор за смяна на филтъра светва за няколко секунди след като уредът се включи в контакта.

❗ Автоматичното изчисляване на периода на ползване на филтъра не е активен във фабричните настройки. То трябва да се активира при уредите оборудвани с филтър.

❗ Повторете същата процедура при уреди с активирано автоматично изчисляване на периода за ползване на филтъра за да го деактивирате.

Тава за яйца

Може да монтирате поставката за яйца на желанния рафт или вътрешен рафт.

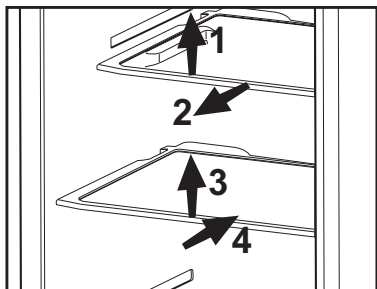
Никога не дръжте поставката за яйца във фризерното отделение

Плъзгачи се рафтове

Леко повдигане на плъзгачите се рафтовете отпред позволява те да бъдат изтеглени и придвижвани напред и назад. Те се явяват спиращо място когато изтеглите рафта, за да достигнете храни, разположени в задната част на рафта; когато се издърпа чрез леко повдигане нагоре на второто спиращо място, тялото на рафта ще се освободи.

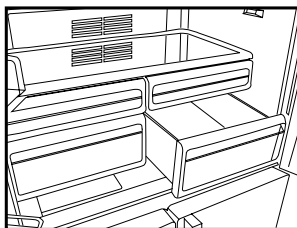
Рафтът трябва да се държи здраво отдолу за да не се преобърне. Тялото на рафта се поставя в релсите отстрани на хладилника на по ниско или по-високо ниво.

Рафта трябва да се натисне назад за да се постави изцяло.



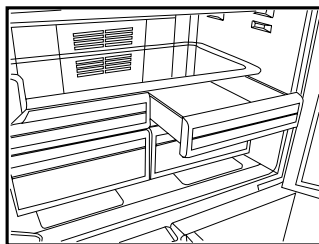
Контейнер за запазване на свежестта

Контейнерът за запазване на свежестта в хладилника ви е специално проектиран да запази свежестта на зеленчуците ви без те да загубят своята свежест. За тази цел, около контейнера за запазване на свежестта се полчувава хладна въздушна циркулация. Свалете рафтовете на вратата в редицата на контейнера за запазване на свежестта преди да го извадите. Можете да свалите контейнерите за запазване на свежестта както е показано на фигурата.



Отделение за охлаждане

Отделенията за охлаждане подготвят храните за замразяване. Също така може да използвате тези отделения за съхранение на хранителни продукти при температура няколко градуса по-ниска от тази в хладилното отделение. Може да увеличите вътрешния обем на хладилника като свалите някои от отделенията за охлаждане. За да направите това, издърпайте отделението към себе си; отделението ще се наклони към стопера и ще спре. Това отделение ще се откачи когато го повдигнете на около 1 см и издърпате към себе си.



Подвижна средна част

Подвижната средна част има за цел да предотврати излизането на студения въздух навън.

1- В средната подвижна част на хладилника има допълнително уплътнение което уплътнява когато вратите на хладилното отделение са затворени.

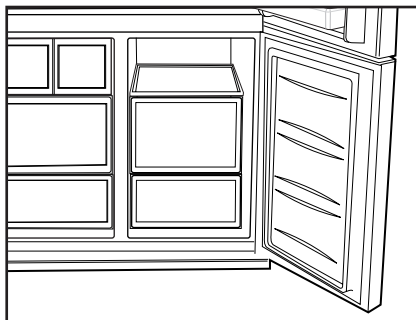
2- Друга причина хладилникът ви да е оборудван с подвижна средна част е, че тя увеличава нетния обем на фризерното отделение. Стандартната средна част заема неизползваемо пространство в хладилника.

3- Подвижната средна част е затворена когато лявата врата на хладилното отделение е затворена.

4- Не бива да се отваря ръчно. Тя се движи под влияние на пластмасовата част на корпуса при затваряне на вратата.

Отделение за съхранение Flexi Zone

Отделението за съхранение Flexi Zone на вашия хладилник може да се използва във желания режим чрез настройване на температурата за хладилник (2/4/6/8 °C) или за фризер (-18/-20/-22/-24). Можете да поддържате отделението на желаната температура чрез бутона за температурна настройка във отделението за съхранение Flexi Zone. Температурата в отделението за съхранение Flexi Zone може да се настрои на 0 и 10 градуса в допълнение към температурата в хладилното отделение и на -6 градуса в допълнение към температурата във фризерното отделение. 0 градуса се използва за по-дълго съхраняване на деликатеси, а -6 градуса се



използва за поддържане на месата до 2 седмици в подходящо за нарязване състояние.

☑ Възможността за превключване на хладилно или фризерно отделение е възможна благодарение на охлаждащия елемент, намиращ се в затвореното (компресорно) отделение зад хладилника. През време на работа на този елемент е възможно да се чуят звуци наподобяващи звука от стрелките на аналогов часовник. Това е нормално и не е признак на повреда.

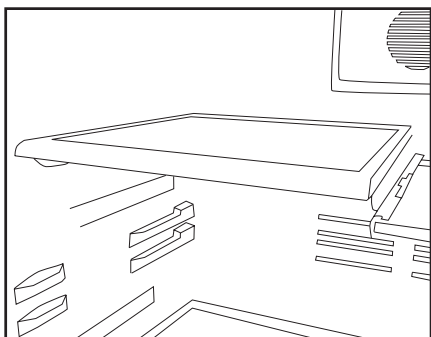
Синя лампа

Хранителните продукти, които се съхраняват в отделението за запазване на свежестта и се осветяват със синя лампа, продължават фотосинтезата си благодарение на ефекта на вълните на синята лампа, като по този начин запазват свежестта си и повишават съдържанието на витамини.



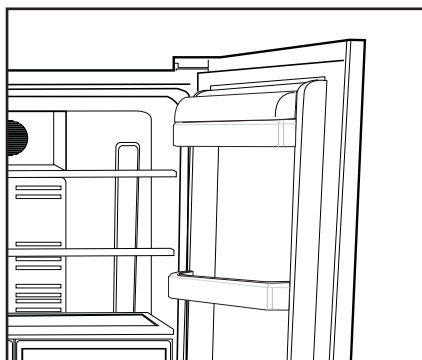
Плъзгачи се рафтове със задно окачване

Плъзгачите се рафтове с задно окачване могат да се мърдад назад и напред. Височината на тези рафтове може да се регулира чрез свалянето им и монтирането им на по-горна или по-долна позиция. За да извадите рафта го повдигнете леко и го дръпнете към себе си.



Отделение за масло и сирене

В това отделение, оборудвано с капак, може да съхранявате хранителни продукти като масло, сирене и маргарин.

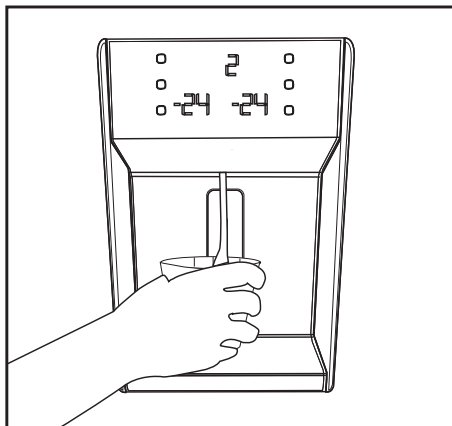


Използване на течашката вода

Предупреждения

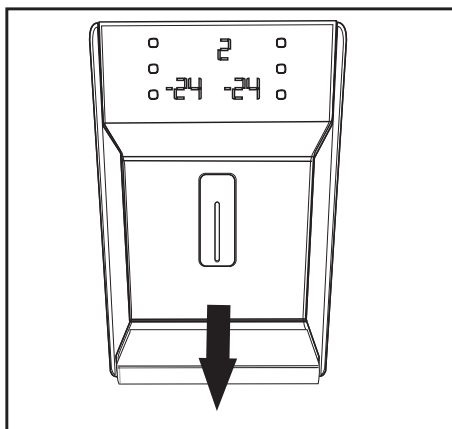
Нормално е първите няколко чаши вода, сипани от диспенсера да са топли.

В случай, че водният диспенсер не се ползва често, трябва да се източи достатъчно количество вода, за да си налеем прясна вода.



Поставка за разлята вода

Водните капки, които се оттичат при употреба, се събират в поставката за разлята вода. Може да свалите тавата като издърпате към вас или натиснете края ѝ (в зависимост от модела). Може да подсушите водата с помощта на гъба или мек парцал.



Минибар

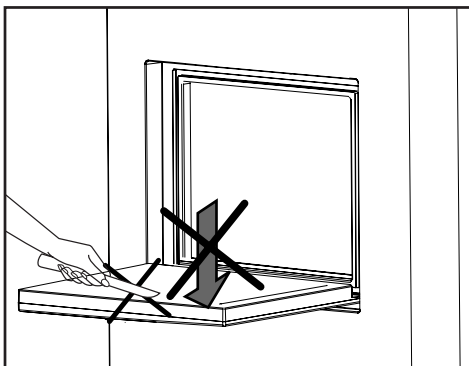
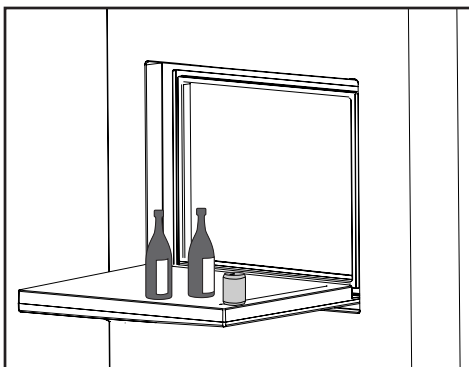
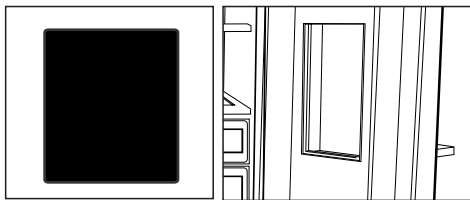
Вратата на минибара осигурява допълнителен комфорт при употребата на хладилника. Рафтът, намиращ се на вратата, може да бъде достигнат без да е необходимо вратата да се отваря; благодарение на тази функция, можете лесно да вземете храните и напитките, които използвате често. След като не трябва често да отваряте вратата на хладилника, ще намалите и консумацията на електроенергия.

За да отворите вратата на минибара, натиснете с ръка върху минибара и дръпнете назад за да отворите.

Когато вратата на минибара е отворена, можете да използвате вътрешната страна на вратата, като поставка, на която можете да поставите бутилки и чаши за кратко време, както е показано на фигурата.

⚠ Внимание: Никога не правете неща, които може да окажат натиск върху вратата, като например да седите върху нея, да се катерите или висите върху поставката или да поставяте тежки предмети върху нея. Това може да повреди хладилника или да доведе до наранявания.

⚠ Внимание: Никога не режете на вратата на минибара и внимавайте вратата да не се повреди от остри предмети.



6 Почистване и поддръжка

- ⚠ Никога не използвайте газ, беззин или подобни вещества за почистване на уреда.
- ⚠ Препоръчваме ви да изключите уреда от контакта преди почистване.
- ⓘ Никога не използвайте за почистване остри или абразивни материали, сапун, домакински препарати, перилни препарати или полир.
- ⓘ Използвайте хладка вода, за да почистите корпуса на хладилника, и подсушете.
- ⓘ Използвайте влажна кърпа, натопена в разтвор от една супена лъжица сода бикарбонат в половин литър вода, за да почистите вътрешността, и подсушете.
- ⚠ В гнездото на лампата и другите електрически компоненти не бива да навлиза вода.
- ⚠ Ако хладилникът няма да се използва дълго време, изключете го от контакта, извадете всички хранителни продукти, почистете го и оставете вратата откритата.
- ⓘ Редовно проверявайте уплътненията на вратата, за да сте сигурни, че са чисти и че по тях няма хранителни остатъци.
- ⚠ За да свалите рафт от вратата, извадете всички продукти и го бутнете нагоре от основата му.

Предпазване на пластмасовите повърхности

- ⓘ Не слагайте течни мазнини или готвени в мазнина ястия в хладилника освен в затворен контейнер, тъй като те повреждат пластмасовите повърхности на хладилника. В случай на разливане или омазване на пластмасовите повърхности с мазнина, почистете и изплакнете съответната част от повърхността с топла вода.

7 Възможни решения на възникнали проблеми

Моля, прегледайте този списък преди да се обадите в сервиза. Това може да ви спести време и пари. Този списък съдържа проблеми, които не са в резултат на дефетно производство или лоша употреба на материали. Някои от описаните тук характеристики може да не са налични във вашия продукт.

Хладилникът не работи.
<ul style="list-style-type: none">• Хладилникът правилно ли е включен в контакта? Включете щепсела в контакта.• Да не е изгорял бушонът на контакта, към който е свързан хладилника или главният бушон? Проверете бушона.
Кондензация по странияната стена на хладилното отделение (МУЛТИЗОНА, КОНТРОЛ НА ОХЛАЖДАНЕТО и FLEXI ZONE).
<ul style="list-style-type: none">• Много студени външни температурни условия. Често отваряне и затваряне на вратата. Много влажни външни условия. Съхранение на храни със съдържание на течности в отворените контейнери. Оставена откритата вратата. Превключете термостата на по-ниска стойност.• Дръжте вратата отворена по-кратко време или я използвайте по рядко.• Покривайте храните, съхранявани в отворени контейнери с подходящи материали.• Избършете кондензираната вода със сух парцал и проверете дали се кондензира отново.
Компресорът не работи
<ul style="list-style-type: none">• Защитният термостат на компресора се изключва при внезапно прекъсване в захранването или при включване и изключване от контакта тъй като налягането на охладителя в охладителната система на хладилника все още не е уравновесен. Хладилникът ще започне да работи след около 6 минути. Ако след този период от време хладилникът не почне да работи, се свържете със сервиза.• Хладилникът е в цикъл на разлеждане. Това е нормално за хладилник с напълно автоматично разлеждане. Цикълът на разлеждане се задейства периодично.• Хладилникът не е включен в контакта. Проверете дали щепсела е добре вкаран в контакта.• Правилно ли са направени температурните настройки?• Захранването трябва да е изключено.

<p>Хладилникът работи често или продължително време</p>
<ul style="list-style-type: none"> • Новият ви хладилник може да е по-широк от предишния. Това е съвсем нормално. Големите хладилници работят по-дълго време. • Температурата в стаята може да е твърде висока. Това е съвсем нормално. • Хладилникът може скоро да е включен в контакта или да е зареден с храна. Пълното охлаждане на хладилника може да продължи няколко часа по-дълго. • Възможно е наскоро да сте поставили големи количества топла храна в хладилника. Горещата храна води до по-продължителна работа на хладилника до достигане на необходимата ѝ температура на съхранение. • Вратите може да са били отворени често или оставени открити за дълго време. Топлият въздух, проникнал в хладилника, го кара да работи за по-продължителни периоди. Избягвайте да отваряте вратите толкова често. • Вратата на фризерното или хладилно отделение може да е била оставена откритата. Проверете дали вратите са плътно затворени. • Хладилникът е настроен на много ниска температура. Настройте хладилника на по-висок градус и изчакайте докато достигне температурата. • Уплътнението на вратата на хладилника или фризера може да е замърсено, износено, повредено или неправилно поставено. Почистете или подменете уплътнението. Повреденото уплътнение кара хладилника да работи по-продължително време за да поддържа температурата.
<p>Температурата във фризера е много ниска, докато температурата в хладилника е задоволителна</p>
<ul style="list-style-type: none"> • Фризерът е настроен на много ниска температура. Настройте температурата във фризера на по-висока стойност и проверете.
<p>Температурата в хладилника е много ниска, докато температурата във фризера е задоволителна</p>
<ul style="list-style-type: none"> • Възможно е хладилникът да е настроен на много ниска температура. Настройте температурата в хладилника на по-висока стойност и проверете.
<p>Хранителните продукти, съхранявани в чекмеджетата на хладилното отделение, замръзват.</p>
<ul style="list-style-type: none"> • Възможно е хладилникът да е настроен на много ниска температура. Настройте температурата в хладилника на по-висока стойност и проверете.
<p>Температурата в хладилника или фризера е много висока.</p>
<ul style="list-style-type: none"> • Възможно е хладилникът да е настроен на много висока температура. Настройката на хладилника оказва влияние върху температурата във фризера. Променете температурата в хладилника или фризера до достигане на задоволително ниво. • Вратите може да са били отворени често или оставени открити за дълго време; отваряйте ги по-нарядко. • Вратата може да е била оставена откритата; затворете я докрай. • Възможно е наскоро да сте поставили голямо количество топла храна в хладилника. Изчакайте хладилникът или фризерът да достигнат желаната температура. • Хладилникът може да е включен скоро в контакта. Пълното охлаждане на хладилника отнема време.

Работният шум се увеличава когато хладилникът работи.
<ul style="list-style-type: none"> Оперативните характеристики на хладилника ви може да се променят в зависимост от промените на околната температура. Това е нормално и не е повреда.
Вибрации или шум.
<ul style="list-style-type: none"> Подът не е равен или издръжлив. Хладилникът се люлее при леко помръдване. Уверете се, че подът е достатъчно здрав и равен и може да издържи хладилника. Шумът може да идва от предметите, поставени върху хладилника. Свалете всякакви предмети от върху хладилника.
От хладилника се чуват се шумове като от разливане на течност или спрей.
<ul style="list-style-type: none"> Потокът на течност и газ е в съответствие с оперативните принципи на хладилника ви. Това е нормално и не е повреда.
Чува се шум като от духане на вятър.
<ul style="list-style-type: none"> Вентилаторите се използват за охлаждане на хладилника. Това е нормално и не е повреда.
Кондензация по вътрешните страни на хладилника.
<ul style="list-style-type: none"> Топлият и влажен климат повишава залеждането и кондензацията. Това е нормално и не е повреда. Вратите може да са били оставени открити; проверете дали са затворени докрай. Вратите може да са били отворени често или оставени открити за дълго време; отворяйте ги по-нарядко.
Отвън на хладилника или между вратите се събира влага.
<ul style="list-style-type: none"> Възможно е въздухът да е влажен; това е нормално при влажен климат. Когато влажността във въздуха намалее, кондензираната вода ще изчезне.
Лоша миризма в хладилника.
<ul style="list-style-type: none"> Вътрешността на хладилника трябва да се почисти. Почистете вътрешността на хладилника с гъба, хладка или газирана вода. Миризмата може да излиза от контейнери или опаковъчни материали. Използвайте друг контейнер или различна марка опаковъчни материали.
Вратата не се затваря.
<ul style="list-style-type: none"> Пакетите с храна може да пречат на затварянето на вратата. Преместете пакетите, които пречат на вратата. Хладилникът не е изправен върху пода и се люлее при леко помръдване. Настойте повдигащите винтове. Подът не е равен или издръжлив. Уверете се, че подът е равен и способен да издържи хладилника.
Контейнерите за запазване на свежестта са заклещени.
<ul style="list-style-type: none"> Храната може да докосва горната част на чекмеджето. Разместете храната в чекмеджето.

Læs venligst denne vejledning først!

Kære kunde

Vi håber, at dit produkt, der er produceret i moderne produktionsanlæg og kontrolleret under de grundigste kvalitetskontrolprocedurer, vil give yde dig en effektiv service.

Derfor anbefaler vi dig grundigt at læse hele vejledningen for produktet, inden du tager det i anvendelse, og gemmer det tilgængeligt for fremtidige opslag.

Denne vejledning

- Vil hjælpe dig med at bruge køleskabet hurtigt og sikkert.
 - Læs denne vejledning, inden du installerer og betjener produktet.
 - Følg instruktionerne, især sikkerhedsinstruktionerne.
 - Opbevar denne manual på et nemt tilgængeligt sted, da du kan få brug for den senere.
 - Derudover skal du også læse de andre dokumenter, der er fulgt med produktet.
- Bemærk at denne vejledning også kan være gældende for andre modeller.

Symboler og deres beskrivelse

Denne brugsvejledning indeholder følgende symboler:



Vigtige informationer eller brugbare tips.



Advarsel mod farlige forhold for liv og ejendom.



Advarsel mod strømspænding.

Genvinding



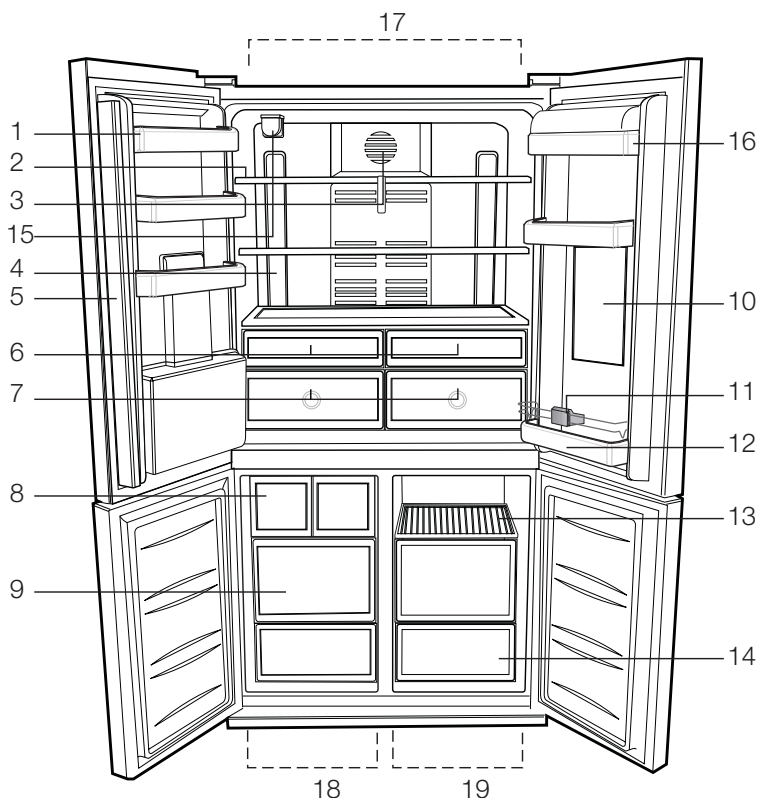
Dette produkt er udstyret med symbolet for selektiv sortering af affald fra elektrisk og elektronisk udstyr (WEEE).

Det betyder, at dette produkt skal håndteres i henhold til det Europæiske Direktiv 2002/96/EC for at blive genanvendt eller afmonteret for at minimere påvirkningen af miljøet. For yderligere information bedes du kontakte de lokale myndigheder.

Elektroniske produkter, der ikke er omfattet af den selektive sorteringsproces, er potentielt farlige for miljøet og menneskets sundhed pga. af tilstedeværelsen af farlige substanser.

1 Køleskabet	3	5 Anvendelse af køleskabet	17
2 Vigtige sikkerhedsadvarsler	4	Indikatorpanel.....	17
Tilsigtet brug.....	4	Alarm for åben dør:	20
For produkter med en vanddispenser;6		Hvad du skal gøre for at få filtertiden beregnet automatisk.....	21
Børnesikkerhed	6	Glidehylder	22
HCA Advarsel.....	6	Æggebakke	22
Energibesparende foranstaltninger.....	6	Grøntsagsrum	22
3 Installation	7	Køleafdeling.....	22
Punkter, der skal tages hensyn til, hvis køleskabet skal transporteres igen.....	7	Flexizone opbevaringsrum	23
Inden køleskabet betjenes	7	Flytbar midtersektion	23
Elektrisk tilslutning	8	Blåt lys	23
Bortskaffelse af emballagen	8	Glidehylder med bøjler bagpå.....	24
Bortskaffelse af det gamle køleskab...8		Hylde til smør og ost.....	24
Placering og installation	8	Anvendelse af vandkilden	24
Justering af balancen på gulvet	9	Spildebakke.....	24
Justering af afstanden mellem øverste låge	9	Minibar	25
BETINGELSER FOR INSTALLATION OG BRUG:	11	6 Rengøring og vedligeholdelse	26
Installation af vandfilter	11	Beskyttelse af plasticoverflader	26
Tilslutning vandrøret til køleskabet ...	11	7 Anbefalede løsninger på problemerne	27
Tilslutning af vandslange til kanden .	12		
Tilslutning af vandrøret til koldtvarsledning.	13		
Inden is/vandbeholderen anvendes første gang.....	15		
4 Tilberedning	16		

1 Køleskab



- | | |
|---------------------------|---------------------------------|
| 1- Lågehylde til køleskab | 11- Flaskeholder |
| 2- Glashylde til køleskab | 12- Flaskehylde |
| 3- Sprederdæksel | 13- Hylde til opbevaring af mad |
| 4- Belysningsglas | 14- Rum til opbevaring af mad |
| 5- Flytbar midtersektion | 15- Vandfilter |
| 6- Køleafdeling | 16- Hylde til smør og ost |
| 7- Grøntsagsrum | 17- Køleskab |
| 8- Ismaskine | 18- Fryser |
| 9- Rum til dybfrost | 19- Flexi-zone |
| 10- Minibar | |

i Tallene i denne manual er skematiske og svarer måske ikke helt til dit produkt. Hvis delene ikke er indeholdt i det produkt, du har købt, findes de i andre modeller.

2 Vigtige sikkerhedsadvarsler

Gennemgå følgende informationer.

Hvis man undlader at overholde disse informationer, kan det forårsage kvæstelser eller materiel skade.

Ellers vil alle garantier og løfter om driftssikkerhed blive ugyldige.

Brugslevetiden for enheden, du har købt, er 10 år. Det er den periode, de reservedele bevares, der er nødvendige for, at enheden kan køre som beskrevet.

Tilsigtet brug

Dette produkt er beregnet til at blive brugt

- indendørs og i lukkede områder, som f.eks. hjem;
- i lukkede arbejdsmiljøer, som f.eks. butikker og kontorer;
- i lukkede boligområder, som f.eks. stuehuse, hoteller, pensionater.
- Dette produkt skal ikke bruges udendørs.

Generelle sikkerhedsregler

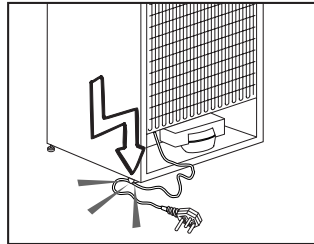
- Når du vil bortkaste/skrotte produktet, anbefaler vi, at du rådfører dig med den autoriserede service for at tilegne dig de krævede informationer samt med de autoriserede myndigheder.
- Kontakt den autoriserede forhandler for at få svar på spørgsmål og problemer omkring køleskabet. Undlad at foretage indgreb eller lade andre foretage indgreb på køleskabet uden at informere den autoriserede forhandler.
- For produkter med fryser; Undlad at spise vaffels eller isterninger lige efter, du har taget dem ud af fryseren! (Det kan forårsage forfrysninger i munden.)
- For produkter med fryser; læg ikke flydende drikkevarer på flaske eller kande i fryseren. De kan eksplodere.

- Rør ikke frosne madvarer med hænderne, da de kan hænge fast i din hånd.
- Tag køleskabet ud af stikket inden rengøring eller afrimning.
- Damp og fordampede rengøringsmaterialer skal aldrig bruges ved rengøring og afrimning af køleskabet. Hvis det sker, kan dampen komme i kontakt med de elektriske dele og forårsage kortslutning eller elektrisk stød.
- Brug aldrig delene på køleskabet, som f.eks. lågen til at støtte dig på eller stå på.
- Brug ikke elektriske apparater inde i køleskabet.
- Undlad at beskadige de dele, hvor kølemidlet cirkulerer, med bore- eller skæreværktøjer. Kølemidlet, som kan blæse ud, når fordampere gaskanaler, forlængerrørene eller overfladebelæggningerne punkteres, kan forårsage hudirritationer og øjenskader.
- Undlad med nogen form for materiale at tildække eller blokere ventilationshullerne på køleskabet.
- Elektrisk udstyr må kun repareres af autoriserede personer. Reparationer, der er udført af inkompetente personer, skaber en risiko for brugeren.
- I tilfælde af fejlfunktion under vedligeholdelses- eller reparationsarbejde skal køleskabets forsyningsnet afbrydes ved enten at slukke for den relevante sikring eller ved at tage apparatets stik ud af kontakten.
- Træk ikke i ledningen, når stikket skal tages ud.
- Placer de drikkevarer, der indeholder højere alkoholprocent, stramt lukket og lodret.

- Opbevarer aldrig sprayflasker, der indeholder brændbare og eksplosive substanser, i køleskabet.
- Der må ikke anvendes mekanisk udstyr eller andre midler, ud over de af producenten anbefalede, for at fremskynde afrimningsprocessen.
- Dette produkt er ikke beregnet til at bruges af personer med fysiske handicap, føleforstyrrelser og psykiske lidelser eller personer, som ikke har modtaget instruktion (herunder børn), medmindre de er ledsaget af en person, der er ansvarlig for deres sikkerhed eller som instruerer dem i brug af produktet.
- Lad ikke et beskadiget køleskab køre. Kontakt serviceagenten, hvis du har nogen betænkeligheder.
- Der kan kun garanteres for køleskabets strømsikkerhed, hvis jordingsystemet i dit hjem opfylder standarderne.
- At udsætte produkterne for regn, sne, sol og vind er farligt hvad angår el-sikkerheden.
- Kontakt autoriseret service, hvis der er et beskadiget strømkabel, for at undgå fare.
- Sæt aldrig køleskabet ind i stikkontakten under installationen. Hvis det sker, kan der opstå risiko for dødsfald eller alvorlig skade.
- Dette køleskab er kun beregnet til at opbevare madvarer. Det bør ikke bruges til andre formål.
- Typeskiltet med tekniske informationer er placeret på den venstre væg i køleskabet.
- Tilslut aldrig køleskabet til el-besparende systemer; de kan beskadige køleskabet.
- Hvis der er et blåt lys i køleskabet, så undlad at kigge på det blå lys med optiske instrumenter.
- For manuelt betjente køleskabe skal

man vente mindst 5 minutter med at starte det efter strømsvigt.

- Denne brugermanual skal afleveres til den nye ejer når det skifter ejermand.
- Undlad at beskadige strømkablet, når køleskabet transporteres. Det kan forårsage brand at bøje kablet. Placer aldrig tunge genstande på strømkablet. Rør ikke ved stikket med våde hænder, når du tager stikket ud.



- Tilslut ikke køleskabet hvis stikkontakten er løs.
- Vand bør ikke blive sprayet direkte på indre og ydre dele af produktet af sikkerhedsmæssige årsager.
- Undlad at sprøjte substanser, der indeholder brændbare gasser, som f.eks. propangas, nær ved køleskabet for at undgå risiko for brand og eksplosion.
- Placer aldrig beholdere, der er fyldt med vand, oven på køleskabet, da det kan forårsage elektrisk stød eller brand.
- Overfyld ikke køleskabet med overdrevne mængder mad. Hvis det er overfyldt, kan maden falde ned og beskadige dig og beskadige køleskabet, når lågen åbnes. Placer aldrig genstande oven på køleskabet; disse genstande kan falde ned, når du åbner eller lukker køleskabslågen.
- Vacciner, varmefølsomme medikamenter, videnskabelige materialer osv. bør ikke opbevares i køleskabet, da de har brug for præcis temperatur.
- Køleskabet skal tages ud af

stikkontakten, hvis det ikke skal bruges i længere tid. Et evt. problem i strømkablet kan forårsage brand.

- Spidsen på stikket bør rengøres jævnligt; ellers kan den forårsage brand.
- Spidsen af stikket bør rengøres jævnligt med en tør klud, da det ellers kan forårsage brand.
- Køleskabet kan flytte sig, hvis de justerbare ben ikke er sikret godt nok på gulvet. Rigtigt sikrede justerbare ben på gulvet kan forhindre køleskabet i at flytte sig.
- Når køleskabet skal bæres, må man ikke holde i lågens håndtag. Hvis det sker, kan det brække.
- Hvis produktet skal placeres ved siden af et andet køleskab eller fryser, skal afstanden mellem de to apparater være mindst 8 cm. Ellers kan de tilgrænsende sidevægge blive fugtige.

For produkter med en vanddispenser;

Vandtrykket skal være mindst 1 bar.

Vandtrykket skal være højst 8 bar.

- Brug kun drikkevand.

Børnesikkerhed

- Hvis døren har en lås, bør nøglen opbevares uden for børns rækkevidde.
- Børn skal overvåges for at forhindre, at de piller ved produktet.

HCA Advarsel

Hvis køleskabets kølesystem indeholder R600a:

Denne gas er brændbar. Du skal derfor være opmærksom på ikke at ødelægge kølesystemet og kølerørene under brug og transport. I tilfælde af beskadigelse skal produktet holdes væk fra mulige brandkilder, der kan forårsage, at produktet går i brand, og du skal sørge for at lufte ud i rummet, hvor produktet er placeret.

Ignorer denne advarsel, hvis dit køleskabs kølesystem indeholder R134a.

Gastypen, der bruges i produktet, er meddelt på typeskiltet, der er på venstre væg inde i køleskabet.

Kast aldrig produktet i en brand for bortskaffelse.

Energibesparende foranstaltninger

- Undlad at lade lågerne i køleskabet stå åbne i lang tid.
- Put ikke varm mad eller drikke i køleskabet.
- Overfyld ikke køleskabet, så luftcirkulationen bliver forhindret.
- Placer ikke dit køleskab under direkte sollys eller tæt på varmeudstrålende apparater, som f.eks. ovne, opvaskemaskiner eller radiatorer.
- Vær omhyggelig med at opbevare maden i lukkede beholdere.
- Produkter med en fryser: Du kan opbevare maksimal mængde madvarer i fryseren, hvis du fjerner hylden eller skuffen i fryseren. Energiforbrugsværdien, der er angivet for køleskabet, er blevet bestemt ved at fjerne fryserhylden eller -skuffen og under maksimal indfyldning. Der er ingen skade ved at bruge en hyld eller skuffe der passer i form og størrelse til de madvarer der skal fryses.
- Optøning af frossen mad i køleskabet vil både skabe energibesparelse og bevare madens kvalitet.

3 Installation

- i** Husk at leverandøren ikke kan holdes ansvarlig, hvis informationerne i brugsvejledningen ikke er overholdt.

Punkter, der skal tages hensyn til, hvis køleskabet skal transporteres igen

1. Køleskabet skal tømmes og rengøres inden transport.
2. Hylde, tilbehør, grøntsagsskuffer osv. i køleskabet skal fastgøres sikkert for at modvirke stød, inden produktets pakkes igen.
3. Emballagen skal fastgøres med tykt tape og stærke reb, og reglerne for transport, der er trykt på pakken, skal følges.

i Husk altid...

Alt genbrugsmateriale er en uundværlig kilde for naturen og for vore nationale ressourcer.

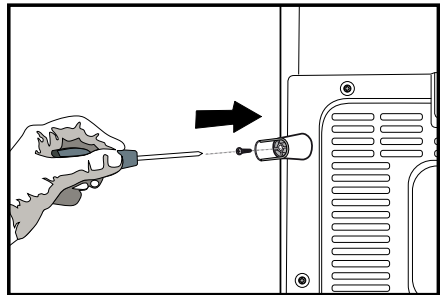
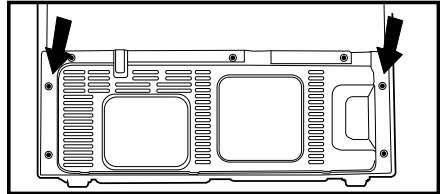
Hvis du ønsker at medvirke til at genbruge emballagen, kan du få yderligere informationer hos miljøorganisationerne eller de lokale myndigheder.

Inden køleskabet betjenes

Inden du begynder at bruge køleskabet, skal du kontrollere følgende:

1. Er køleskabet tørt indvendigt, og kan luften cirkulere frit bagved det?
2. Indsæt de plastikkiler på det bageste ventilationsdæksel, som vist på figuren. For at gøre dette skal du fjerne skruerne på produktet og bruge de skruer der følger med i posen.

Plastikillerne vil give den krævede afstand mellem dit køleskab og væggen, så der bliver plads til luftcirkulation.



3. Rengør køleskabet indvendigt som anbefalet i afsnittet "Vedligeholdelse og rengøring".
4. Sæt køleskabets stik ind i kontakten. Når døren åbnes, vil det indvendige lys tændes.
5. Der vil kunne høres en lyd, når kompressoren starter. Kølevæsken og luftarterne, der findes i kølesystemet, kan også støje lidt, selv om kompressoren ikke kører, hvilket er helt normalt.
6. Køleskabets forreste kanter kan føles varme. Dette er normalt. Disse områder er beregnet til at være varme for at undgå kondensering.

Elektrisk tilslutning

Tilslut køleskabet til en jordet kontakt der er beskyttet af en sikring med passende kapacitet.

Vigtigt:

- ⚠ Tilslutningen skal være i overensstemmelse med de nationale regulativer.
- ⚠ Strømskiftet skal være nemt tilgængeligt efter installationen.
- ⚠ Spænding og tilladt sikringsbeskyttelse er angivet i afsnittet "Tekniske specifikationer".
- ⚠ Den angivne spænding skal være lig med spændingen for dit forsyningsnet.
- ⚠ Mellemkabler og stikdåser med flere stik skal ikke bruges til tilslutningen.
- ⚠ Et ødelagt strømkabel skal udskiftes af en autoriseret elektriker.
- ⚠ Enheden må ikke betjenes, før den er repareret! Der er fare for elektrisk stød!

Bortskaffelse af emballagen

- ⚠ Emballagen kan være farlig for børn. Hold emballagen væk fra børns rækkevidde eller bortskaf dem, idet du skal klassificere dem i henhold til affaldsinstruktionerne. Smid dem ikke væk sammen med det øvrige husholdningsaffald.

Køleskabets emballage er produceret af genanvendelige materialer.

Bortskaffelse af det gamle køleskab

Bortskaf det gamle køleskab uden at skade miljøet.

- ⚠ Du kan spørge din forhandler eller genbrugsstationen i din kommune angående bortskaffelse af køleskabet.
- ⚠ Inden køleskabet bortskaffes, skal du skære elstikket af, og hvis der er låse i lågen, skal du gøre dem ubrugelige for at beskytte børn mod fare.

Placering og installation

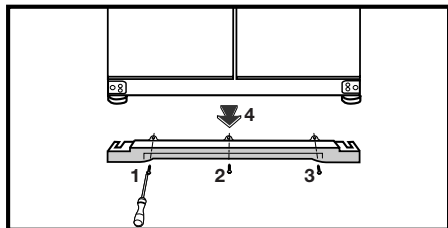
⚠ Forsigtig: Sæt aldrig køleskabet ind i stikkontakten under installationen. Hvis det sker, kan der opstå risiko for dødsfald eller alvorlig skade.

⚠ Hvis indgangsdøren i det rum, hvor køleskabet skal placeres, ikke er bred nok til, at køleskabet kan komme igennem, så skal du kontakte autoriseret service for at få dem til at fjerne lågerne på køleskabet og lade køleskabet passere sidelæns gennem døren.

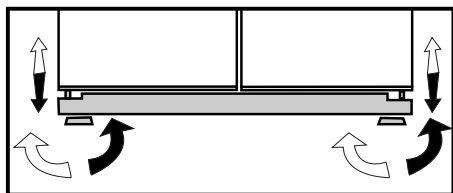
1. Installér køleskabet på et sted, hvor det er nemt at bruge.
2. Hold køleskabet væk fra varmekilder, fugtige steder og direkte sollys.
3. Der skal være tilstrækkelig ventilation rundt om køleskabet for at opnå en effektiv funktion. Hvis køleskabet skal placeres i en fordybning i væggen, skal der være mindst 5 cm afstand fra loft og væg.
- Hvis gulvet er belagt med tæppe, skal produktet hæves 2,5 cm fra gulvet.
4. Placér køleskabet på en jævn gulvoverflade for at undgå rystebevægelser.
5. Stil ikke køleskabet på et sted, hvor de omgivende temperaturer er under 10°C.

Justering af balancen på gulvet

- ⚠ Hvis køleskabet ikke er i balance;
- ⚠ Tag først stikket ud. Stikket skal være taget ud når balancen justeres. Der er fare for elektrisk stød!



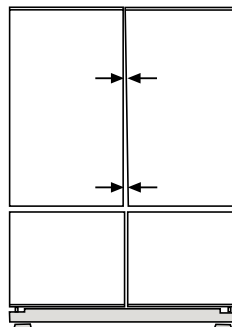
1- Ventilationsdækslet fjernes ved at løsne skrueerne som illustreret på figuren inden proceduren. Du kan bringe køleskabet i balance ved at dreje de forreste ben som illustreret på tegningen. Det hjørne, hvor benet befinder sig, bliver sænket, når du drejer i retning af den sorte pil, og hævet, når du drejer i den modsatte retning. Hvis du får hjælp fra nogen til at løfte køleskabet let, vil det lette denne proces.



2. Når balanceproblemet er løst, sættes ventilationsdækslet på igen og skrueerne skrues fast.

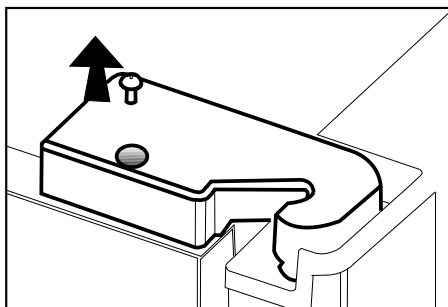
3. Fjern skrueerne der fastholder det nederste ventilationsdæksel med en Philips skruetrækker.

Justering af afstanden mellem øverste låge

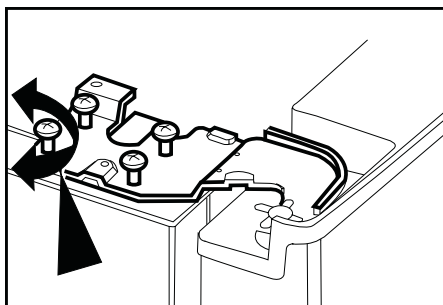


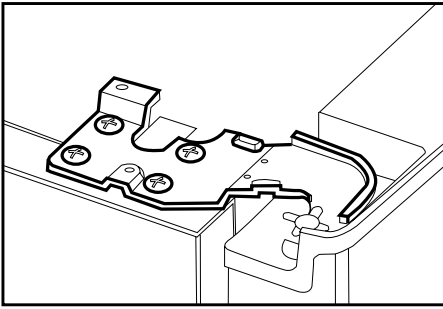
i Du kan justere afstanden mellem køleskabslågerne som illustreret på tegningerne.

Lågehyldeerne skal tømmes, når lågehøjden justeres.

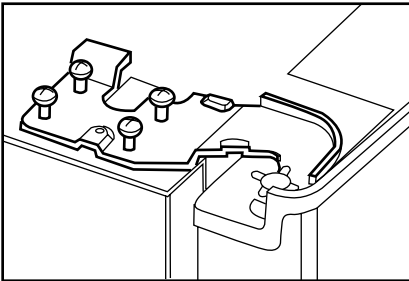


i Vha. af en skruetrækker skal du tage skruen af den låges øverste hængselsdæksel, som du vil justere.

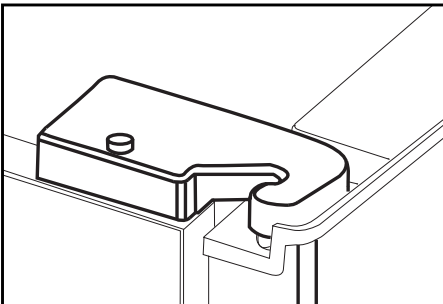




i Tilpas døren som du ønsker ved at løsne skruerne.



i Gør døren du har tilpasset fast ved at fæstne skruerne uden at ændre dørens position.



i Sæt hængselsdækslet tilbage og fastgør det med skruen.

BETINGELSER FOR INSTALLATION OG BRUG:

1. Der skal installeres en fspærringsventil på koblingsledningen til køleskabet.
2. Hvis køleskabet er tilsluttet andtilførslen med en fleksibel slange, skal denne være VA-godkendt til drikkevand.
3. Det er ikke tilladt at montere et filter på vandsystemet i køleskabet.
4. Det maksimale arbejdstryk er på 8 bar. Hvis produktet er placeret et sted, hvor trykket overstiger det maksimale arbejdstryk, skal en trykreduktionsventil monteres i henhold til fabrikantens anvisninger.

Installation af vandfilter

(i visse modeller)

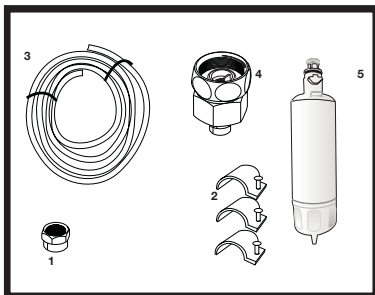
Der kan tilsluttes to forskellige vandkilder til køleskabets vandforsyning: koldt vandforsyningen eller vand i en kande.

Krav til installation

Der skal bruges en pumpe hvis der anvendes vand i en kande.

Tjek at delene nævnt nedenfor er leveret sammen med enheden.

1. Samler til tilslutning af vandrøret til bagsiden af apparatet (Hvis den ikke passer kan du anskaffe en fra nærmeste godkendte serviceafdeling.)
2. 2 stk. rørholdere (kræves for at sikre vandrøret)



Bemærk: Eftersom følgende dele ikke er nødvendige ved anvendelse af en kande, leveres de måske ikke med det produkt du har købt.

3. 5 meter langt vandrør (1/4" i diameter)
4. Koldt vandsventil med maskefilter (haneforbindelsesdel)
5. Vandfilter eller eksternt filter der skal passes til konsollen i køleskabet.

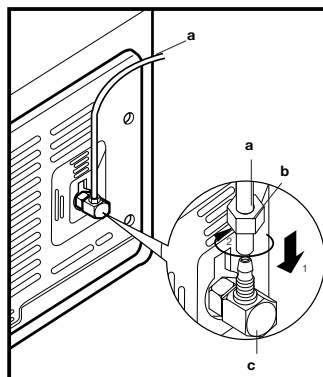
Stedet hvor det eksterne filter skal anbringes skal bestemmes først. (Gælder filterer der skal bruges på køleskabets yderside.) Dernæst skal du bestemme afstanden mellem filteret og køleskabet samt længden på slangen fra filteret til køleskabets vandindtag.

Vandfilteret skal være lodret som vist på figuren. Det er vigtigt at filteret sættes ordentligt fast til vandind- og udtag.

Efter filteret er fastgjort bør man ikke bruge de første 3-4 glas vand.

Tilslutning vandrøret til køleskabet

1. Når samleren er tilsluttet vandrøret, skal vandrøret sættes ind i køleskabets indgangsventil ved at trykke fast nedad.
2. Fastgør samleren, som vist omstående figur, ved at dreje køleskabets indgangsventil med hånden. (a- Vandrør, b-Samler, c-Ventil)



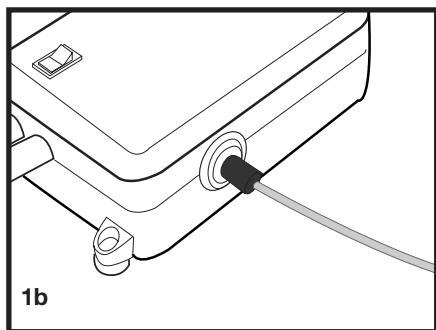
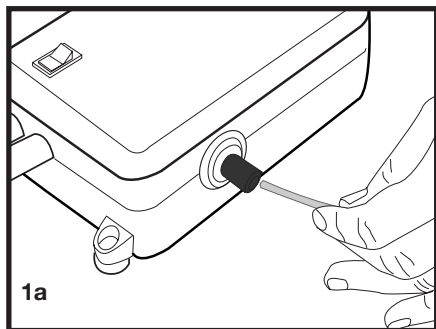
i Bemærk1: Du behøver ikke at stramme samleren med et værktøj for at opnå tæt vandsamling. Hvis der er en læk, skal du bruge en nøgle eller en tang til at stramme samleren.

Tilslutning af vandslange til kanden

(i visse modeller)

For at tilslutte vandet til køleskabet fra en kande skal du bruge en pumpe. Følg instruktionerne herunder efter du har forbundet den ende af vandrøret der kommer fra pumpen til køleskabet som beskrevet på foregående side.

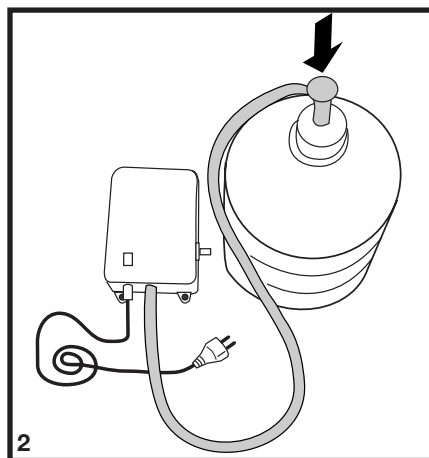
1. Færdiggør tilslutningen ved at skubbe den anden ende af vandrøret ind i pumpens indgang til vandrør som vist på figuren.



2. Sæt og fastgør pumpeslangen til kanden som vist på figuren.
3. Når tilslutningen er færdig, tilslut pumpen og start den.

For at pumpen skal fungere effektivt, bør du vente 2-3 minutter efter du har startet pumpen.

- i** Du kan få brug for at se i brugervejledningen til pumpen når du skal tilslutte vandet.
- i** Det er ikke nødvendigt at anvende et vandfilter hvis du bruger en kande.
- i** Hvis du bruger en kande, er det nødvendigt med en pumpe.



Tilslutning af vandrøret til koldtvalsledning.

(i visse modeller)

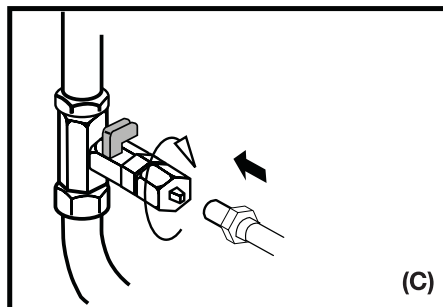
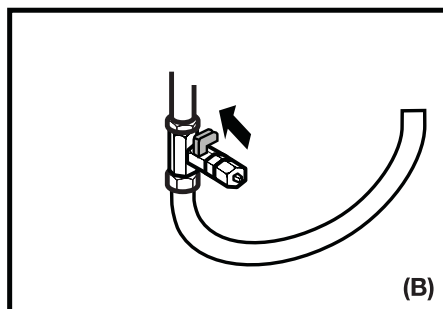
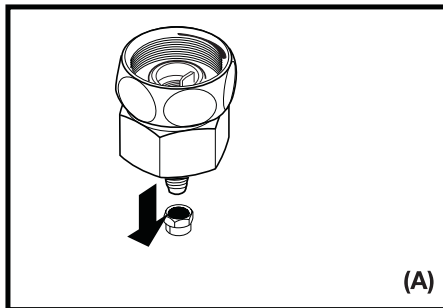
Hvis du vil tilslutte dit køleskab til koldtvalsledning, skal du tilslutte en almindelig 1/2"-tilslutningsventil der passer til koldtvalsforsyningen i dit hus. Hvis denne ventil ikke er tilgængelig, eller hvis du ikke er sikker, skal du konsultere en kvalificeret VVS-installatør.

1. Adskil samleren fra haneforbindingssdelen. (Figur A)
2. Tilslut haneforbindingen til 1/2"-ventilen som vist på figuren. (Figur B)
3. Efter du har placeret vandrøret i samleren, skal du tilslutte haneforbindingen og sætte på i hanen som vist på figuren. (Figur C)
4. Stram samleren manuelt. Hvis der er en læk, skal du bruge en nøgle eller en tang til at stramme samleren.

⚠ Forsigtig: Fastgør vandrøret til egnede punkter vha. af de medfølgende rørbøjler for at undgå skade eller flytning eller uforsætlig afbrydelse.

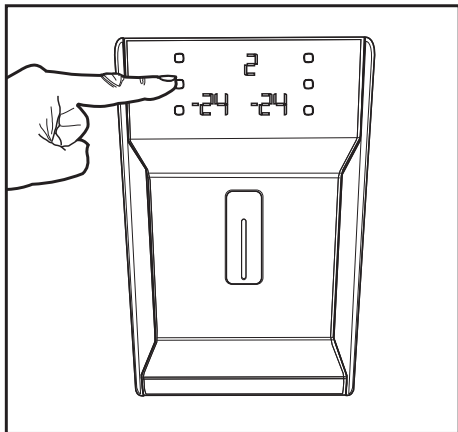
⚠ Forsigtig: Når vandventilen er tændt, skal du sørge for, at ikke er nogen lækage i nogen af de to tilslutningspunkter på vandrøret. I tilfælde af en læk skal du slukke for ventilen med det samme og stramme alle samlinger igen vha. af en skruenøgle eller en tang.

⚠ Forsigtig: Sørg for at den almindelige 1/2"-ventil der får vand fra koldtvalsforsyningen er tilgængelig og helt slukket.

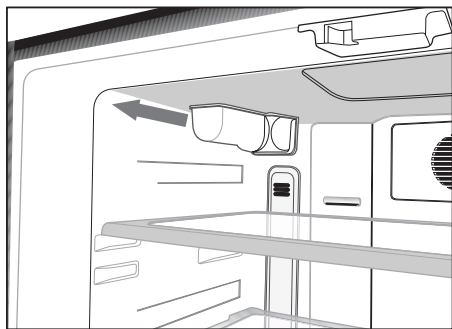


For at fastgøre vandfilteret skal du følge nedenstående instruktioner ved at læse medfølgende figurer:

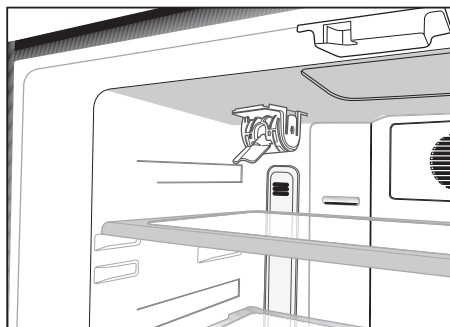
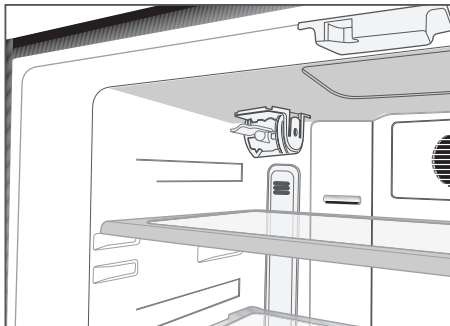
1. Tryk på knappen til afriming på displayet.



2. Fjern filterdækslet i køleskabet ved at trække det fremad.



3. Tag dækslet til vandfilterets omføring ud ved at dreje det nedad.



⚠ Forsigtig: Sørg for at "Ice off" er aktiveret, inden bypass dækslet tages ud.

Bemærk: Det er normalt, der der drypper et par vanddråber, når dækslet er taget ud.

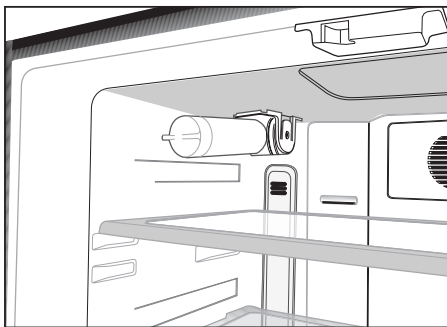
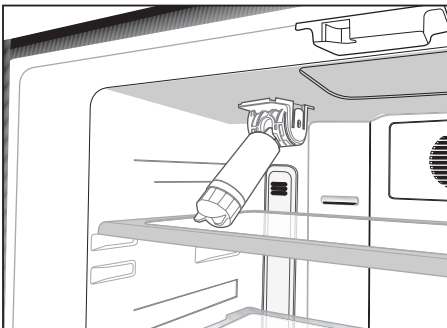
4. Fjern låget oven på vandfilteret og anbring det som vist på figuren og drej det opad for at låse det.
5. Tryk igen på afrimningsknappen på displayet for at komme ud af denne tilstand.

Vandfilteret bør udskiftes hvert halve år. Hvis du vil have tiden for hvornår filteret skal skiftes regnet ud automatisk og modtage en advarsel ved slutningen af perioden, skal du læse afsnittet "Automatisk beregning af filteret brugstid".

Vandfilteret skal fjernes som vist på figuren når det skal udskiftes, eller ikke længere skal bruges, og omføringdækslet skal sættes på. Sørg for at Ice Off-tilstanden er aktiveret før det fjernes.

⚠ Forsigtig: Vandfilteret renser nogle fremmedlegemer i vandet. Det renser ikke vandet for mikroorganismer.

⚠ Forsigtig: Ice Off knappen skal altid trykkes på under udskiftning af vandfilteret eller installation af by-pass dækslet.



Inden is/vandbeholderen anvendes første gang

i Vandledningstryk må ikke komme under 1 bar.

i Vandledningstryk må ikke komme under 8 bar.

i Der skal benyttes pumper hvis vandtrykket falder til under 1 bar, eller hvis der benyttes en kande.

i Køleskabets vandsystem skal være tilsluttet koldtvalsledning. Det må ikke være tilsluttet varmtvalsledning.

i Måske kan du ikke få vand, når køleskabet starter op. Dette er forårsaget af luft i systemet. For at tømme luft af systemet skal du trykke på Dispenser pælen i perioder af 1 minut, indtil der kommer vand fra dispensereren. Vandflowet kan være uregelmæssigt i starten. Uregelmæssig vandflow vil blive normaliseret, når luften er taget ud af systemet.

i Efter køleskabet tages i brug første gang skal der gå ca. 12 timer før der er koldt vand.

i Vandledningstryk skal være mellem 1-8 bar for at Is-/Vanddispenser kan arbejde jævnt. For at finde ud af dette skal du kontrollere, at 1 glas vand (100 cm³) kan fyldes på 10 sekunder.

i De første 10 glas vand bør ikke drikkes.

i Ca. de 30 første isterninger, der fås fra isdispenser, må ikke bruges.

i Benyt altid et vandfilter når en kande ikke bruges.

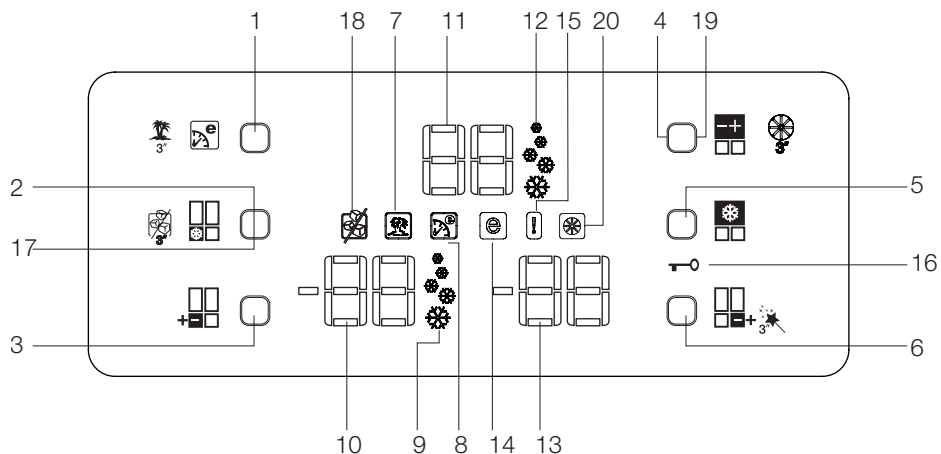
4 Tilberedning

- i** Køleskabet skal installeres mindst 30 cm væk fra varmekilder, som f.eks. kogeplader, ovne, radiatorer og brændeovne, og mindst 5 cm væk fra elektriske ovne, og det bør ikke placeres i direkte sollys.
- i** Den omgivende temperatur i det rum, hvor køleskabet installeres, bør være mindst 10°C. For at køleskabet skal være effektivt, anbefales det ikke at betjene det under koldere forhold.
- i** Sørg for at den indvendige del af køleskabet er grundigt rengjort.
- i** Hvis der skal installeres to køleskabe ved siden af hinanden, bør der være mindst 2 cm imellem dem.
- i** Når du lader køleskabet køre første gang, skal du overholde følgende instruktioner de første 6 timer.
 - Lågen skal ikke åbnes ofte.
 - Det skal køre tomt uden nogen form for mad i det.
 - Tag ikke køleskabet ud af stikkontakten. Hvis der forekommer strømudfald uden for din kontrol, så læs advarslerne under afsnittet "Anbefalede løsninger ved problemer".
- i** Den originale emballage og skummaterialerne bør gemmes for fremtidig transport eller flytning.

5 Anvendelse af køleskabet

Indikatorpanel

Med dette touch-kontrol indikatorpanel kan du indstille temperaturen uden at åbne døren til køleskabet. Du skal blot røre den pågældende knap med fingeren for at indstille temperaturen.



1. Økoekstra/Ferieknap
2. Hurtig-frys knap
3. Fryser - Knap til temperaturjustering
4. Køleskab- Knap til temperaturjustering
5. Hurtig-køl knap
6. Flexizone - Knap til temperaturjustering
7. Indikator for feriefunktion
8. Indikator for økoekstrafunktion
9. Indikator for Hurtigfrysfunktion
10. Indikator for frysertemperatur
11. Indikator for køleskabstemperatur
12. Indikator for hurtig-køl funktion
13. Flexizone Indikator for temperaturjustering
14. Indikator for sparetilstand
15. Indikator for fejltilstand
16. Indikator for tastelås
17. Afrimningsknap
18. Is-fra indikator
19. Afbryd filterudskiftningsadvarsel
20. Filterudskiftningsvarselsindikator

1. Økoekstra/Ferieknap

Tryk kort på denne knap for at slå økoekstra funktionen til. Tryk og hold knappen nede i 3 sek. for at aktivere feriefunktionen. Tryk på knappen igen for at slå den valgte funktion fra.

2. Hurtig-frys knap

Tryk kort på denne knap for at slå hurtigfrys funktionen til. Tryk på knappen igen for at slå den valgte funktion fra.

3. Fryser - Knap til temperaturjustering

Tryk på denne knap for at indstille fryserummets temperatur til hhv. -18, -20, -22 og -24, -18. Tryk på denne knap for at indstille den ønskede temperatur for fryseren.

4. Køleskab- Knap til temperaturjustering

Tryk på denne knap for at indstille køleskabsrummets temperatur til hhv. 8, 6, 4 og 2, 8. Tryk på denne knap for at indstille den ønskede temperatur for køleskabet.

5. Hurtig-køl knap

Tryk kort på denne knap for at slå hurtigkølfunktionen til. Tryk på knappen igen for at slå den valgte funktion fra.

6. Flexizone - Knap til temperaturjustering

Du kan indstille flexizonen til enten fryser eller køler. Tryk og hold denne knap nede i lang tid (3 sek) for at indstille flexizonen til fryser eller køler. Den er indstillet til fryser fra fabrikken.

Hvis flexizonen er indstillet til fryser, vil temperaturen i flexizonen ændres til hhv. -18, -20, -22, -24, -18 hver gang du trykker på denne knap. Hvis flexizonen er indstillet til køler, vil temperaturen i flexizonen ændres til hhv. 10, 8, 6, 4, 2, 0, -6 hver gang du trykker på denne knap.

7. Indikator for feriefunktion

Indikerer at feriefunktionen er aktiveret. Når denne funktionen er aktiveret, vil "- -" blive vist i køleskabets indikator, og kølerummet vil ikke blive kølet ned. Andre rum køles i henhold til den temperatur der er indstillet.

Tryk på den relevante knap igen for at slå denne funktion fra.

8. Indikator for økoekstrafunktion

Den indikerer at økoekstrafunktionen er aktiveret. Når denne funktion er aktiveret, vil køleskabet automatisk finde ud af hvornår det bruges mindst, og en energieffektiv køling vil blive aktiveret i disse perioder. Økonomiindikatoren er aktiveret mens energieffektiv køling finder sted.

Tryk på den relevante knap igen for at slå denne funktion fra.

9. Indikator for Hurtigfrysfunktion

Den indikerer at hurtigfrysfunktionen er aktiveret. Brug denne funktion når du anbringer friske madvarer i fryseren, eller når du har brug for is. Når denne funktion er aktiveret, vil køleskabet køre en bestemt tid.

Tryk på den relevante knap igen for at slå denne funktion fra.

10. Indikator for frysertemperatur

Den indikerer temperaturindstillingen for fryseren.

11. Indikator for køleskabstemperatur

Indikerer temperaturindstillingen for køleskabet.

12. Indikator for hurtig-køl funktion

Indikerer at hurtigkølfunktionen er aktiveret. Brug denne funktion når du anbringer friske madvarer i køleskabet, eller når du har brug for hurtigt at nedkøle din mad. Når denne funktion er aktiveret, vil køleskabet køre 2 timer uden at stoppe.

Tryk på den relevante knap igen for at slå denne funktion fra.

13. Flexizone Indikator for temperaturjustering

Den indikerer temperaturindstillingen for flexizonen.

14. Indikator for sparetilstand

Indikerer at køleskabets energieffektive tilstand er aktiveret. Frysertemperatur Denne indikator vil være aktiveret hvis funktionen er indstillet til -18, eller energieffektiv køling er aktiveret på grund af økoekstrafunktionen.

15. Indikator for fejltilstand

Hvis køleskabet ikke køler ordentligt, eller hvis der er en sensorfejl, vil denne indikator lyse. Når denne indikator lyser, vil et "E" blive vist på fryserens temperaturindikator, og tal som "1,2,3..." vil blive vist på køleskabets temperaturindikator. Tallene på indikatoren giver oplysninger om fejlen til servicepersonalet.

16. Indikator for tastelås

Brug denne funktion hvis du ikke ønsker at temperaturindstillingen bliver ændret. Tryk på hurtigkølknappen og knappen til temperaturindstilling for flexizonen på en gang i lang tid (3 sek) for at aktivere denne funktion.

Tryk på de relevante knapper igen for at slå denne funktion fra.

17. Afrimningsknap

For at stoppe isdannelsen skal du trykke på afrimningsknappen i 3 sekunder.

Når afrimning er valgt, vil der ikke komme noget vand ind i fryseboksen.

Dog kan der være noget is tilbage i fryseboksen der kan stamme herfra. For at genstarte isdannelsen skal du trykke på afrimningsknappen i 3 sekunder.

18. Indikator for afrimning

Hvis du ikke ønsker is i køleskabet, skal du benytte denne funktion. Du kan benytte denne funktion ved at trykke på afrimningsknappen i 3 sekunder.

19. Afbryd filterudskiftningsadvarsel

Køleskabets filter skal udskiftes hver 6. måned. Dit køleskab beregner denne tid automatisk, og filterudskiftningsadvarselsindikatoren lyser når filterets tid er brugt. Tryk på afbryd filterudskiftningsadvarselsknappen 3 sekunder for at få køleskabet til at beregner den nye filtertid automatisk efter at udskifte filteret.

20. Filterudskiftningsvarselsindikator

Når filterets tid er brugt, vil filterudskiftningsadvarselsindikatoren lyse.

Alarm for åben dør:

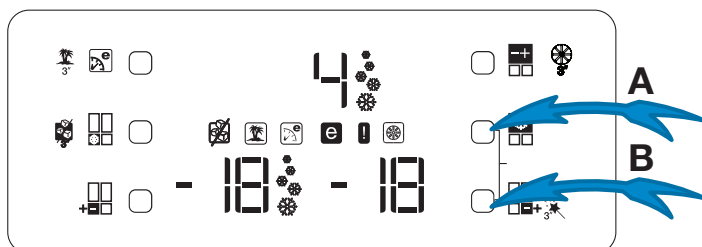
Hvis døren til fryser eller flexizonen er åben mere end 1 minut, vil en hørbar alarm for åben dør blive aktiveret.

Tryk på en hvilken som helst knap på indikatoren, eller luk døren for at slukke alarmen.

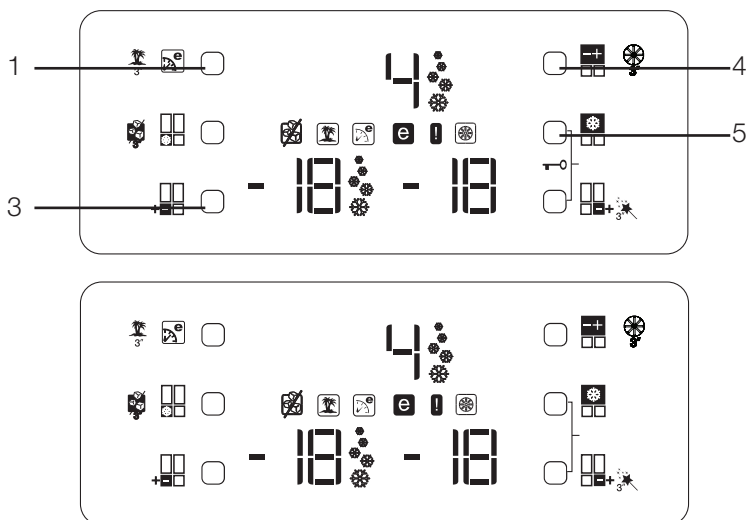
Hvad du skal gøre for at få filtertiden beregnet automatisk

(For produkter der er tilsluttet hovedvandtilførslen og udstyret med filter)

1- Efter køleskabet er tilsluttet tryk på knapperne A og B samtidig for at aktivere tastelåsen.



2- Tryk på henholdsvis Øko-ekstra (1), indstilling af køleskabstemperatur (4), hurtigkøl (5) og indstilling af fryserumstemperaturen (3).



Hvis du trykker på knapperne i den rigtige rækkefølge, vil symbolet for tastelås forsvinde, brummen vil blive aktiveret kortvarigt, og filterudskiftningsadvarselslampe lyser. Tryk på afbryd filterudskiftningsadvarselsknappen (nr. 19 på displaybeskrivelserne) efter at udskifte filteret for at filtertiden beregnes automatisk.

i Hvis filtertiden beregnes automatisk, vil filterudskiftningsindikatoren lyse få sekunder efter produktet er tilsluttet.

i **Automatisk beregning af filtertiden er ikke aktiveret fra fabrikken. Det skal aktiveres på produkter udstyret med filter.**

i **Gentag proceduren for produkter hvor den automatiske beregning af filtertiden er aktiveret for at afbryde beregningen af filtertiden.**

Æggebakke

Du kan installere æggeholderen på den ønskede låge eller hylde.

Opbevar aldrig æggeholderen i fryseren.

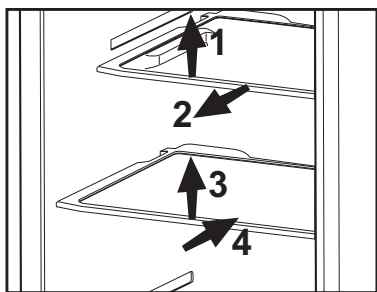
Glidehylder

Glidehylder kan trækkes ud ved forsigtigt at løfte dem op foran og bevæge dem frem og tilbage. De kommer til et punkt, når de trækkes fremad, der gør det muligt for dig at nå fødevarerne, der er placeret bagest på hylden. Når den trækkes ud efter at have løftet op en smule ved det andet punkt, frigives hylden.

Der bør holdes godt fast på bunden af hylden for at forhindre den i at vælte.

Hylden placeres på skinnerne på køleskabets sider ved at bringe det til et lavere eller højere niveau.

Hylden bør skubbes tilbage for at placere den rigtigt.

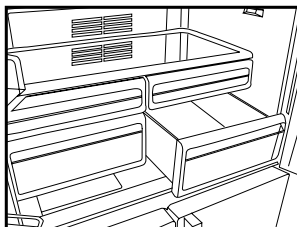


Grøntsagssrum

Dit køleskabs grøntsagsskuffe er specielt fremstillet til at holde dine grøntsager friske, uden de mister deres fugtighed.

Til dette formål cirkulerer der kold luft rundt om hele grøntsagsskuffen.

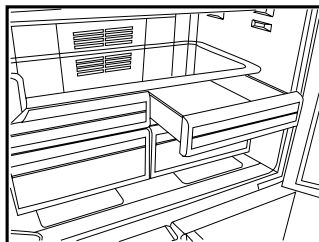
Fjern dørhylderne på højde med grøntsagsskuffen før denne fjernes. Du kan fjerne grøntsagsskufferne som vist på figuren.



Køleafdeling

Køleafdelingerne gør madvarer der skal fryses klar til at blive frosset. Du kan også bruge disse rum til at opbevare fødevarer ved en lav temperatur nogle få grader under køleskabet.

Du kan øge den indre volumen af køleskabet ved at fjerne et af rummene til snack. For at gøre dette skal du trække rummet imod dig selv, rummet vil støtte mod stopklodsen og stoppe. Rummet frigøres når du løfter det ca. 1 cm og trækker det mod dig selv.



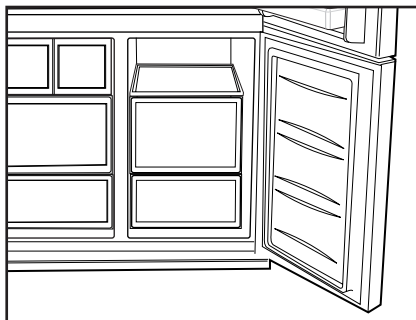
Flytbar midtersektion

Formålet med den flytbare midtersektion er at forhindre at den kolde luft inden i køleskabet slipper ud.

- 1- Tætningen aktiveres når lågepakningen trykkes mod overfladen på den flytbare midtersektion mens dørene til køleskabet er lukkede.
- 2- En anden årsag til at dit køleskab har en drejelig midtersektion er at køleskabets rumindhold bliver større. Almindelige midtersektioner optager plads i køleskabet der ikke kan bruges.
- 3- Den flytbare midtersektion lukkes når køleskabets venstre dør lukkes.
- 4- Den må ikke åbnes manuelt. Den flyttes ved plastikdelen når døren lukkes.

Flexizone opbevaringsrum

Flexizone opbevaringsrum i dit køleskab kan anvendes som du ønsker ved at indstille den til enten køletemperaturer (2/4/6/8 °C) eller til frysetemperaturer (-18/-20/-22/-24). Du kan fastholde den ønskede temperatur med "knappen til temperaturindstilling for flexizone opbevaringsrum". Temperaturen for flexizone opbevaringsrum kan indstilles til 0 og 10 grader for køleskabstemperaturen og til -6 grader for frysertemperaturen. 0 grader bruges til at opbevare delikate produkter længere, og -6 grader bruges til at opbevare kød i op til 2 uger i en tilstand, hvor det nemt kan skæres ud.



i Funktionen med at skifte til køle- eller fryserum aktiveres med et køleelement placeret i den lukkede del (kompressorafdelingen) bag ved køleskabet. Under denne operation høres en lyd, der minder om sekunderne fra et analogt ur. Dette er normalt og ikke en fejl.

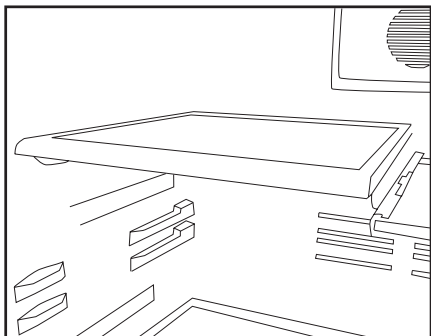
Blåt lys

Madvarer, der opbevares i grøntsagsskufferne, der er oplyst med et blått lys, fortsætter deres fotosyntese vha. bølgelængdeeffekten fra det blå lys, og på den måde bevares deres friskhed, og deres vitaminindhold forøges.



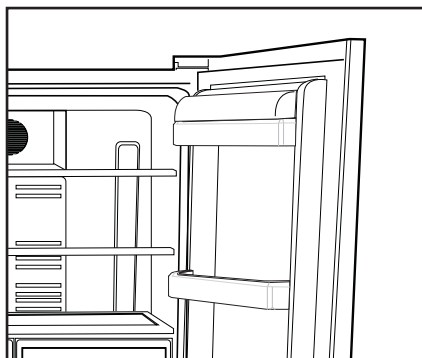
Glidehylder med bøjer bagpå

Glidehylder med bøjer bagpå kan flyttes frem og tilbage. Højden på disse hylder kan justeres ved at flytte og installere dem ovenover eller nedenunder. Løft hylden lidt op og træk den mod dig selv for at fjerne den.



Hylde til smør og ost

Du kan opbevare f.eks. smør, ost og margarine i denne afdeling der har et låg.

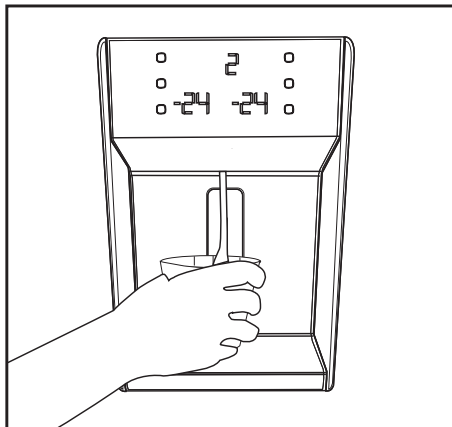


Anvendelse af vandkilden

Advarsler

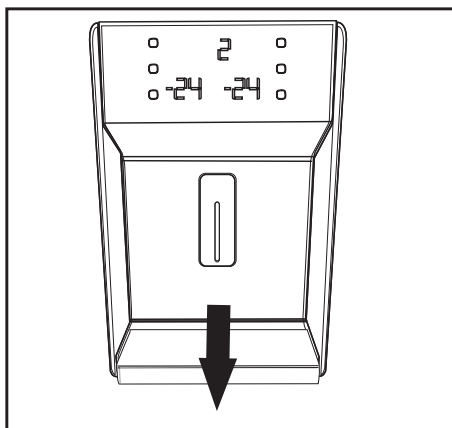
Det er normalt, at de første par glas vand, der er taget fra dispenseren, er varme.

I tilfælde af, at vanddispenseren ikke har været brugt jævnligt, skal der tømmes en tilstrækkelig mængde vand fra dispenseren for at få frisk vand.



Spildebakke

Vanddråber, der drypper under brug, akkumuleres i spildebakken. Du kan fjerne spildebakken ved at trække den mod dig selv eller trykke på kanten (afhænger af model). Du kan fjerne vandet med en ske eller en blød klud.



Minibar

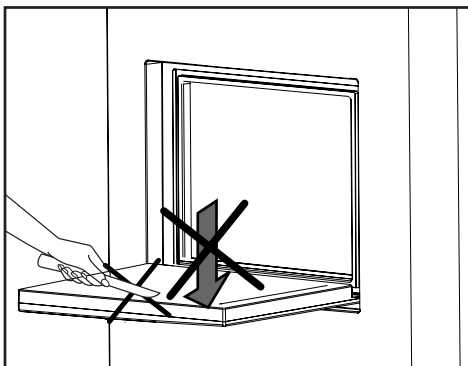
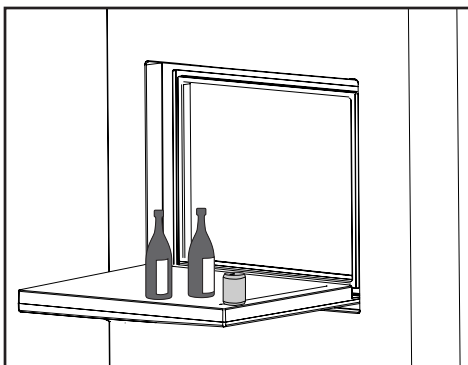
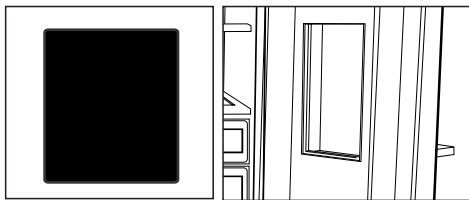
Minibardøren giver dig en ekstra komfort når du bruger køleskabet. Du har adgang til hyldedøren i køleskabet uden at åbne køleskabsdøren; takket være denne funktion har du nem adgang til de mad- og drikkevarer du ofte bruger. Eftersom det ikke er nødvendigt at åbne døren til køleskabet så ofte, vil køleskabets strømforbrug falde.

For at åbne døren til minibaren skal du trykke din hånd mod minibaren og trække den tilbage.

Når døren til minibaren er åben, kan du bruge indersiden af døren som bord hvor du kan sætte flasker og glas i kortere tid som vist på tegningen.

⚠ Forsigtig: Du må aldrig fortage dig noget der kan lægge pres på døren, såsom sidde på den, klatre på den, hænge på den, og man bør heller ikke anbringe tunge ting på den. Dette kan skade køleskabet eller forårsage personskader.

⚠ Forsigtig: Brug aldrig døren til minibaren som skærebæret, og vær omhyggelig med at skarpe genstande ikke skader døren.



6 Rengøring og vedligeholdelse

- ⚠ Brug aldrig benzin, benzen eller lignende substanser til rengøring.
- ⚠ Vi anbefaler, at apparatet tages ud af stikkontakten inden rengøring.
- ℹ Brug aldrig skarpe, slibende instrumenter, sæbe, husholdningsrengøringsmidler, vaskepulver eller polérvoks til rengøring.
- ℹ Vask køleskabskabinettet i lunkent vand og tør det med en klud.
- ℹ Anvend en fugtig klud vredet op i en opløsning af én teskefuld natriumbikarbonat (tvekulsurt natron) til 1/2 liter vand til rengøring af indersiderne, og tør efter med en klud.
- ⚠ Sørg for at der ikke kommer vand ind i lampehuset eller andre elektriske genstande.
- ⚠ Hvis køleskabet ikke skal benyttes i længere tid: Tag stikket ud, fjern alle madvarer, rengør det, og lad døren stå på klem.
- ℹ Kontroller gummilisterne jævnligt for sikre, at de er rene og fri for madpartikler.
- ℹ For at fjerne dørhylde tømmes indholdet ud, hvorefter dørhylden ganske enkelt løftes op fra sin plads.

Beskyttelse af plasticoverflader

- ℹ Put ikke flydende olier eller olie-tilberedte måltider i køleskabet i ulukkede beholdere, da de ødelægger køleskabets plasticoverflader. Hvis der spildes eller smøres olie på plasticoverfladerne, skal den relevante del af overfladen renses og skylles med det samme med varmt vand.

7 Anbefalede løsninger på problemerne

Læs denne liste igennem, inden du ringer efter service. Det kan spare dig for tid og penge. Denne liste indeholder ofte forekommende reklamationer, der ikke opstår af defekt udførelse eller materialebrug. Det er muligt, at nogle af de her beskrevne funktioner ikke findes i dit produkt.

Køleskabet virker ikke
<ul style="list-style-type: none">• Er køleskabet sat rigtigt i stikkontakten? Sæt stikket i kontakten i væggen.• Er sikringen, som køleskabet er tilsluttet, eller hovedsikringen sprunget? Kontroller sikringen.
Kondition på siden af køleskabet (MULTIZONE, KØLEKONTROL og FLEXIZONE).
<ul style="list-style-type: none">• Meget kolde omgivelser. Ofte åbning og lukning af lågen. Højt fugtindhold i omgivelserne. Opbevaring af mad, der indeholder væske, i åbne beholdere. Lågen står på klem. Sæt termostaten på koldere grader.• Reducér tiden, hvor lågen står åben, eller brug den mindre ofte.• Dæk maden, der opbevares i åbne beholdere, til med passende materiale.• Tør kondensvandet af vha. en tør klud og kontroller, om det vedvarer.
Kompressoren kører ikke.
<ul style="list-style-type: none">• Beskyttelsestermo fra kompressoren vil blæse ud under pludselig strømudfald eller tilkoblinger/frakoblinger, da kølemiddeltrykket i køleskabets kølesystem ikke er bragt i balance endnu. Køleskabet vil starte med at køre efter ca. 6 minutter. Ring efter service, hvis køleskabet ikke starter efter denne periode.• Køleskabet er ved at afrime. Dette er normalt for et køleskab med fuldautomatisk afrimning. Afrimning foregår med jævne mellemrum.• Køleskabsstikket er ikke sat i kontakten. Sørg for, at stikket er sat ordentligt i kontakten.• Er temperaturindstillingerne foretaget rigtigt?• Strømmen kan være afbrudt.

Køleskabet kører ofte eller i lang tid.

- Det nye køleskab kan være bredere end det foregående. Dette er helt normalt. Store køleskabe arbejder i længere perioder.
- Den omgivende rumtemperatur kan være høj. Dette er helt normalt.
- Køleskabet kan have været sat til for nylig eller have været fyldt op med mad. Komplet nedkøling af køleskabet kan vare et par timer længere.
- Store mængder varm mad kan være blevet sat ind i køleskabet fornylig. Varm mad medfører, at køleskabet skal køre i længere tid, indtil maden når den ønskede temperatur.
- Lågerne kan have været åbnet jævnlige eller have stået på klem i lang tid. Den varme luft, der er kommet ind i køleskabet, får køleskabet til at køre i længere perioder. Undlad at åbne lågen så ofte.
- Fryserens eller køleskabets dør kan have stået på klem. Kontroller om lågerne er lukket tæt.
- Køleskabet er indstillet meget koldt. Indstil køleskabstemperaturen højere, indtil temperaturen er tilpas.
- Køleskabets eller fryserens lågepakning kan være snavset, slidt, ødelagt eller ikke sat ordentligt på. Rengør eller udskift pakningen. Beskadiget/brækket pakning forårsager, at køleskabet kører i længere perioder for at vedligeholde den aktuelle temperatur.

Frysertemperaturen er meget lav, mens køleskabstemperaturen er tilpas.

- Frysertemperaturen er indstillet meget koldt. Juster frysertemperaturen varmere og kontroller.

Køleskabstemperaturen er meget lav, mens fryserstemperaturen er tilpas.

- Køleskabstemperaturen er indstillet til en meget lav temperatur. Juster køleskabstemperaturen varmere og kontroller.

Mad, der opbevares i køleskabet, fryser.

- Køleskabstemperaturen er indstillet til en meget lav temperatur. Juster køleskabstemperaturen varmere og kontroller.

Temperaturen i køleskab eller fryser er meget høj.

- Køleskabstemperaturen er indstillet til en meget lav temperatur. Køleskabsindstillingen har virkning på fryserens temperatur. Skift køleskabets eller fryserens temperatur, indtil køleskabs- eller frysertemperatur når et tilpas niveau.
- Lågerne kan have været åbnet jævnlige eller have stået på klem i lang tid.
- Døren kan have stået på klem, luk døren helt.
- Store mængder varm mad kan være blevet sat ind i køleskabet fornylig. Vent til køleskabet eller fryseren når den ønskede temperatur.
- Køleskabet kan være taget ud af kontakten fornylig. Komplet nedkøling af køleskabet tager tid.

Funktionslyden øges, når køleskabet kører.
<ul style="list-style-type: none"> Egenskaberne for køleskabets driftsydelse kan ændre sig alt efter ændringerne i den omgivende temperatur. Det er normalt og ikke en fejl.
Vibrationer eller støj.
<ul style="list-style-type: none"> Gulvet er ikke lige, eller det er svagt. Køleskabet vipper, når det flyttes langsomt. Sørg for, at gulvet er lige, stærkt og kapabelt til at bære køleskabet. Støjen kan være forårsaget af de genstande, der er lagt i køleskabet. Ting oven på køleskabet skal fjernes.
Der er støj som væske, der løber over eller sprøjter.
<ul style="list-style-type: none"> Væske- og gasstrømning sker i henhold til køleskabets driftsprincipper. Det er normalt og ikke en fejl.
Der er en støj som en vind, der blæser.
<ul style="list-style-type: none"> Ventilatorer bruges til at køle køleskabet. Det er normalt og ikke en fejl.
Kondensvand på køleskabets indervægge.
<ul style="list-style-type: none"> Varmt og fugtigt vejr øger isdannelse og udsvedning. Det er normalt og ikke en fejl. Dørerne kan have stået på klem, sørg for de er helt lukkede. Lågerne kan have været åbnet jævnlige eller have stået på klem i lang tid.
Der opstår fugt på ydersiden af køleskabet eller mellem lågerne.
<ul style="list-style-type: none"> Der kan være fugtighed i luften hvilket er normalt i fugtigt vejr. Når fugtigheden er mindre, vil kondensen forsvinde.
Dårlig lugt inde i køleskabet.
<ul style="list-style-type: none"> Køleskabets skal rengøres indvendigt. Rengør køleskabet indvendigt med en svamp, varmt vand eller kulstofholdigt vand. Nogle beholdere eller emballeringsmaterialer kan forårsage lugten. Brug en anden beholder eller et andet mærke indpakningsmateriale.
Døren lukker ikke.
<ul style="list-style-type: none"> Madbeholdere forhindrer lågen i at lukke. Omplacer pakkerne, der blokerer lågen. Køleskabet står ikke helt lodret på gulvet og vipper når det flyttes lidt. Justér højdeskruerne. Gulvet er ikke lige eller stærkt. Sørg for, at gulvet er lige, stærkt og kapabelt til at bære køleskabet.
Grøntsagsskuffer sidder fast.
<ul style="list-style-type: none"> Maden berører måske skuffens top. Omarranger maden i skuffen.

Por favor, leia primeiro este manual!

Caro cliente,

Esperamos que o seu produto, que foi produzido em modernas instalações e testado através de rigorosos controlos de qualidade, ofereça-lhe um serviço efectivo.

Para isso, recomendamos que leia cuidadosa e inteiramente o manual do seu produto antes de utilizá-lo e guarde-o para futuras consultas.




Este manual

- Ajudá-lo-á a utilizar o seu equipamento de forma rápida e segura.
- Leia o manual antes de instalar e operar o seu equipamento.
- Siga as instruções, especialmente as relativas à segurança.
- Guarde o manual num local acessível, já que poderá precisar dele mais tarde.
- Além disso, leia também os outros documentos fornecidos com o seu produto.

Observe que este manual também pode ser válido para outros modelos.

Os símbolos e as suas descrições

Este manual de instruções contém os seguintes símbolos:

-  Informações importantes ou dicas úteis de utilização.
-  Aviso sobre as condições de risco para a vida e a propriedade.
-  Aviso sobre a voltagem eléctrica.

Reciclagem

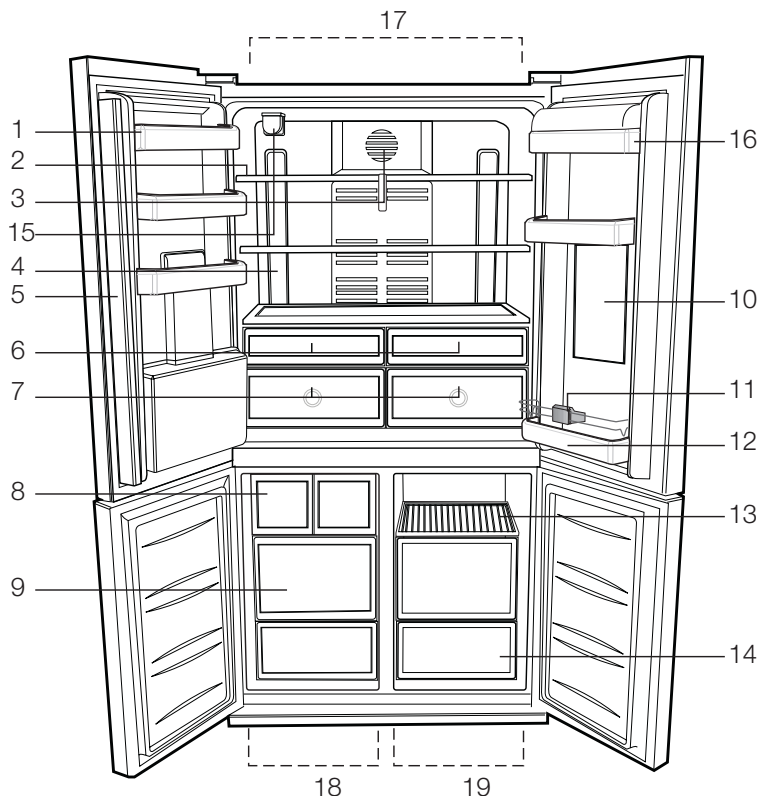


Este produto ostenta o símbolo de classificação selectiva para resíduos de equipamentos eléctricos e electrónicos (REEE). Isto significa que este produto deve ser tratado de acordo com a Directiva Europeia 2002/96 EC para que seja reciclado ou desmantelado afim de minimizar o seu impacto no meio ambiente. Para mais informações, contacte por favor as suas autoridades locais ou regionais.

Os produtos electrónicos não incluídos neste processo de classificação selectiva são potencialmente perigosos para o ambiente e para a saúde humana devido à presença de substâncias perigosas.

1 O frigorífico	3	4 Preparação	16
2 Avisos importantes de segurança	4	5 Utilizar o seu frigorífico	17
Uso pretendido.....	4	Painel indicador	17
Para produtos com um dispensador de água;.....	6	Alarme da porta aberta:	20
Segurança com crianças	6	O que deve ser feito para que o tempo de utilização do filtro seja calculado automaticamente	21
Aviso HCA.....	6	Prateleiras de estrutura deslizante ...	22
O que se pode fazer para economizar energia	6	Tabuleiro para ovos	22
3 Instalação	7	Gaveta para frutos e legumes.....	22
Pontos a serem considerados ao transportar novamente o seu frigorífico.....	7	Compartimento de refrigeração	22
Antes de funcionar o seu frigorífico	7	Compartimento de armazenamento da Zona Flexi	23
Ligação eléctrica	7	Secção do meio móvel.....	23
Eliminação da embalagem.....	8	Luz azul.....	23
Eliminação do seu frigorífico velho	8	Prateleiras deslizantes da estrutura com suportes traseiros	24
Colocação e instalação	8	Secção de manteiga e queijo.....	24
Ajuste do nivelamento do pavimento .	9	Usar a fonte de água	24
Ajustar o espaço entre a porta superior	9	Tabuleiro de derramamento	24
Instalação do filtro da água	11	Minibar	25
Ligação do tubo da água ao frigorífico.....	11	6 Limpeza e cuidados	26
Ligação da mangueira da água ao jarro	12	Protecção das superfícies plásticas	26
Ligação do tubo da água à linha de fornecimento de água fria	13	7 Soluções recomendadas para os problemas	27
Antes da primeira utilização do Dispensador de água	15		

1 O frigorífico



- | | |
|--|--|
| 1- Prateleiras da porta do compartimento do refrigerador | 10- Minibar |
| 2- Prateleiras de vidro do compartimento do frigorífico | 11- Suporte para garrafas |
| 3- Tampa do difusor | 12- Prateleira para garrafas |
| 4- Lentes de iluminação | 13- Prateleiras do compartimento de armazenagem de alimentos |
| 5- Secção do meio móvel | 14- Compartimentos para armazenagem de alimentos |
| 6- Compartimento de refrigeração | 15- Filtro da água |
| 7- Gaveta para frutos e legumes | 16- Prateleira de manteiga e queijo |
| 8- Icematic | 17- Compartimento do refrigerador |
| 9- Compartimentos para guardar alimentos congelados | 18- Compartimento do congelador |
| | 19- Zona Flexi |

ⓘ As figuras que aparecem neste manual de instruções são esquemáticas e podem não corresponder exactamente ao seu produto. Se as partes referidas não estiverem incluídas no produto que adquiriu, é porque são válidas para outros modelos.

2 Avisos importantes de segurança

Por favor, reveja as informações seguintes. A não-observância destas informações pode causar ferimentos ou danos ao material. Caso contrário, todas as garantias e compromissos de fiabilidade tornar-se-ão inválidos.

A vida útil da unidade que adquiriu é de 10 anos. Este é o período para manter as peças de reposição exigidas para a unidade a funcionarem conforme descrito.

Uso pretendido

Este produto está concebido para ser usado

- áreas internas e fechadas como casas;
- em ambientes de trabalho fechados, como lojas e escritórios;
- em áreas de hospedagem fechadas, como casas rurais, hotéis, pensões.
- Este produto não deve ser usado em exteriores.

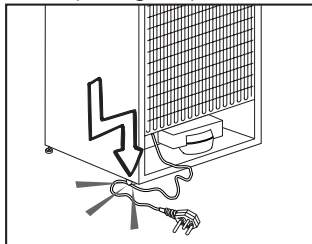
Segurança geral

- Quando quiser eliminar/desfazer-se do produto, recomendamos que consulte o serviço de assistência e os órgãos autorizados para obter mais informações.
- Consulte o seu serviço de assistência autorizado para todas as questões e problemas relativos ao frigorífico. Não tente reparar e nem permita que ninguém o faça sem notificar os serviços de assistência autorizados.
- Para produtos com um compartimento de congelador; Não coma cones de gelados e cubos de gelo imediatamente após retirá-los do compartimento do congelador! (Isto pode provocar queimaduras de frio na sua boca).
- Para produtos com compartimento de congelador; Não coloque bebidas líquidas enlatadas ou engarrafadas no compartimento do congelador. Caso contrário, podem rebentar.

- Não toque nos alimentos congelados; podem ficar presos à sua mão.
- Desligue o seu frigorífico da tomada antes da limpeza ou descongelação.
- O vapor e materiais de limpeza vaporizados nunca deverão ser utilizados nos processos de limpeza e descongelação do seu frigorífico. Em tais casos, o vapor poderá entrar em contacto com as partes eléctricas e provocar curto-circuito ou choque eléctrico.
- Nunca use as partes do seu frigorífico, tal como a porta, como meios de apoio ou degrau.
- Não utilize dispositivos eléctricos dentro do frigorífico.
- Não danifique as partes por onde circula a refrigeração, com ferramentas perfurantes ou cortantes. O refrigerante que pode explodir quando os canais de gás do evaporador, as extensões do tubo ou os revestimentos da superfície são perfurados, causa irritações na pele ou ferimentos nos olhos.
- Não cubra ou bloqueie os orifícios de ventilação do seu frigorífico com nenhum tipo de material.
- Os dispositivos eléctricos só devem ser reparados por pessoas autorizadas. As reparações realizadas por pessoas incompetentes causam riscos ao utilizador.
- Em caso de qualquer falha quer durante uma manutenção ou num trabalho de reparação, desligue a alimentação eléctrica do seu frigorífico, desligando o fusível correspondente ou retirando a ficha da tomada.
- Não puxe pelo cabo quando for retirar a ficha da tomada.
- Coloque as bebidas com teor alcoólico mais elevado bem fechadas e na vertical.
- Nunca guarde latas de aerossol inflamáveis e substâncias explosivas no frigorífico.

- Não utilize dispositivos mecânicos ou outros para acelerar o processo de descongelação. Siga apenas as instruções recomendadas pelo fabricante.
- Este produto não se destina a ser usado por pessoas com incapacidades físicas, sensoriais ou mentais ou sem conhecimento ou experiência (incluindo crianças), a menos que sejam supervisionadas por alguém responsável pela sua segurança ou que as instrua sobre o uso do produto.
- Não utilize um frigorífico avariado. Consulte o agente autorizado se tiver qualquer questão.
- A segurança eléctrica do seu frigorífico apenas poderá ser garantida se o sistema de ligação à terra da sua casa estiver em conformidade com as normas.
- A exposição do produto à chuva, neve, sol e vento é perigosa no que toca à segurança eléctrica.
- Para evitar qualquer perigo, contacte o serviço autorizado se o cabo eléctrico estiver danificado.
- Nunca ligue o frigorífico à tomada de parede durante a instalação. Caso contrário, poderá ocorrer perigo de morte ou ferimentos graves.
- Este frigorífico foi concebido unicamente para guardar alimentos. Não deverá ser utilizado para quaisquer outros fins.
- A etiqueta das especificações técnicas está localizada na parede esquerda no interior do frigorífico.
- Nunca ligue o seu frigorífico a sistemas de poupança de electricidade, pois podem danificá-lo.
- Se o frigorífico possuir luz azul, não olhe para ela com dispositivos ópticos.
- Para frigoríficos controlados manualmente, aguarde pelo menos 5 minutos para voltar a ligá-lo após uma falha eléctrica.
- Este manual de instruções deverá ser entregue ao novo proprietário do produto quando for dado/vendido a outros.

- Evite causar danos ao cabo eléctrico quando transportar o frigorífico. Dobrar o cabo pode causar incêndio. Nunca pouso objectos pesados no cabo eléctrico. Não toque na ficha com as mãos molhadas quando a introduz na tomada para ligar o produto.



- Não ligue o frigorífico à tomada, se a tomada de parede estiver solta.
- Não deverá ser vaporizado directamente nas partes interiores ou interiores do produto devido a razões de segurança.
- Para evitar risco de incêndio e explosão, não vaporize substâncias que contenham gases inflamáveis, tais como gás propano, etc., próximo ao frigorífico.
- Não coloque recipientes que contenham água sobre o topo do frigorífico, visto que tal poderá resultar em choque eléctrico ou incêndio.
- Não sobrecarregue o frigorífico com excesso de alimentos. Se sobrecarregado, os alimentos podem cair e feri-lo a si e danificar o frigorífico ao abrir a porta. Nunca coloque objectos no topo do frigorífico, visto que estes podem cair quando se abre ou fecha a porta do frigorífico.
- Como precisam de um controlo de temperatura exacta, as vacinas, medicamentos sensíveis ao aquecimento, materiais científicos, etc., não deverão ser guardados no frigorífico.
- Se não for utilizado por um longo tempo, o frigorífico deve ser desligado da tomada. Qualquer problema possível no cabo eléctrico poderá resultar em incêndio.

- A extremidade da ficha eléctrica deverá ser limpa regularmente, caso contrário, poderá provocar incêndio.
- A extremidade da ficha eléctrica deverá ser limpa regularmente com um pano seco; caso contrário, poderá provocar incêndio.
- O frigorífico pode mover-se se os pés não estiverem devidamente fixados ao piso. O ajuste seguro e apropriado dos pés ao piso pode impedir o frigorífico se mova.
- Ao transportar o frigorífico, não segure pelo puxador da porta. Caso contrário, pode quebrar.
- Se posicionar o seu frigorífico próximo de outro frigorífico ou arca frigorífica, a distância entre os dispositivos deve ser de pelo menos 8 cm. Caso contrário, as paredes laterais adjacentes podem humedecer.

Para produtos com um dispensador de água;

A pressão da conduta de água deve ser de no mínimo 1 bar. A pressão da conduta de água deve ser de no máximo 8 bar.

- Use apenas água potável

Segurança com crianças

- Se a porta possuir uma fechadura, a chave deverá ser mantida afastada do alcance das crianças.
- As crianças devem ser vigiadas para impedir que brinquem com o produto.

Aviso HCA

O sistema de arrefecimento do seu produto contém R600a:

Este gás é inflamável. Por isso, tenha cuidado em não danificar o sistema de arrefecimento e a tubagem durante o uso e transporte. No caso de algum dano, mantenha o seu produto longe de potenciais fontes de fogo que possam fazer com que o produto de incendeie e ventile o compartimento no qual a unidade

está colocada.

Ignore este aviso se o sistema de arrefecimento do seu produto contiver R134a:

O tipo de gás usado no produto está indicado na placa de características localizada na parede esquerda no interior do frigorífico.

Nunca elimine o seu produto no fogo.

O que se pode fazer para economizar energia

- Não deixe as portas do seu frigorífico abertas durante muito tempo.
- Não coloque alimentos ou bebidas quentes no seu frigorífico.
- Não sobrecarregue o seu frigorífico para que a circulação do ar no interior não seja dificultada.
- Não instale o seu frigorífico sob a luz solar directa ou próximo de aparelhos que emitem calor tais como fornos, máquinas de lavar louça ou radiadores.
- Tenha cuidado em manter os seus alimentos em recipientes fechados.
- Para produtos com um compartimento de congelador; Pode armazenar uma quantidade máxima de alimentos no congelador se remover a prateleira ou gaveta do congelador. O valor do consumo de energia indicado no seu frigorífico foi determinado removendo a prateleira do congelador ou a gaveta e com carga máxima. Não existe qualquer risco em utilizar uma prateleira ou gaveta de acordo com as formas e tamanhos dos alimentos a serem congelados.
- Descongelar os alimentos congelados no compartimento do frigorífico poupará energia e preservará a qualidade dos alimentos.

3 Instalação

- i** Por favor, lembre-se de que o fabricante não pode ser responsabilizado se não forem observadas as informações fornecidas no manual de instruções.

Pontos a serem considerados ao transportar novamente o seu frigorífico

1. O seu frigorífico deve ser esvaziado e limpo antes de ser transportado.
2. As prateleiras, acessórios, gaveta para frutas e legumes, etc. do seu frigorífico devem ser firmemente presos com fita adesiva, devido aos solavancos antes de voltar a empacotá-lo.
3. A embalagem deve ser amarrada com fitas grossas e cordas fortes e devem ser seguidas as normas de transporte indicadas na mesma.

i Lembre-se sempre que...

Todo material reciclado é uma fonte indispensável para a natureza e para os nossos recursos nacionais.

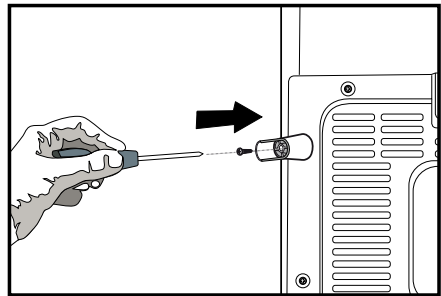
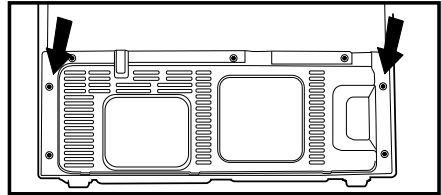
Se quiser contribuir para a reciclagem dos materiais da embalagem, pode obter mais informações nos organismos relativos ao ambiente ou junto das autoridades locais.

Antes de funcionar o seu frigorífico

Antes de iniciar a utilização do seu frigorífico, verifique o seguinte:

1. O interior do frigorífico está seco e o ar pode circular livremente na sua parte traseira?
2. Introduza os 2 calços plásticos na tampa da ventilação traseira, conforme mostrado na figura seguinte. Para tal, retire os parafusos do produto e use os fornecidos no mesmo saco.

Os calços plásticos proporcionarão a distância necessária entre o seu frigorífico e a parede, permitindo assim a livre circulação do ar.



3. Limpe o interior do frigorífico conforme recomendado na secção “Manutenção e limpeza”.
4. Ligue o frigorífico à tomada eléctrica. Quando a porta é aberta a respectiva luz interior liga.
5. Ouvirá um ruído quando o compressor começar a trabalhar. O líquido e os gases no interior do sistema de refrigeração também podem fazer algum ruído, mesmo que o compressor não esteja a funcionar, o que é perfeitamente normal.
6. As arestas da frente do frigorífico podem ficar quentes. Isto é normal. Estas arestas são projectadas para ficarem quentes, a fim de evitar a condensação.

Ligação eléctrica

Ligue o seu frigorífico a uma tomada de terra, que esteja protegida por um fusível com a capacidade apropriada.

Importante:

- ⚠ A ligação deve estar em concordância com os regulamentos nacionais.
- ⚠ A ficha do cabo de alimentação deve estar facilmente acessível após a instalação.
- ⚠ A voltagem e o fusível de protecção permitido estão indicados na secção “Especificações técnicas”.
- ⚠ A voltagem especificada deve ser igual à sua voltagem eléctrica.
- ⚠ Não devem ser usados cabos de extensão e fichas multiusos para a ligação.
- ⚠ Um cabo de alimentação danificado deve ser substituído por um electricista qualificado.
- ⚠ O equipamento não deve ser utilizado antes de ser reparado! Há risco de choque eléctrico!

Eliminação da embalagem

- ⚠ Os materiais de embalagem podem ser perigosos para as crianças. Guarde os materiais da embalagem fora do alcance das crianças ou elimine-os, classificando-os de acordo com as instruções sobre o lixo. Não os elimine juntamente com o lixo doméstico normal. A embalagem do seu frigorífico é produzida com materiais recicláveis.

Eliminação do seu frigorífico velho

Elimine a sua máquina velha sem causar qualquer perigo ao meio ambiente.

- ⚠ Pode consultar o seu revendedor autorizado ou o centro de recolha do lixo do seu município a respeito da eliminação do seu frigorífico.
- ⚠ Antes de se desfazer do seu frigorífico, corte a ficha eléctrica e, se houver trincos nas portas, deixe-os inutilizados, a fim de proteger as crianças contra qualquer perigo.

Colocação e instalação

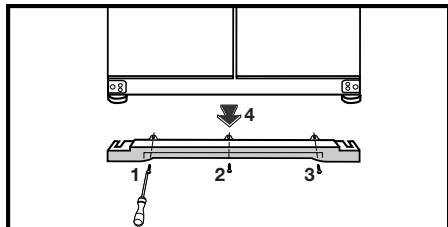
⚠ Cuidado: Nunca ligue o frigorífico à tomada de parede durante a instalação. Caso contrário, poderá ocorrer perigo de morte ou ferimentos graves.

⚠ Se a porta de entrada do compartimento onde o frigorífico será instalado não for o suficientemente larga para que ele passe, chame o serviço de assistência autorizado para que possam remover as portas do seu frigorífico e passá-lo de forma inclinada através da porta.

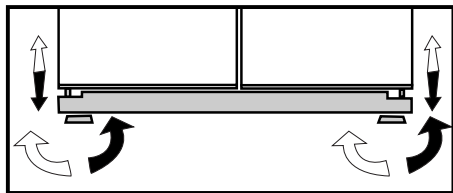
1. Instale o seu frigorífico num local que permita fácil acesso.
2. Mantenha o seu frigorífico longe das fontes de calor, lugares húmidos e luz solar directa.
3. Deve existir uma circulação de ar adequada à volta do seu frigorífico, para que obtenha um funcionamento eficiente. Se o frigorífico for colocado numa reentrância da parede, deve haver uma distância mínima de 5cm do tecto e, pelo menos, 5 cm da parede. Se o piso for coberto por alcatifa, o seu produto deve ter uma elevação de 2,5 cm do chão.
4. Coloque o seu frigorífico num pavimento uniforme para evitar solavancos.
5. Não mantenha o seu frigorífico em temperaturas ambientes inferiores a 10 °C.

Ajuste do nivelamento do pavimento

⚠ Se o seu frigorífico estiver desnivelado;
⚠ Primeiro desligue o produto da corrente eléctrica. O produto deve estar desligado da corrente ao fazer o nivelamento. Há risco de choque eléctrico.



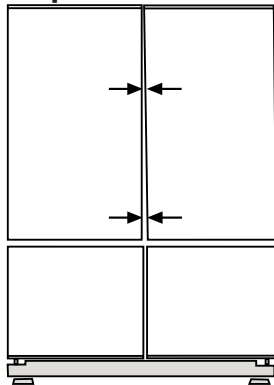
1- A tampa de ventilação é removida desapertando os seus parafusos, conforme ilustrado na figura antes do procedimento. Pode equilibrar o seu frigorífico, rodando os seus pés frontais conforme ilustrado na figura. O canto onde está o pé é baixado quando roda na direcção da seta preta e levantado quando roda na direcção oposta. Peça ajuda a alguém para erguer ligeiramente o frigorífico, facilitará este processo.



2. Após o equilíbrio ter sido solucionado, instale de volta a tampa de ventilação e aperte os parafusos.

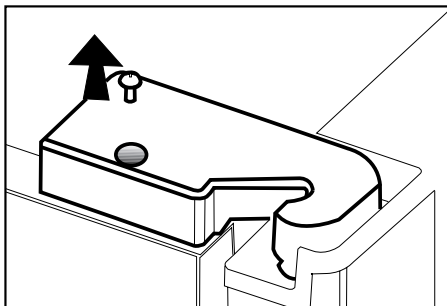
3. Remova os parafusos que fixam a tampa de ventilação usando uma chave de fendas Philips.

Ajustar o espaço entre a porta superior

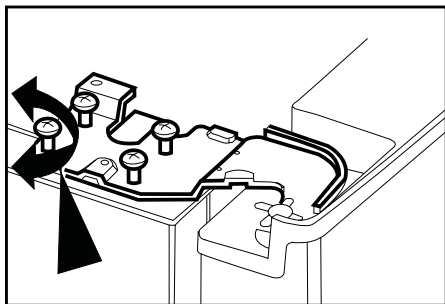


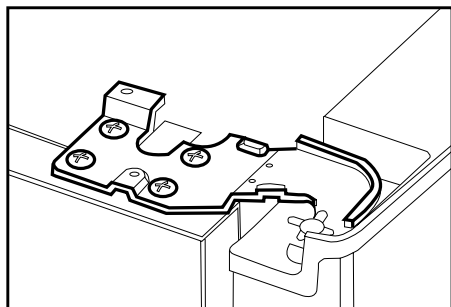
i Pode ajustar o espaço entre as portas do compartimento do refrigerador, conforme ilustrado nas figuras.

As prateleiras da porta devem estar vazias quando ajustar a altura da porta.

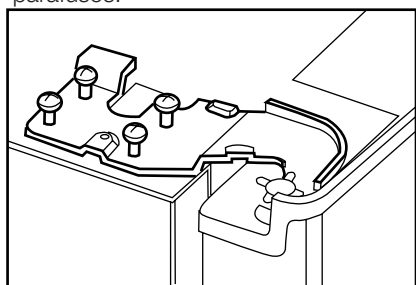


i Com uma chave de fendas, remova o parafuso da cobertura da dobradiça superior que pretende ajustar.

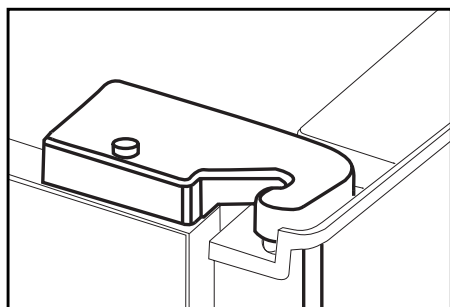




i Ajuste a porta adequadamente conforme pretendido, apertando os parafusos.



i Fixe a porta que ajustou, apertando os parafusos sem alterar a posição da porta.



i Volte a colocar a cobertura da dobradiça e fixe com o parafuso.

Instalação do filtro da água (em alguns modelos)

Poderão ser ligadas duas diferentes fontes de água ao frigorífico para fornecimento de água: o fornecimento de água fria principal e a água num jarro.

Requisitos para a instalação

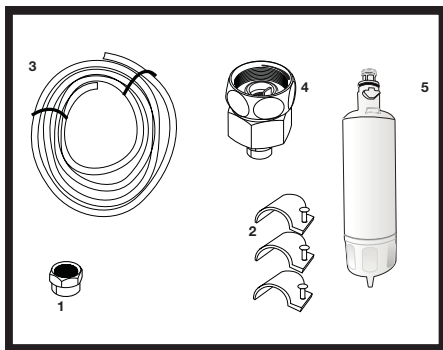
Para a utilização de água de jarro deverá ser usada uma bomba.

Verifique se as peças indicadas abaixo foram fornecidas com o seu equipamento.

1. União para a ligação do tubo da água à parte traseira do electrodoméstico. (Se não encaixar, adquira-a no agente autorizado mais próximo).
2. 2 conjuntos de grampos para válvula (Se forem necessários para segurar o tubo da água)

Aviso: Visto que as seguintes peças não são necessárias para utilizar com um jarro, podem não ser fornecidas com o produto que adquiriu.

3. Tubo da água de 5 metros (1/4 de polegada de diâmetro)
4. Válvula para conduta da água fria com filtro de rede (Adaptador para torneira)
5. Filtro da água ou filtro ligável externamente a ser adaptado ao suporte no interior do compartimento do frigorífico.



Primeiro deverá ser determinado o local onde o filtro externo será encaixado. (Aplica-se ao filtro que será usado no exterior do frigorífico). Em seguida, determine a distância entre o filtro e o frigorífico e a extensão necessária da mangueira a partir do filtro até à entrada de água ao frigorífico.

O filtro de água deve ser colocado verticalmente, conforme mostrado na figura. É importante encaixar correctamente o filtro na entrada de água e nos pontos de saída de água.

Após instalar o filtro, não utilize os 3 ou 4 primeiros copos de água.

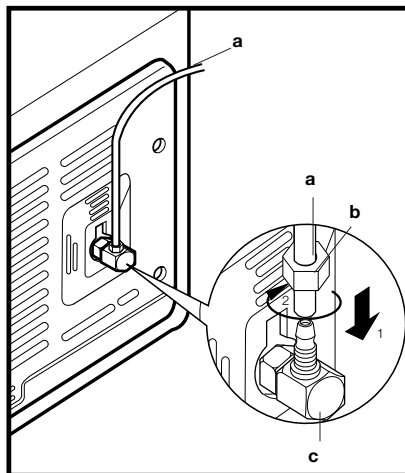
Ligação do tubo da água ao frigorífico

1. Após instalar a união no tubo da água, introduza este na válvula de entrada do frigorífico puxando firmemente para baixo.

2. Adapte a união como mostrado na figura ao lado, pressionando manualmente na válvula de entrada do frigorífico.

(a- Tubo de água, b-União, c-Válvula)

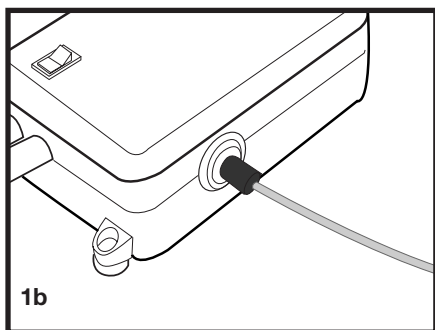
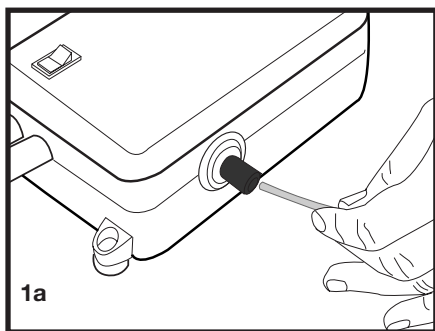
i Nota 1: Não deverá precisar de apertar a união com uma ferramenta para conseguir uma montagem hermética. No caso de existir uma fuga, utilize uma chave-inglesa ou um alicate para apertar a união.



Ligação da mangueira da água ao jarro (em alguns modelos)

Para ligar a água ao frigorífico a partir de um jarro, é necessária uma bomba. Siga as instruções abaixo depois de ligar uma extremidade do tubo de água que vem da bomba para o frigorífico como descrito na página anterior.

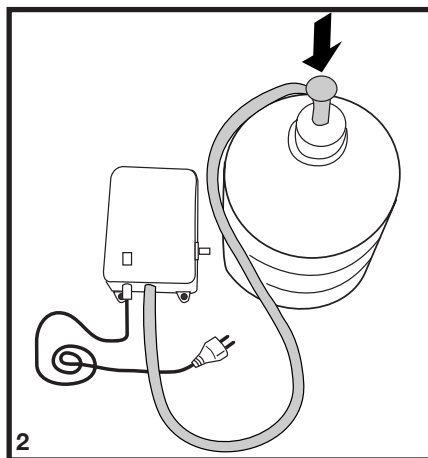
1. Termine a ligação empurrando a outra extremidade do tubo da água para dentro da entrada do mesmo na bomba, como mostrado na figura.



2. Coloque e fixe a mangueira da bomba dentro do jarro, como mostrado na figura.
3. Após concluir a ligação, ligue e faça funcionar a bomba.

Para proporcionar um funcionamento eficiente da bomba, espere 2 a 3 minutos após colocar em funcionamento a mesma.

- i** Deverá consultar o manual do utilizador da bomba ao executar a ligação da água.
- i** Não há necessidade de usar um filtro de água quando é utilizado o jarro.
- i** A bomba deverá ser usada quando for utilizado um jarro.



Ligação do tubo da água à linha de fornecimento de água fria

(em alguns modelos)

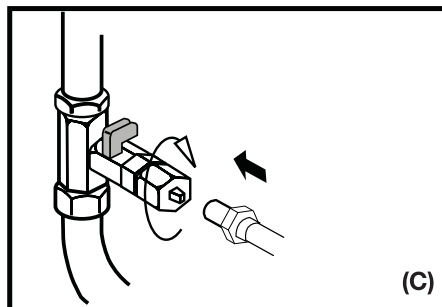
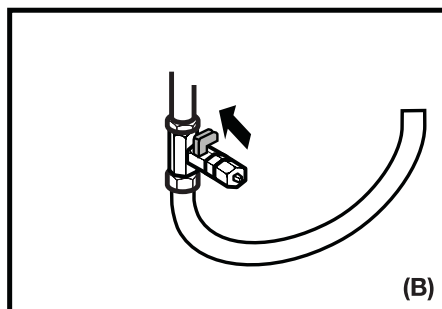
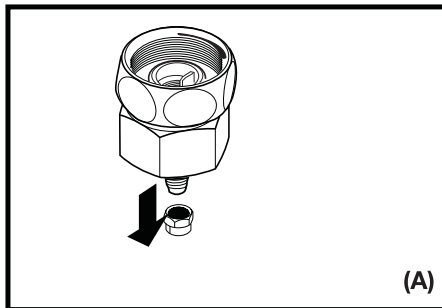
se pretender utilizar o seu frigorífico ligando-o ao tubo principal da água fria, terá de ligar um adaptador de conexão de válvula padrão de 1/2" ao fornecimento de água fria da sua casa. No caso de não possuir esta válvula ou se não tiver a certeza, consulte um picheleiro qualificado.

1. Separe a união do adaptador da torneira. (Figura A)
2. Instale o adaptador da torneira ao encaixe da válvula de 1/2", como mostrado na figura. (Figura B)
3. Após introduzir o tubo da água na união, instale-o no adaptador da torneira e introduza-o depois na torneira, como mostrado na figura. (Figura C)
4. Aperte a união manualmente. No caso de existir uma fuga, utilize uma chave-inglesa ou um alicate para apertar a união.

⚠ Aviso: Segure o tubo da água em pontos apropriados através dos grampos de tubo fornecidos para evitar quaisquer danos ou deslocamentos de tubo ou desligamento accidental.

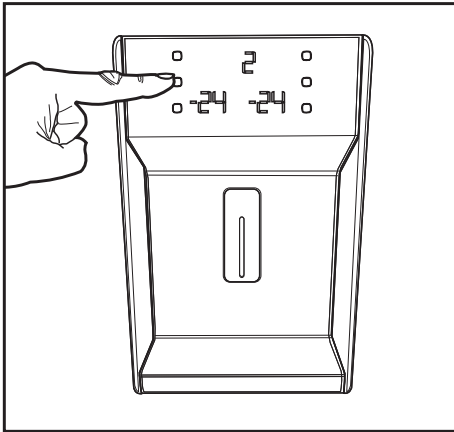
⚠ Aviso: Após ligar a válvula da água, certifique-se de que não há fugas em ambos os pontos de ligação do tubo da água. Em caso de fuga, desligue imediatamente a válvula e aperte de novo todas as juntas utilizando uma chave-inglesa ou um alicate.

⚠ Aviso: Certifique-se de que a adaptação da válvula padrão de 1/2" alimentada pelo fornecimento de água fria se encontra disponível e está completamente desligada.

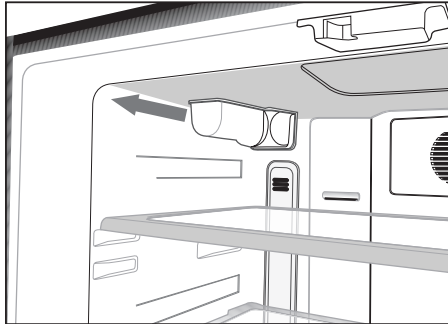


Para adaptar o filtro da água siga as instruções abaixo referindo-se às figuras apresentadas:

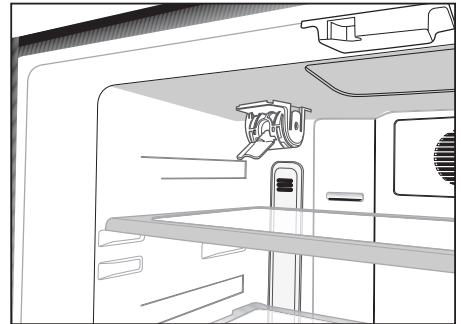
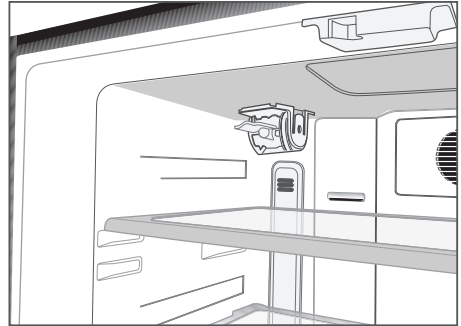
1. Prima o botão "Ice cancel" (Cancelar gelo) no visor.



2. Retire a tampa do filtro no compartimento do frigorífico puxando-a para a frente.



3. Extraia a tampa de passagem do filtro de água rodando-a para baixo.



⚠ Aviso: Certifique-se de que o modo "Ice Off" (Desligar Gelo) está activo antes de retirar a tampa de passagem.

Aviso: É normal que caiam algumas gotas de água depois da tampa ter sido retirada.

4. Retire a tampa na parte de cima do filtro de água para o colocar como mostrado na figura e rode para cima para o bloquear.
5. Pressione de novo o botão "Ice Off" no visor para sair deste modo.

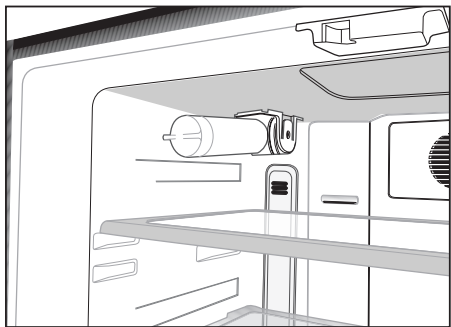
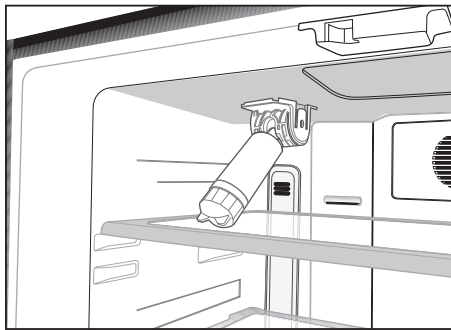
O filtro da água deverá ser substituído a cada 6 meses.

Se quiser que o tempo de substituição do filtro seja calculado automaticamente e também receber um aviso no final do tempo útil, leia a secção "Calcular automaticamente o tempo de utilização do filtro".

O filtro da água deverá ser retirado como mostrado na figura quando for substituído ou quando não for mais utilizado e a tampa de passagem deverá ser encaixada. Deve certificar-se que o modo "Ice Off" está activo antes de o retirar.

⚠ Aviso: O filtro da água limpa certas partículas estranhas da água. Ele não purifica a água dos microorganismos.

⚠ Aviso: O botão 'Ice Off' deve ser sempre pressionado durante a substituição do filtro da água ou na instalação da tampa de passagem.



Antes da primeira utilização do Dispensador de água

i A pressão da conduta de água não deve ser inferior a 1 bar.

i A pressão da conduta de água não deverá ser superior a 8 bar.

i As bombas devem ser usadas no caso da pressão do fornecimento de água cair abaixo de 1 bar ou se vier a ser utilizado um jarro.

i O sistema de água do frigorífico deverá ser ligada à linha de água fria. Não deverá estar ligado à linha de água quente.

i Não se deve obter água no funcionamento inicial do frigorífico. Isto é devido ao ar no sistema. Para descarregar o ar do sistema pressione o trinco do Dispensador de água por períodos de 1 minuto até que a água corra do dispensador. O fluxo de água pode ser irregular no início. O fluxo de água irregular ficará normalizado depois do ar do sistema e ser descarregado.

i No arranque inicial do frigorífico devem ter decorrido 12 aprox. até que se possa obter água fria.

i A pressão da conduta de água deve estar entre 1-8 bar para que o Dispensador de água funcione de forma regular. Para tal, constate que um copo de água (100 cc) deve ser enchido em 10 segundos.

i Os primeiros 10 copos de água não deverão ser consumidos.

i Aproximadamente, os primeiros 30 cubos de gelo retirados do Dispensador de gelo não deverão ser utilizados.

i Utilize sempre o filtro de água quando não estiver a ser utilizado um jarro.

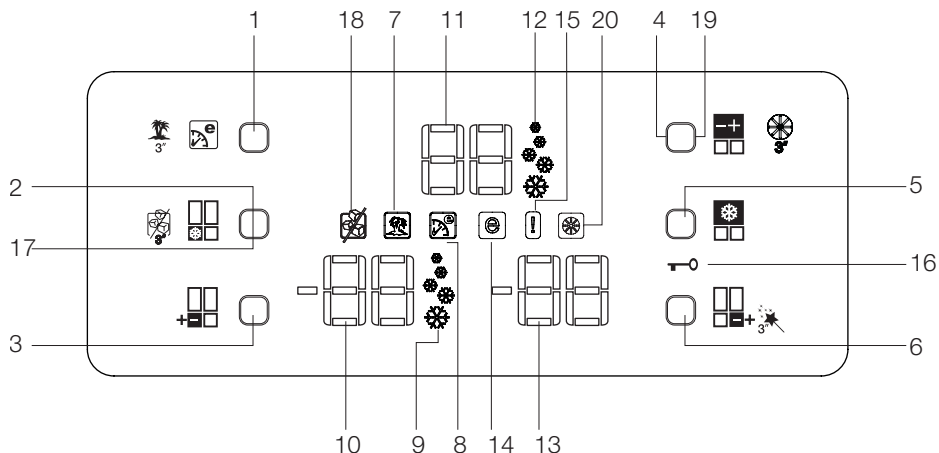
4 Preparação

- i** O seu frigorífico deverá ser instalado a uma distância mínima de 30 cm de quaisquer fontes de calor, tais como placas, fornos, aquecimento central e fogões e de 5 cm de fornos eléctricos e não deverá ficar exposto directamente à luz solar.
- i** A temperatura ambiente do compartimento onde está instalado o seu frigorífico não deve ser inferior a 10 °C. Utilizar o seu frigorífico em condições de temperatura mais baixas não é recomendado em atenção à sua eficiência.
- i** Certifique-se de que o interior do seu frigorífico esteja completamente limpo.
- i** Se forem instalados dois frigoríficos lado a lado, deverá existir uma distância mínima de 2 cm entre eles.
- i** Quando utilizar o seu frigorífico pela primeira vez, por favor, observe as seguintes instruções durante as seis horas iniciais.
 - A porta não deverá ser aberta frequentemente.
 - Deve começar a funcionar vazio, sem alimentos no interior.
 - Não retire a ficha da tomada do seu frigorífico. Se houver uma falha de energia inesperada, por favor consulte os avisos na secção “Soluções recomendadas para os problemas”.
- i** A embalagem original e os materiais de esponja deverão ser guardados para transportes ou deslocações futuras.

5 Utilizar o seu frigorífico

Painel indicador

Este painel indicador por controlo digital permite-lhe definir a temperatura, sem abrir a porta do seu frigorífico. Basta tocar no botão correspondente com o seu dedo para definir a temperatura.



1. Botão Eco Extra/Vacation
2. Botão Fast Freeze
3. Botão de ajuste da temperatura do compartimento do congelador
4. Botão de ajuste da temperatura do compartimento do refrigerador
5. Botão 'Quick Cool'
6. Botão de definição da temperatura do compartimento da Zona Flexi
7. Indicador da função 'Vacation' (Férias)
8. Indicador de função Eco Extra
9. Indicador da função 'Quick Freeze' (Congelamento rápida)
10. Indicador da temperatura do compartimento do congelador
11. Indicador da temperatura do compartimento do refrigerador
12. Indicador da função 'Quick Cool' (Arefecimento rápido)
13. Indicador da temperatura do compartimento de armazenamento Zona Flexi
14. Indicador do 'Economy Mode' (Modo economia)
15. Indicador do tipo de erro
16. Indicador de bloqueio de tecla
17. Botão de cancelamento do gelo (Ice off)
18. Indicador de "Ice Off"
19. Botão para cancelar o aviso para substituição do filtro
20. Indicador do aviso para substituição do filtro

1. Botão Eco Extra/Vacation

Prima este botão rapidamente para activar a função Eco Extra. Mantenha este botão premido por 3 seg. para activar a função Vacation (Férias). Prima novamente este botão para desactivar a função seleccionada.

2. Botão Fast Freeze

Prima este botão rapidamente para activar a função Fast Freeze. Prima novamente este botão para desactivar a função seleccionada.

3. Botão de ajuste da temperatura do compartimento do congelador

Prima este botão para definir a temperatura do compartimento do congelador para -18, -20, -22, -24, -18... respectivamente. Prima este botão para definir a temperatura pretendida para o compartimento do congelador.

4. Botão de ajuste da temperatura do compartimento do refrigerador

Prima este botão para definir a temperatura do compartimento do refrigerador para 8, 6, 4, 2, 8... respectivamente. Prima este botão para definir a temperatura pretendida para o compartimento do refrigerador.

5. Botão 'Quick Cool'

Prima este botão rapidamente para activar a função Quick Cool. Prima novamente este botão para desactivar a função seleccionada.

6. Botão de definição da temperatura do compartimento da Zona Flexi

Pode definir o compartimento da Zona Flexi tanto como um Congelador como com um Refrigerador. Mantenha este botão premido por 3 seg. para definir o compartimento da Zona Flexi como um Congelador como com um Refrigerador.

Este compartimento vem definido por fábrica como compartimento de congelação.

Se o compartimento da Zona Flexi estiver definido como para congelação, então a temperatura do compartimento da Zona Flexi alterará conforme -18, -20, -22, -24, -18... respectivamente, cada vez que premir este botão. Se o compartimento da Zona Flexi estiver definido como para arrefecimento, então a temperatura do compartimento da Zona Flexi alterará conforme 10, 8, 6, 4, 2, 0, -6... respectivamente, cada vez que premir este botão.

7. Indicador da função 'Vacation' (Férias)

Indica que a função Vacation está activa. Se a função estiver activa, “- -“ aparece no indicador do compartimento do refrigerador e não é realizado qualquer arrefecimento no compartimento do refrigerador. Outros componentes serão arrefecidos de acordo com a temperatura definida para eles.

Prima novamente este botão para desactivar esta função.

8. Indicador de função Eco Extra

Indica que a função Eco Extra está activa. Se esta função estiver activa, o seu frigorífico detectará automaticamente os períodos de menor utilização e o arrefecimento com eficiência energia será realizado durante estas alturas. O indicador de Economia estará activo enquanto o arrefecimento com eficiência de energia estiver a ser realizado.

Prima novamente este botão para desactivar esta função.

9. Indicador da função 'Quick Freeze' (Congelação rápida)

Indica que a função Fast Freeze está activa. Utilize esta função quando colocar alimentos frescos no compartimento do congelador ou quando precisar de gelo. Quando esta função estiver activa, o seu frigorífico funcionará por um determinado período de tempo.

Prima novamente este botão para desactivar esta função.

10. Indicador da temperatura do compartimento do congelador

Indica a temperatura definida para o compartimento do congelador.

11. Indicador da temperatura do compartimento do refrigerador

Indica a temperatura definida para o compartimento do refrigerador.

12. Indicador da função 'Quick Cool' (Arrefecimento rápido)

Indica que a função Quick Cool está activa. Utilize esta função quando colocar alimentos frescos no compartimento do refrigerador ou quando precisar de gelo. Quando esta função estiver activa, o seu frigorífico funcionará por 2 horas sem interrupção.

Prima novamente este botão para desactivar esta função.

13. Indicador da temperatura do compartimento de armazenamento Zona Flexi

Indica a temperatura definida para o compartimento da Zona Flexi.

14. Indicador do 'Economy Mode' (Modo economia)

Indica que o frigorífico está a funcionar no modo com eficiência de energia. Temperatura do compartimento do congelador

Este indicador estará activo se a função estiver definida para -18 ou se o arrefecimento com eficiência de energia estiver a ser realizado devido a função Eco-Extra.

15. Indicador do tipo de erro

Se o seu frigorífico não arrefecer adequadamente ou se houver falha no sensor, este indicador será activado. Quando este indicador estiver activo, o indicador da temperatura do compartimento do congelador exibirá "E" e o indicador da temperatura do compartimento do refrigerador exibirá números, tais como "1, 2, 3...". Estes números no indicador informam sobre o erro ao pessoal da assistência técnica.

16. Indicador de bloqueio de tecla

Use esta função se não quiser que a definição da temperatura do seu frigorífico seja alterada. Prima simultaneamente o botão Quick Cool e o botão de definição da temperatura do compartimento da Zona Flexi durante algum tempo (3 seg.) para activar esta funcionalidade.

Prima novamente os botões correspondentes para desactivar esta função.

17. Botão de cancelamento do gelo (Ice off)

Para interromper a formação de gelo, o botão “Ice Off” (cancelamento do gelo) deve ser premido por 3 segundos. Quando o Ice off é seleccionado, não é enviada qualquer água para a caixa de gelo. Apesar disso, pode ficar depositado algum gelo na caixa de gelo, que pode ser retirado dali. Para reiniciar a formação de gelo, o botão “Ice Off” (cancelamento do gelo) deve ser premido novamente por 3 segundos.

18. Indicador de Ice Off

Se não quiser obter gelo a partir do seu frigorífico, precisará usar esta função. Pode usar esta função premindo o botão de cancelamento do gelo (Ice off) por 3 segundos.

19. Botão para cancelar o aviso para substituição do filtro

O filtro do seu frigorífico deve ser substituído a cada 6 meses. O seu frigorífico calcula este tempo automaticamente e o indicador do aviso para substituição do filtro acende quando for decorrido o tempo útil de utilização do filtro. Prima o botão Cancelar aviso de substituição do filtro por 3 segundos, para deixar que o frigorífico calcule automaticamente o tempo do novo filtro, depois que substituir o anterior.

20. Indicador de cancelamento do aviso para substituição do filtro

Quando tiver decorrido o tempo de utilização do filtro, o indicador de aviso para substituição do mesmo começa a piscar.

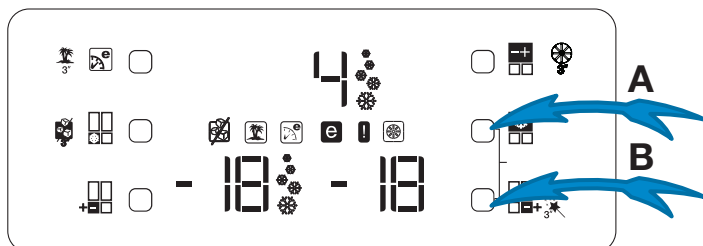
Alarme da porta aberta:

No caso de deixar a porta do compartimento do frigorífico ou da zona Flexi aberta pelo menos por 1 minuto, um alarme audível de porta aberta será activado. Para silenciar o alarme, basta premir qualquer botão no indicador ou fechar a porta aberta.

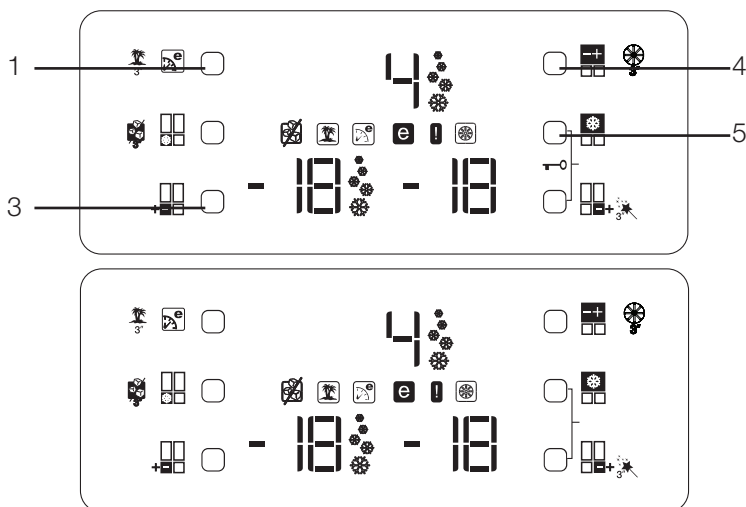
O que deve ser feito para que o tempo de utilização do filtro seja calculado automaticamente

(Para produtos ligados ao fornecimento principal de água e equipados com filtro)

1- Após ligar o frigorífico na corrente, prima simultaneamente os botões A e B para activar o bloqueio de tecla.



2- Depois prima os botões Eco-Extra (1), Definição da temperatura do compartimento do refrigerador (4), Quick Cool (5) e Definição da temperatura do congelador, respectivamente.



Se a configuração do botão for premdida na ordem correcta, o símbolo de bloqueio de tecla apagar-se-á, uma campainha será activada rapidamente e o indicador de aviso de substituição do filtro acender-se-á. Prima o botão Cancelar aviso de substituição do filtro (item 19 nas descrições do visor) após trocar o filtro, para que tenha o tempo de utilização do novo filtro calculado automaticamente.

ⓘ Se o tempo de utilização do filtro for calculado automaticamente, o indicador de aviso de substituição do filtro acender-se-á após alguns segundos do produto ter sido ligado.

ⓘ O cálculo automático do tempo de utilização do filtro não vem activo de fábrica. Deverá ser activado em produtos equipados com um filtro.

ⓘ Repita o mesmo procedimento em produtos cujo cálculo do tempo de utilização do filtro esteja activado, para desactivar o cálculo anterior do tempo de utilização do filtro.

Tabuleiro para ovos

Poderá instalar o suporte para ovos na porta que desejar ou prateleira da estrutura.

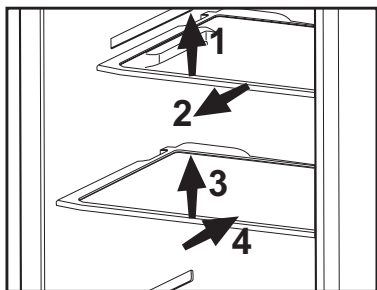
Nunca guarde o suporte para ovos no compartimento do congelador

Prateleiras de estrutura deslizante

As prateleiras de estrutura deslizante podem ser puxadas, levantando-se ligeiramente a parte frontal e movendo para trás e para frente. Elas atingem um ponto de paragem quando puxadas para frente para permitir que alcance os alimentos colocados no fundo da prateleira; quando são puxadas após levantar ligeiramente até o segundo ponto de paragem, a prateleira de estrutura será solta.

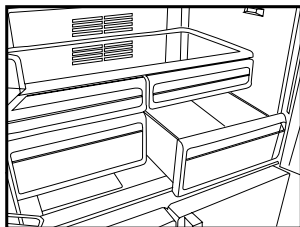
A prateleira deverá ser segurada firmemente pelo fundo, para impedir que revire. A prateleira de estrutura é colocada nas guias nas partes laterais da estrutura do frigorífico, colocando-a num nível inferior ou superior.

A prateleira de estrutura deverá ser empurrada para trás, para ficar completamente encaixada.



Gaveta para frutos e legumes

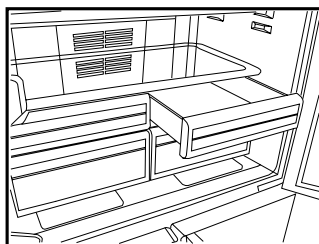
A gaveta para frutos e legumes do seu frigorífico foi especialmente projectada para guardar os seus legumes frescos sem que percam a sua humidade. Para este propósito, a circulação de ar frio ocorre por toda a gaveta. Remova as prateleiras da porta que se alinham com a gaveta para frutos e legumes, antes de remover tais gavetas. Pode remover as gavetas para frutos e legumes, conforme ilustrado na figura.



Compartimento de refrigeração

Os compartimentos de refrigeração possibilitam que os alimentos refrigerados estejam prontos para congelar. Também pode usar estes compartimentos para armazenar os seus alimentos numa temperatura de alguns graus abaixo no compartimento do frigorífico.

Pode aumentar o volume interno do seu frigorífico, removendo algum dos compartimentos de refrigeração. Para fazer isso, puxe o compartimento em direcção a si; o compartimento apoiará-se-á no retentor e parará. Este compartimento será libertado quando o levantar cerca de 1 cm e puxá-lo em direcção a si.



Secção do meio móvel

A secção do meio móvel está concebida para impedir que o ar frio no interior do seu frigorífico escape para fora.

1- A vedação ocorre quando as juntas da porta pressionam a superfície da secção do meio móvel, enquanto as portas do compartimento do refrigerador estão fechadas.

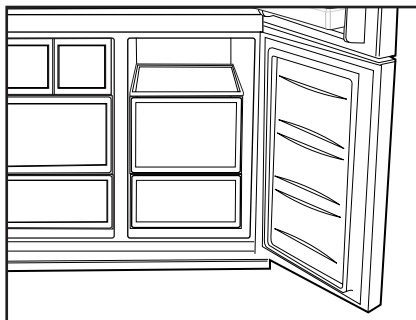
2- O motivo do seu frigorífico estar equipado com uma secção do meio móvel é para aumentar o volume líquido do compartimento do refrigerador. As secções do meio padronizadas ocupam um volume não utilizável no frigorífico.

3- A secção do meio móvel está fechada quando a porta esquerda do compartimento do refrigerador também está fechada.

4- Não deve ser aberta manualmente. Ela move-se sob o guia da parta plástica da estrutura quando a porta é fechada.

Compartimento de armazenamento da Zona Flexi

O compartimento de armazenamento da zona Flexi do seu frigorífico pode ser usado em qualquer modo pretendido, ajustando as temperaturas do refrigerador (2/4/6/8 °C) ou do congelador (-18/-20/-22/-24). Pode manter o compartimento na temperatura pretendida através do Botão de definição da temperatura do compartimento de armazenamento da Zona Flexi. A temperatura do compartimento de armazenamento da zona Flexi pode ser definida para 0 e 10 graus além das temperaturas do compartimento do refrigerador e para -6 graus além das temperaturas do compartimento do congelador. 0 graus é usado para armazenar produtos de charcutaria por mais tempo e -6 graus é usado para conservar carnes até 2



semanas, numa condição que facilita o corte.

ⓘ A função de permutar para um compartimento do Congelador ou do Refrigerador é fornecida através do elemento de arrefecimento localizado na secção fechada (compartimento do compressor) atrás do frigorífico. Durante o funcionamento deste elemento, podem ser ouvidos sons semelhantes aos sons do correr dos segundos num relógio. Esta situação é normal e não é causa de problema.

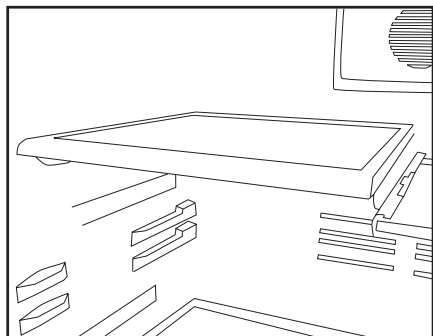
Luz azul

Os alimentos guardados nas gavetas para frutas e legumes que são iluminados com uma luz azul, continuam a sua fotossíntese através do efeito de extensão de onda da luz azul e por isso, conservam a sua frescura e o seu conteúdo vitamínico é aumentado.



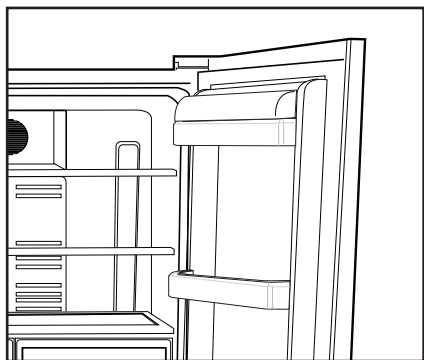
Prateleiras deslizantes da estrutura com suportes traseiros

As prateleiras deslizantes da estrutura com suportes traseiros podem ser movidas para a frente e para trás. A altura dessas prateleiras pode ser ajustada, removendo-as e depois instalando-as em posições superiores ou inferiores. Erga ligeiramente a prateleira e puxe na sua direção para a remover.



Secção de manteiga e queijo

Pode guardar alimentos como manteiga, queijo e margarina nesta secção, já que possui uma tampa.

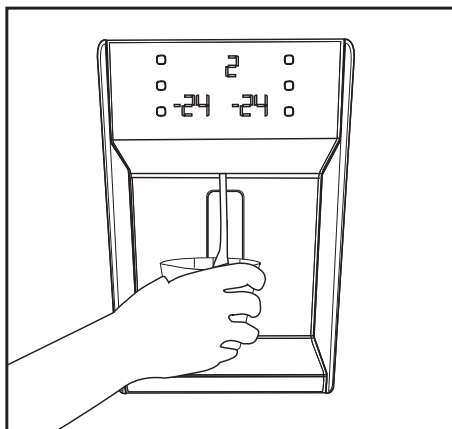


Usar a fonte de água

Avisos

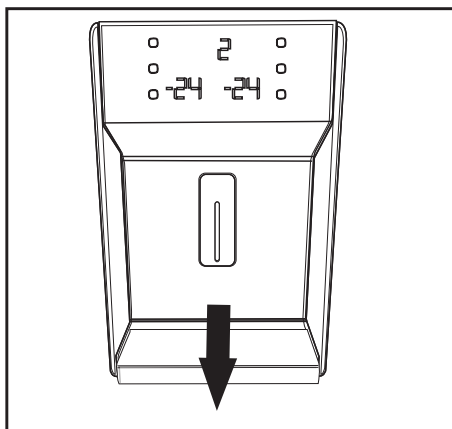
É normal que a água dos primeiros copos tirados do dispensador esteja quente.

Nos casos em que o dispensador de água não tenha sido usado frequentemente, deve-se deixar correr uma quantidade suficiente de água do dispensador para se conseguir água fresca.



Tabuleiro de derramamento

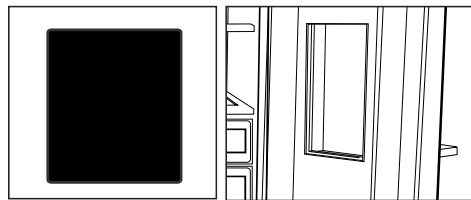
As gotas de água que caem durante a utilização, acumulam-se no tabuleiro de derramamento. Pode remover o tabuleiro de derramamentos puxando-o para si ou pressionando no seu rebordo (dependendo do modelo). Pode retirar a água com uma esponja ou um pano macio.



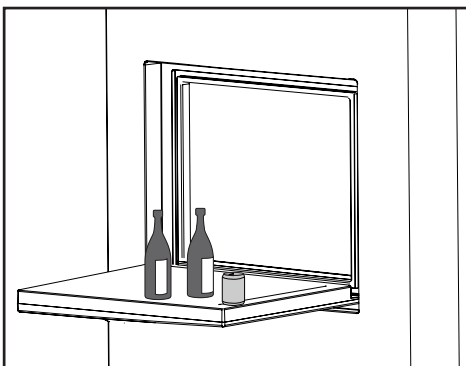
Minibar

A porta do minibar oferece uma comodidade extra ao utilizar o seu frigorífico. A prateleira da porta do frigorífico pode ser alcançada sem abrir a porta do frigorífico; graças a esta característica, poderá retirar facilmente do frigorífico os alimentos e bebidas que costuma consumir habitualmente. Como não terá que abrir a porta do frigorífico frequentemente, diminuirá o consumo de energia do frigorífico.

Para abrir a porta do minibar, pressione manualmente o minibar e puxe para abrir.

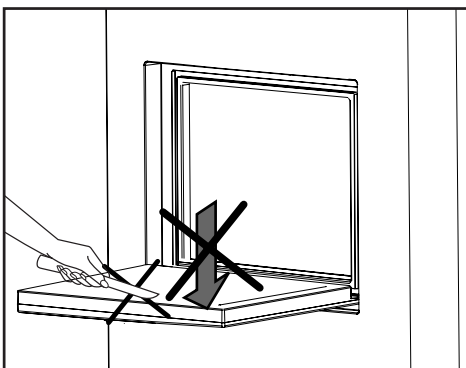


Quando a porta do minibar estiver aberta, poderá usar a parte interna da porta como mesa para colocar as suas garrafas e copos por algum tempo, conforme mostrado na figura.



⚠ Aviso: Nunca exerça pressões na porta tal como sentar-se, subir ou pendurar-se na mesa e não coloque qualquer objecto pesado sobre ela. Isto poderá causar danos ao frigorífico ou ferimentos pessoais.

⚠ Aviso: Nunca faça qualquer trabalho de corte sobre a porta do Minibar e tenha cuidado para que a porta não seja danificada por objectos pontiagudos ou afiados.



6 Limpeza e cuidados

- ⚠ Nunca use gasolina, benzeno ou substâncias semelhantes para a limpeza.
- ⚠ Recomendamos que desligue a ficha do equipamento da tomada antes da limpeza.
- ℹ Nunca utilize na limpeza objectos abrasivos ou pontiagudos, sabões, produtos de limpeza doméstica, detergentes ou ceras abrillantadoras.
- ℹ Utilize água morna para limpar o exterior do seu frigorífico e seque-o com um pano.
- ℹ Utilize um pano humedecido numa solução composta por uma colher de chá de bicarbonato de soda dissolvido em cerca de meio litro de água para limpar o interior e depois seque-o.
- ⚠ Certifique-se de que não entra água no compartimento da lâmpada e nos outros itens eléctricos.
- ⚠ Se o seu frigorífico não for utilizado durante um longo período de tempo, remova o cabo de alimentação, retire todos os alimentos, limpe-o e deixe a porta entreaberta.
- ℹ Verifique regularmente as borrachas vedantes da porta, para se assegurar que elas estão limpas e sem restos de alimentos.
- ⚠ Para remover os suportes da porta, retire todo o seu conteúdo e, em seguida, basta empurrar cuidadosamente o seu suporte para cima a partir da base.

Protecção das superfícies plásticas

- ℹ Não coloque óleos líquidos ou comidas cozinhadas no óleo no seu frigorífico em recipientes abertos, uma vez que podem danificar as superfícies plásticas do seu frigorífico. No caso de derrame ou salpico de óleo nas superfícies plásticas, limpe e enxagúe a parte correspondente da superfície com água morna.

7 Soluções recomendadas para os problemas

Por favor, reveja esta lista antes de telefonar para a assistência. Com isso, pode poupar tempo e dinheiro. Esta lista abrange as reclamações frequentes resultantes de defeitos de fabricação ou utilização do material. Algumas das funções descritas aqui podem não existir no seu produto.

O frigorífico não funciona

- O frigorífico tem a ficha eléctrica ligada correctamente à tomada? Introduza a ficha na tomada de parede.
- O fusível da tomada na qual o frigorífico está ligado ou o fusível principal não está queimado? Verifique o fusível.

Condensação na parede lateral do compartimento do frigorífico (MULTIZONE, COOL CONTROL e FLEXI ZONE).

- Condições ambientais muito frias. Abertura e fecho frequentes da porta. Condições ambientais de alta humidade. Armazenamento de alimentos que contém líquidos em recipientes abertos. A porta foi deixada entreaberta. Comute o termóstato para um grau mais frio.
- Diminua o número de vezes de abertura da porta ou utilize menos frequentemente.
- Cubra os alimentos guardados em recipientes abertos com um material apropriado.
- Limpe a condensação usando um pano seco e verifique, se persistir.

O compressor não está a funcionar.

- A protecção térmica do compressor deixará de funcionar durante falhas eléctricas repentinas ou na extracção/colocação da ficha eléctrica, já que a pressão refrigerante no sistema de arrefecimento do frigorífico ainda não se encontra estabilizada. O seu frigorífico voltará a funcionar aproximadamente 6 minutos depois. Por favor, chame a assistência se o frigorífico não começar a operar no fim deste período.
- O frigorífico está no ciclo de descongelação. Isto é normal num frigorífico de descongelação totalmente automático. O ciclo de descongelação ocorre periodicamente.
- O seu frigorífico não está ligado à tomada. Certifique-se de que a ficha está correctamente ligada à tomada.
- A regulação da temperatura está feita correctamente?
- A corrente deve ser desligada.

O frigorífico está a funcionar frequentemente ou por um longo tempo.

- O seu novo produto pode ser mais largo do que o anterior. Esta situação é perfeitamente normal. Os frigoríficos grandes operam por um período maior de tempo.
- A temperatura ambiente pode estar muito elevada. Esta situação é perfeitamente normal.
- O frigorífico foi ligado à tomada há pouco tempo ou carregado com alimentos. O arrefecimento total do frigorífico pode demorar mais do que duas horas.
- Podem ter sido colocadas recentemente grandes quantidades de alimentos quentes no frigorífico. Os alimentos quentes obrigam a um funcionamento mais vigoroso do frigorífico até que alcance a temperatura segura de armazenamento.
- As portas podem estar a ser abertas frequentemente ou foram deixadas entreabertas por longo tempo. O ar quente que entrou no frigorífico faz com que o mesmo tenha que funcionar por períodos mais longos. Abra as portas com menos frequência.
- A porta do compartimento do frigorífico ou do congelador pode ter sido deixada entreaberta. Verifique se as portas estão completamente fechadas.
- O frigorífico está ajustado para uma temperatura muito baixa. Ajuste a temperatura do frigorífico para um grau mais quente e aguarde até que a temperatura seja atingida.
- O vedante da porta do frigorífico ou do congelador pode estar sujo, gasto, roto ou não ajustado correctamente. Limpe ou substitua o vedante. O vedante danificado/roto faz com que o frigorífico funcione por um período de tempo maior para que mantenha a temperatura actual.

A temperatura do congelador está muito baixa, enquanto que a temperatura do frigorífico é suficiente.

- A temperatura do congelador está ajustada para uma temperatura muito baixa. Ajuste a temperatura do congelador para um grau mais quente e verifique.

A temperatura do refrigerador está muito baixa, enquanto que a temperatura do congelador é suficiente.

- A temperatura do refrigerador pode ter sido ajustada para uma temperatura muito baixa. Ajuste a temperatura do refrigerador para um grau mais quente e verifique.

Os alimentos guardados nas gavetas do compartimento do refrigerador estão congelados.

- A temperatura do refrigerador pode ter sido ajustada para uma temperatura muito baixa. Ajuste a temperatura do refrigerador para um grau mais quente e verifique.

A temperatura no refrigerador ou no congelador é muito alta.

- A temperatura do refrigerador pode ter sido ajustada para um grau muito alto. O ajuste do refrigerador tem efeito na temperatura do congelador. Altere a temperatura do refrigerador ou do congelador até que a temperatura do refrigerador ou do congelador atinja um nível suficiente.
- As portas podem estar a ser abertas frequentemente ou foram deixadas entreabertas por longo tempo; abra-as menos frequentemente.
- A porta poderá ter sido deixada entreaberta; feche-a completamente.
- Podem ter sido colocadas recentemente grandes quantidades de alimentos quentes no frigorífico. Aguarde até que o refrigerador ou o congelador atinja a temperatura desejada.
- O frigorífico pode ter sido ligado à tomada há pouco tempo. O total arrefecimento do frigorífico leva tempo.

O ruído de funcionamento aumenta quando o frigorífico está a funcionar.
<ul style="list-style-type: none"> O desempenho de funcionamento do frigorífico pode variar devido às alterações na temperatura ambiente. Esta situação é normal e não é um problema.
Vibrações ou ruído.
<ul style="list-style-type: none"> O piso não está nivelado ou não é resistente. O frigorífico balança quando deslocado lentamente. Certifique-se de que o piso é suficientemente forte para suportar o frigorífico, e nivelado. O ruído pode ser causado pelos itens colocados sobre o frigorífico. Os itens sobre o topo do frigorífico devem ser removidos.
Há ruídos que surgem do frigorífico como líquidos a verter ou gotejar.
<ul style="list-style-type: none"> Os fluxos de gás e líquidos acontecem conforme os princípios de funcionamento do seu frigorífico. Esta situação é normal e não é um problema.
Há um ruído parecido com o vento a soprar.
<ul style="list-style-type: none"> As ventoinhas são utilizadas para arrefecer o frigorífico. Esta situação é normal e não é um problema.
Condensação nas paredes internas do frigorífico.
<ul style="list-style-type: none"> O tempo quente e húmido aumenta a formação de gelo e de condensação. Esta situação é normal e não é um problema. As portas poderão ter sido deixadas entreabertas; certifique-se que as mesmas estão completamente fechadas. As portas podem estar a ser abertas frequentemente ou foram deixadas entreabertas por longo tempo; abra-as menos frequentemente.
Há ocorrência de humidade no exterior do frigorífico ou entre as portas.
<ul style="list-style-type: none"> Poderá existir humidade no ar; isto é bastante normal no tempo húmido. Quando a humidade for menor, a condensação irá desaparecer.
Maus odores dentro do frigorífico.
<ul style="list-style-type: none"> O interior do frigorífico deve ser limpo. Limpe o interior do frigorífico com uma esponja, água morna ou água com gás. Alguns recipientes ou materiais de embalagem podem provocar cheiros. Utilize um recipiente diferente ou um material de embalagem de marca diferente.
A porta não está fechada.
<ul style="list-style-type: none"> Os pacotes de alimentos podem impedir o fecho da porta. Coloque de outra forma as embalagens que estão a obstruir a porta. O frigorífico não está completamente na vertical no pavimento e balanceia quando ligeiramente movido. Ajuste os parafusos de elevação. O piso não é sólido ou não está nivelado. Certifique-se de que o piso está nivelado e capaz de suportar o frigorífico.
As gavetas para frutos e legumes estão bloqueadas.
<ul style="list-style-type: none"> Os alimentos podem estar a tocar o tecto da gaveta. Arrume novamente os alimentos na gaveta.

لطفا این دفترچه راهنما را اول مطالعه کنید!

مشتری عزیز،

امیدواریم که دستگاه شما که در کارخانه های مدرن ساخته شده است و تحت دقیق ترین شرایط کنترل کیفیت آزمایش شده است به شما سرویس مؤثری را ارائه نماید.




بدین منظور، توصیه می کنیم که کل این دفترچه را قبل از استفاده از دستگاه با دقت بخوانید و آن را برای مراجعات بعدی در محلی نگهداری کنید.

این دفترچه راهنما

- به شما کمک خواهد کرد تا از دستگاه به سرعت و به صورت ایمن استفاده کنید.
 - این دفترچه راهنما را قبل از نصب و راه اندازی دستگاه مطالعه کنید.
 - دستورالعملها را دنبال کنید، خصوصا در مورد ایمنی.
 - این دفترچه راهنما را در محلی نگهداری کنید که دسترسی به آن آسان باشد چون ممکن است به آن نیاز داشته باشید.
 - بعلاوه، سایر اسناد ارائه شده با این دستگاه را هم مطالعه نمایید.
- لطفا دقت کنید که این دفترچه ممکن است برای مدل های دیگر هم قابل استفاده باشد.

علامت و شرح آنان

این دفترچه راهنما حاوی علائم زیر است:

- | | |
|---|--|
| اطلاعات مهم یا نکات مفید برای استفاده از دستگاه. |  |
| هشدار در مورد شرایط خطرناک برای جان افراد و خانه. |  |
| هشدار مربوط به ولتاژ برق |  |

این دستگاه در بر دارنده نماد طبقه بندی انتخابی برای اسراف تجهیزات الکتریکی و الکترونیکی می باشد (WEEE). این بدین معنی است که این دستگاه برای بازیافت شدن یا نابود شدن بجهت حداقل اثر آن بر محیط زیست باید براساس راهنمای European Directive 2002/96/EC دنبال گردد. برای



اطلاعات بیشتر، لطفا با مراکز مجاز یا محلی تماس بگیرید.

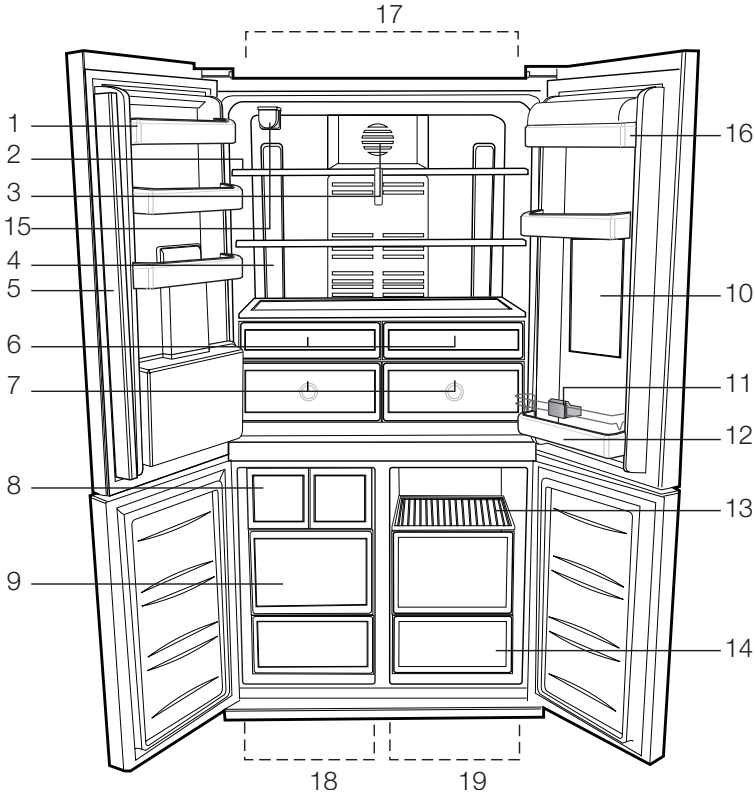
دستگاه های الکترونیکی که در پروسه طبقه بندی انتخابی قرار نمیگیرند بعلت مواد خطرناک دارای پتانسیل خطرناکی برای سلامت محیط و انسان می باشند.

1 یخچال**3****4 آماده سازی****16****2 هشدارهای ایمنی مهم****4****5 استفاده از یخچال****17**

- استفاده مجاز 4
- در محصولات که دارای شیر آب می باشند؛ 5
- ایمنی کودکان 5
- هشدار HCA 5
- کارهایی که برای صرفه جویی انرژی باید انجام داد. 6
- 3 نصب**
- نکاتی که هنگام انتقال دوباره یخچال باید در نظر گرفته شود 7
- قبل از کار کردن با یخچال 7
- اتصالات برقی 8
- دور انداختن بسته بندی 8
- از رده خارج کردن ماشین قدیمی 8
- قرار دادن در محل و نصب 8
- تنظیم تعادل روی زمین 9
- تنظیم فاصله در بالا 9
- نصب فیلتر آب 11
- اتصال لوله آب به یخچال 11
- اتصال شیلنگ آب به مخزن 12
- اتصال لوله آب به لوله آب سرد اصلی 13
- قبل از اولین بار استفاده از شیر آب 15

3 نصب**7****6 تمیز کردن و مراقبت****26**

- 7 راه حل های توصیه شده برای رفع مشکلات**
- 27**



- | | |
|--------------------------------|--------------------------------------|
| 11- نگهدارنده بطری | 1- طبقات درب محفظه یخچال |
| 12- طبقه بطری | 2- طبقات شیشه ای محفظه یخچال |
| 13- طبقات بخش ذخیره مواد غذایی | 3- قاب پخش کننده |
| 14- بخشهای ذخیره مواد غذایی | 4- لنزهای روشنایی |
| 15- فیلتر آب | 5- بخش میانی متحرک |
| 16- قفسه کره و پنیر | 6- محفظه سردکن |
| 17- محفظه یخچال | 7- محل نگهداری سبزیجات |
| 18- محفظه فریزر | 8- یخ ساز |
| 19- منطقه فلکسی | 9- محفظه های نگهداری غذاهای فریز شده |
| | 10- مینی بار |

❗ اشکالی که در این راهنمای دستورالعمل ترسیم شده اند ممکن است مطابق با دستگاه شما نباشند. اگر قطعات مورد مشاهده مشمول دستگاهی که شما خریده اید نمی باشد میتواند برای مدل های دیگر باشد.

از وسایل برقی داخل یخچال استفاده نکنید. قسمت هایی که در آن مواد سرد کننده در گردش است با دریل کردن یا ابزار برشی صدمه نزنید. ماده سرد کننده ای که ممکن است بهنگام صدمه خوردن به کاتالهای گاز، امتداد لوله یا سطوح پوششدار خارج شوند موجب صدمه زدن پوست و لطمه به چشم ها گردند.

منافذ تهویه یخچال را با هیچ مانعی مسدود نکنید و نبوشانید.

دستگاههای برقی فقط باید توسط افراد مجاز تعمیر شوند. تعمیرات توسط افراد فاقد صلاحیت ممکن است موجب ریسک شوک الکتریکی برای کاربر گردند. در صورت هر گونه خرابی یا بهنگام کارهای تعمیراتی برق یخچال را با کشیدن فیوز یا خارج کردن دوشاخه یخچال از برق شهر قطع نمایید. هنگام کشیدن دوشاخه از پریز، کابل برق را نکشید. نوشیدنی را با درب کاملاً محکم بصورت عمودی قرار دهید.

هرگز قوطیهای اسپری قابل اشتعال و مواد منفجره را در یخچال نگهداری نکنید.

از وسایل مکانیکی یا ابزارهای دیگر برای تسریع یخ زدایی غیر از مواردیکه که کارخانه توصیه کرده است استفاده ننمایید.

این دستگاه برای استفاده اشخاصی که دارای وضعیت ضعیف جسمانی (شامل کودکان)، حساسیت و یا عقب ماندگی ذهنی و یا عدم داشتن تجربه و درک صحیح از آن هستند نمی باشد، مگر اینکه اینگونه اشخاص تحت آموزش و یا سرپرستی توسط افرادی که مسئولیت حفاظت از آنها را دارند در رابطه با این دستگاه قرار داشته باشند.

یک یخچال صدمه دیده را راه اندازی نکنید. در صورتی که با مشکلی روبرو شدید با نماینده سرویس تماس بگیرید.

ایمنی الکتریکی یخچال شما وقتی تضمین می گردد که سیم اتصال زمین منزل شما با استانداردهای معین تطابق داشته باشد.

بخاطر ایمنی الکتریکی، قرار دادن دستگاه در معرض باران، برف، آفتاب و باد خطر ناک است.

در صورتی که سیم برق صدمه دیده باشد با سرویس مجاز تماس بگیرید تا از بروز خطر جلوگیری کنید.

هرگز دوشاخه یخچال را بهنگام نصب به پریز برق نزنید. در غیر این صورت، ریسک جانی یا صدمات جدی بدنیا خواهد داشت.

لطفاً به اطلاعات زیر را مطالعه کنید. عدم رعایت این اطلاعات ممکن است باعث ایجاد جراحت یا آسیبهای جدی شود. در نتیجه کلیه ضمانت و تعهدات باطل خواهند شد.

عمر استفاده از دستگاه خریداری شده ۱۰ سال می باشد. این مدت زمانی است که قطعات یدکی مورد نیاز دستگاه به شرح داده شده نگهداری خواهند شد.

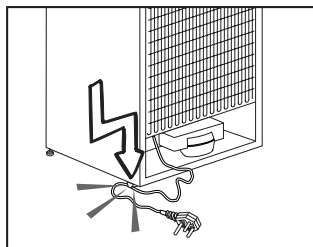
استفاده مجاز

- از دستگاه باید در این موارد استفاده شود:
- در فضاهای سرپوشیده و بسته مانند منازل؛
- در محیطهای کاری بسته مانند فروشگاهها و دفاتر؛
- در مناطق سرپوشیده مانند خانه های روستایی، هتلها و پانسیونها.
- از این محصول در بیرون از خانه نباید استفاده کرد.

ایمنی عمومی

- اگر می خواهید این محصول را از رده خارج کنید، ما توصیه میکنیم بلحاظ کسب اطلاعات لازم با مقامات و سرویس مجاز مشورت نمایید.
- کلیه سوالات و مشکلات مربوط به یخچال خود را با سرویس مجاز در میان بگذارید. بدون اطلاع سرویس مجاز در مسائل یخچال مداخله نکنید و اجازه ندهید کسی در این موارد مداخله کند.
- در محصولاتی که دارای محفظه فریزر می باشند، بستنی قیفی و یا قالب های یخ را بمحض خارج کردن از محفظه فریزر نخورید! (این امر ممکن است روی لب های شما ایجاد سرمازدگی نماید.)
- در محصولاتی که دارای محفظه فریزر می باشند بطری و قوطیهای نوشیدنیهای مایع را در محفظه فریزر قرار ندهید. در غیر این صورت، ممکن است منفجر شوند.
- غذاهای فریز شده را با دست لمس نکنید، ممکن است به دست های شما بچسبند.
- قبل از تمیز کردن یا آب کردن یخ دستگاه دوشاخه را از پریز بیرون بکشید.
- مواد تبخیری یا تمیز کننده تبخیری هرگز نباید برای تمیز کردن و یخ زدایی فریزر استفاده گردند. در چنین مواردی، بخار گاز ممکن است با قطعات برقی تماس پیدا کند و موجب اتصال کوتاه و شوک الکتریکی گردد.
- هرگز از قسمت های یخچال مثل درب بعنوان پشتیبان یا پله استفاده نکنید.

- این یخچال برای ذخیره مواد غذایی در نظر گرفته شده است. از دستگاه برای موارد دیگر نباید استفاده شود.
- بر حسب مشخصات فنی دستگاه در داخلی یخچال روی دیواره سمت چپ قرار گرفته است.
- هرگز یخچال خود را به سیستم‌های صرفه جویی برق وصل نکنید. این دستگاهها به یخچال صدمه می زنند.
- اگر چراغ آبی در یخچال روشن شده باشد، به لوازم چشمی به آن نگاه نکنید.
- برای دستگاههایی که به صورت دستی کنترل می شوند، حداقل ۵ دقیقه بعد از قطع شدن برق صبر کنید و پس از آن دستگاه را روشن کنید.
- این دفترچه راهنما در صورتی که دستگاه به فرد دیگری داده شود باید به او تحویل داده شود.
- از آسیب رساندن به سیم برق هنگام انتقال دستگاه جلوگیری بعمل آورید. خم کردن کابل ممکن است باعث آتش سوزی شود. هرگز اشیاء سنگین را روی کابل برق قرار ندهید. با دستان خیس دوشاخه دستگاه را به پریز وصل نکنید.



- یخچال را می توانید در صورتی که پایه های قابل تنظیم روی کف زمین قرار نرفته باشند، جابجا کنید. تنظیم کردن صحیح پایه های قابل تنظیم روی کف زمین می تواند از حرکت دستگاه جلوگیری بعمل آورد.
- هنگام حمل دستگاه، آن را از دسته در نگه ندارید. در غیر این صورت می شکنند.
- هنگامی که می خواهید دستگاه را در کنار یخچال یا فریزر دیگر قرار دهید، فاصله بین دستگاهها باید حداقل ۸ سانتی متر باشد. در غیر این صورت، ممکن است روی دیواره های کناری دستگاه قطرات آب جمع شود.

در محصولاتی که دارای شیر آب می باشند؛

- فشار آب باید حداقل ۱ بار باشد. فشار آب باید حداکثر ۸ بار باشد.
- فقط از آب آشامیدنی استفاده کنید.

ایمنی کودکان

- اگر در دارای قفل باشد، کلید را باید از دسترس کودکان دور نگاه داشت.
- باید بر کار کودکان نظارت کرد تا یخچال را دستکاری نکنند.

هشدار HCA

اگر دستگاه شما حاوی ماده خنک کننده R600a می باشد موارد زیر را در نظر بگیرید:

- این گاز قابل اشتعال است. بنابراین، توجه داشته باشید که سیستم سرمایش و لوله ها در خلال استفاده و حمل و نقل صدمه نبینند. در صورت صدمه دیدن، دستگاه را در معرض آتش قرار ندهید، دستگاه باید از منابع بالقوه آتشنازا که موجب آتش گرفتن می شود دور باشد و هوای اتاقی که دستگاه در آن قرار دارد باید تهویه

- دوشاخه یخچال را در صورتی که پریز برق شل باشد یا خراب باشد به پریز وصل نکنید.
- به خاطر مسائل ایمنی آب نباید به طور مستقیم روی قطعات داخلی یا خارجی دستگاه پاشیده شود.

مواد حاوی گازهای قابل اشتعال مانند گاز پروپان را در مجاورت دستگاه اسپری نکنید تا از خطر آتش سوزی و انفجار جلوگیری بعمل آورید.

- هرگز ظروف پر شده از آب را در بالای یخچال قرار ندهید در غیر این صورت برق گرفتگی یا آتش سوزی به وجود خواهد آمد.
- یخچال خود را بیش از حد پر نکنید. در صورتی که در یخچال بیش از حد مواد قرار دهید، مواد غذایی ممکن است سقوط کرده و به شما و یخچال به هنگام باز کردن در صدمه بزنند. هرگز اشیاء را در بالای یخچال قرار ندهید. این اشیاء ممکن است هنگام باز و بسته کردن در یخچال سقوط کنند.

گردد.

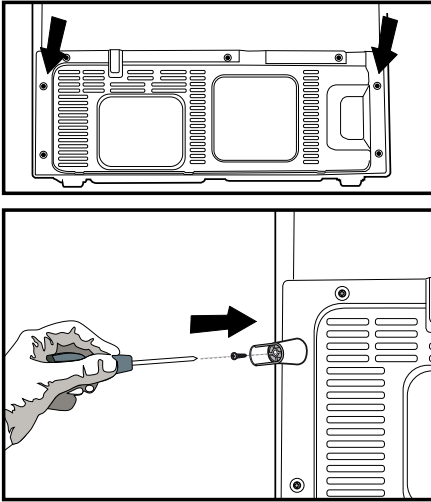
در صورتی که دستگاه شما حاوی **R134a** است این هشدار را نادیده بگیرید.

نوع گاز استفاده شده در این دستگاه در پلاک مدل دستگاه که در داخل یخچال در دیوار سمت چپ قرار گرفته است، قید شده است. برای دفع دستگاه هرگز آن را در آتش نیندازید.

کارهایی که برای صرفه جویی انرژی باید انجام داد.

- درهای یخچال را برای مدت طولانی باز نگذارید.
- مواد غذایی یا نوشیدنی داغ در یخچال نگذارید.
- یخچال را بیش از اندازه بارگیری نکنید بطوریکه از گردش هوای داخل آن جلوگیری شود.
- یخچال را در معرض اشعه مستقیم آفتاب یا در مجاورت وسایل گرم‌گزا مثل اجاق یا ماشین ظرفشویی یا رادیاتور قرار ندهید.
- توجه کنید که مواد غذایی را در ظروف دربسته نگهداری کنید.
- در محصولاتی که دارای بخش فریزر می باشند؛ هنگامی که طبقه یا کشوی فریزر را بردارید می توانید حداکثر مقدار مواد غذایی را در آن ذخیره کنید. مقدار انرژی مصرفی قید شده در یخچال شما بر اساس برداشتن طبقه یا کشوی فریزر و تحت حداکثر میزان بار تعیین شده است. استفاده از کشو یا طبقه بر اساس اندازه و شکل مواد غذایی که باید منجمد شود، خطری ندارد.
- آب کردن یخ مواد غذایی منجمد در بخش یخچال هم باعث صرفه جویی در مصرف انرژی شده و هم کیفیت مواد غذایی را حفظ می کند.

گوه های پلاستیکی فاصله لازم بین یخچال و دیوار را بوجود می آورند تا هوا بتواند گردش کند.



1 لطفا بخطر داشته باشید که اگر موارد مندرج در کتابچه راهنما رعایت نگردد کارخانه مسئول نخواهد بود.

نکاتی که هنگام انتقال دوباره یخچال باید در نظر گرفته شود

1. یخچال شما باید قبل از حمل و نقل ، خالی و تمیز شده باشد.
2. طبقات، متعلقات، محل نگهداری سبزیجات و غیره داخل یخچال شما برای جلوگیری از تکان خوردن باید با نوار چسب قبل از بسته بندی محکم بسته شوند.
3. بسته بندی باید با نوار چسب کاغذی ضخیم و طناب محکم انجام پذیرد و مقررات مندرج در کتابچه راهنما رعایت شود.

1 همیشه به یاد داشته باشید...

هر مواد باز یافتی یک منبع ضروری برای طبیعت و منابع ملی ما است.
اگر می خواهید در باز یافت مواد بسته بندی مشارکت کنید، می توانید اطلاعات بیشتری از مقامات محلی یا محیط زیست خود کسب کنید.

قبل از کار کردن با یخچال

قبل از راه اندازی دستگاه برای استفاده موارد زیر را بررسی کنید:

3. داخل یخچال را به صورت توصیه شده در بخش "نگهداری و تمیز کردن" تمیز کنید.
4. دوشاخه یخچال را در پریز برق بزنید. وقتیکه درب باز میشود لامپ داخلی مربوطه روشن خواهد گردید.
5. شما صداهایی را بهنگام کار کمپرسور خواهید شنید. گازها و مایعات درونی سیستم یخچال حتی اگر کمپرسور کار نکند ممکن است موجب نویز گردند که این امر کاملاً طبیعی است.
6. لبه های جلویی یخچال ممکن است گرم شوند. این امر نرمال است. این نواحی به منظور گرم شدن برای پرهیز از تراکم طراحی شده اند.

1. آیا داخل یخچال خشک است و هوا می تواند آزادانه در پشت آن به گردش درآید؟
2. عدد گوه پلاستیکی را در قاب تهویه پشت به روش نمایش داده شده در شکل زیر جا بزنید. برای انجام این کار، پیچهای روی دستگاه را باز کرده و از پیچهایی که در همان کیسه قرار داده شده اند استفاده کنید.

اتصالات برقی

یخچال را با یک پریز ارت دار که توسط یک فیوز حفاظت شده است و دارای ظرفیت مناسب است به برق وصل کنید.

مهم:

⚠ اتصال باید مطابق مقررات کشوری باشد.

⚠ دوشاخه برق باید بعد از نصب به آسانی در دسترس باشد.

⚠ ولتاژ و فیوز حفاظتی مجاز در بخش "مشخصات" قید شده است.

⚠ ولتاژ تعیین شده باید برابر با ولتاژ برق منزل باشد.

⚠ از کابل‌های اتصال و دوشاخه های چند راهه نباید برای اتصال استفاده کرد.

⚠ یک کابل برق صدمه دیده را باید یک برق کار مجاز تعویض نماید.

⚠ این دستگاه را نباید قبل از تعمیر کردن بکار انداخت! خطر برق گرفتگی وجود دارد!

دور انداختن بسته بندی

⚠ مواد بسته بندی ممکن است برای بچه ها خطرناک باشد. مواد بسته بندی را دور از دسترس کودکان نگه

داری کنید یا آنها را با طبقه بندی کردن بر اساس

دستورالعمل دفع زباله دور بیندازید. این مواد را مانند زباله خانگی دور نیندازید.

بسته بندی یخچال شما از مواد قابل بازیافت تولید شده است.

از رده خارج کردن ماشین قدیمی

دستگاه خود را بدون صدمه رساندن به محیط زیست دور بیندازید.

⚠ می توانید با فروشنده مجاز دستگاه یا مرکز جمع آوری زباله شهرداری خود در مورد دور انداختن یخچال تماس بگیرید.

⚠ قبل از دور انداختن یخچال، دوشاخه برق را بچینید و اگر روی در قفل وجود دارد آن را از کار بیاندازید تا از کودکان در برابر هر گونه خطری حفاظت کنید.

قرار دادن در محل و نصب

⚠ احتیاط: هرگز دوشاخه یخچال را بهنگام نصب به پریز برق نزنید. در غیر این صورت، ریسک جانی یا صدمات جدی بدنیهال خواهد داشت.

⚠ اگر درب ورودی اتاقی که میخواهید یخچال را در آن قرار دهید به اندازه کافی عریض نیست تا یخچال از آن عبور کند، از سرویس مجاز بخواهید که درب ها را از یخچال شما باز کند و یکطرفه از میان درب آن را عبور دهد.

1. یخچال را در محلی قرار دهید که براحتی بتوانید از آن استفاده کنید.

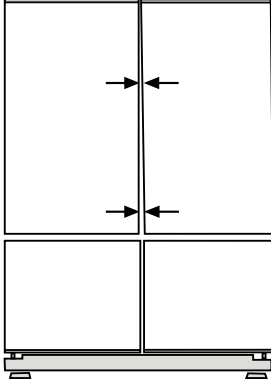
2. یخچال را دور از منابع گرمازا، محل های مرطوب و اشعه مستقیم آفتاب قرار دهید.

3. برای عملکرد موثر یخچال، تهویه کافی و مناسب باید در اطراف یخچال در نظر گرفته شود. اگر یخچال در فرورفتگی دیوار قرار میگیرد، حداقل 5 سانتیمتر

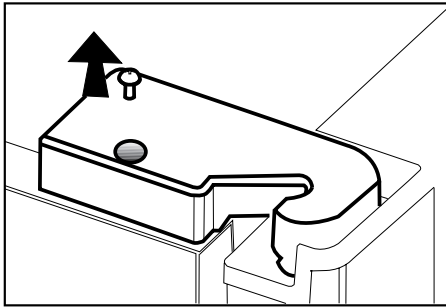
2. بعد از اینکه بالانس دستگاه برقرار شده، قاب تهویه پشت را وصل کنید و پیچهای آن را ببندید.

3. پیچهای محکم کردن قاب تهویه پایین را با استفاده از یک پیچ گوشتی چهارسو باز کنید.

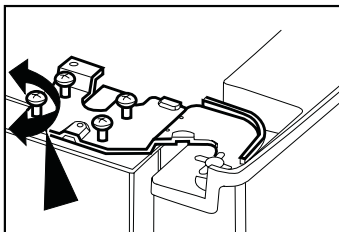
تنظیم فاصله در بالا



1. می توانید فاصله درهای محفظه یخچال را به صورتی که در شکل نمایش داده شده است تنظیم کنید. طبقه های در باید هنگام تنظیم ارتفاع در خالی شوند.



2. با استفاده از یک پیچ گوشتی، پیچ لولای بالای دری که می خواهید تنظیم کنید را باز کنید.



فاصله از سقف و 5 سانتیمتر از دیوار باید در نظر گرفته شود.

اگر کف محل با فرش یا موکت پوشیده شده است، دستگاه باید با فاصله 2.5 سانتیمتر از کف بالانس گردد.

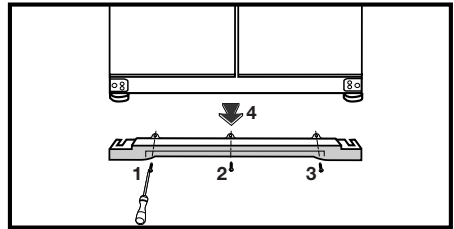
4. یخچال را برای پرهیز از تکان خوردن در سطح هموار قرار دهید.

5. یخچال را در دمای محیط زیر 10 درجه سانتیگراد قرار ندهید.

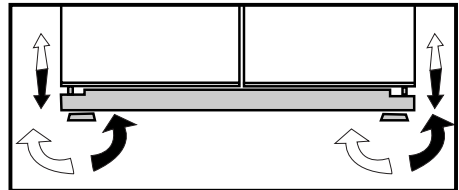
تنظیم تعادل روی زمین

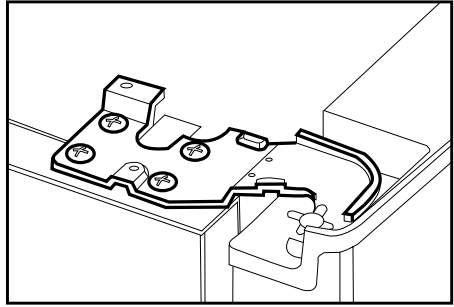
1. اگر یخچال شما بالانس نیست؛

اول دوشاخه برق را از پریز بیرون بکشید. این محصول باید هنگامی تراز کردن دستگاه به برق وصل نباشد. خطر برق گرفتگی وجود دارد.

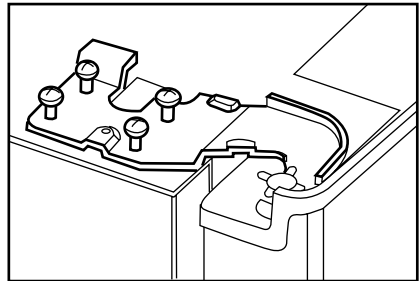


1. قاب تهویه با باز کردن پیچهای آن به روشی که در شکل قبل نمایش داده شده است انجام می شود. شما می توانید یخچال را با چرخاندن پایه های جلویی به گونه ای که در شکل نشان داده شده است بالانس کنید. هنگامی پایه پایین میاید که آن را در جهت پیکان سیاه بچرخانید و هنگامی بلند میشود که در جهت عکس آن را بچرخانید. گرفتن کمک از شخصی که کمی یخچال را بلند کند این کار را تسهیل میکند.

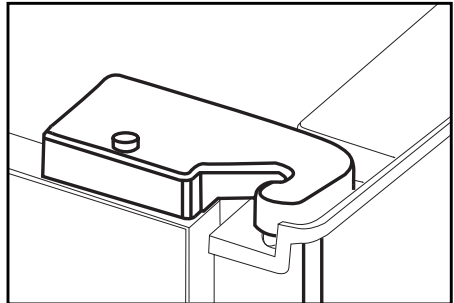




i در را با شل کردن پیچهایش به صورت مناسب تنظیم کنید.



i دری که تنظیم کرده اید را با محکم کردن پیچها بدون تغییر دادن وضعیت در ثابت نمایید.



i قاب لولا را در جای خود قرار دهید و با پیچ ببندید.

نصب فیلتر آب

(در برخی از مدلها)

دو نوع منبع آب را می توان به عنوان ورودی آب یخچال استفاده کرد: آب سرد از لوله آب شهری و آب درون یک منبع.

نیازمندیهای نصب

برای استفاده از یک منبع آب باید از یک پمپ استفاده کنید.

بررسی کنید که قطعات قید شده در زیر همراه با دستگاه شما ارائه شده باشند.

1. مهره اتصال لوله آب به پشت دستگاه (اگر مهره بزرگ یا کوچک بود، آن را از نزدیکترین مرکز خدمات مجاز تهیه کنید).
2. بست لوله 2 قطعه (در صورتی که باید لوله آب را محکم کرد).

توجه: چون قطعات زیر برای استفاده از منبع آب لازم نمی باشند، ممکن است هنگام خرید با دستگاه ارائه نشوند.

3. لوله آب 5 متری (قطر 1/4 اینچ)

4. شیر آب سرد با فیلتر توری (تبدیل شیر)

5. فیلتر آب با فیلتر وصل شده خارجی باید در پایه داخل بخش یخچال نصب شود.

محلی که فیلتر خارجی باید در آنجا نصب شود را قبلاً تعیین کنید. (در مورد فیلترهایی که بیرون از یخچال استفاده می شوند اعمال می گردد.) سپس فاصله بین فیلتر و یخچال را تعیین کنید و طول شیلنگ از فیلتر به ورودی آب یخچال را هم تعیین کنید.

فیلتر آب باید مانند تصویر به صورت عمودی قرار داده شوند. نصب صحیح فیلتر به ورودی آب و نقاط خروجی آب مهم می باشد.

بعد از وصل کردن فیلتر، از 3 تا 4 لیوان اول آب استفاده نکنید.

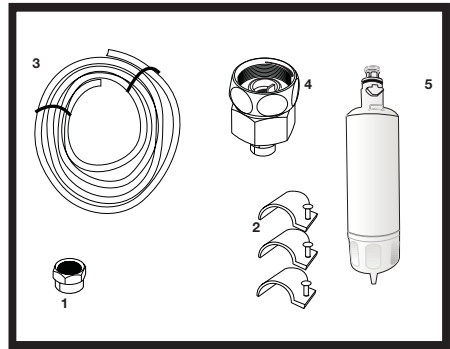
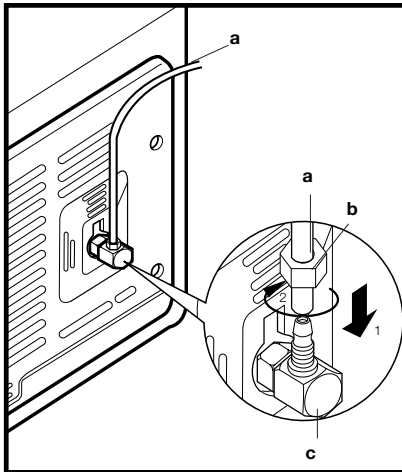
اتصال لوله آب به یخچال

1. بعد از سوار کردن مهره روی لوله آب، لوله آب را در شیر ورودی یخچال با فشار به طرف پایین جا بزنید.

2. مهره ای را به صورتی که در شکل روبرو نمایش داده شده است با فشار دست در شیر ورودی یخچال جا بزنید.

(a- لوله آب، b- مهره، c- شیر)

ⓘ نکته 1: نباید مهره را با ابزاری محکم کنید که محل نصب نشست نکند. در صورت نشست آب با یک آچار لوله گیر یا انبردست مهره را سفت کنید.



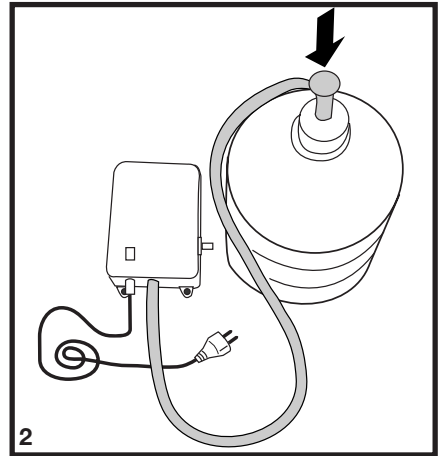
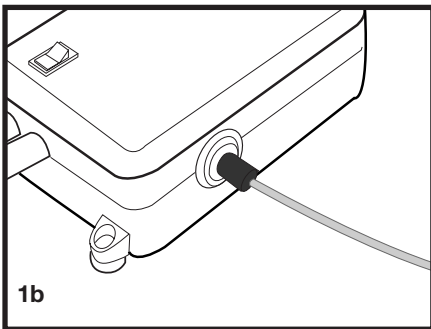
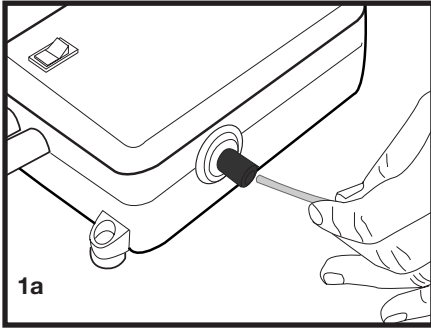
اتصال شیلنگ آب به مخزن

(در برخی از مدلها)

برای وصل کردن آب یخچال از طریق مخزن به پمپ نیاز دارید. بعد از وصل کردن یک سر لوله آب که از پمپ خارج می شود به یخچال به روشی که در مرحله قبل شرح داده شد، دستورالعملهای زیر را دنبال کنید.

1. اتصال را با فشار دادن سر دیگر لوله آب به وروی لوله آب پمپ به صورتی که در تصویر نمایش داده شده است تکمیل کنید.

2. شیلنگ پمپ به مخزن را به صورتی که در تصویر نمایش داده شده است، نصب و محکم کنید.
3. بعد از انجام اتصالات، دستگاه را به برق وصل کنید و پمپ را به کار اندازید.
برای عملکرد مؤثر پمپ 2 تا 3 دقیقه بعد از بکار انداختن پمپ صبر کنید.
i هنگام انجام اتصالات آب می توانید به دفترچه راهنمای کاربر پمپ مراجعه کنید.
i در صورتی که از مخزن آب استفاده شود، نیازی به استفاده از فیلتر آب نیست.
i هنگام استفاده از مخزن باید از پمپ استفاده کنید.

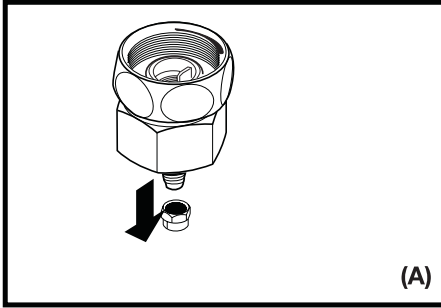


اتصال لوله آب به لوله آب سرد اصلی

(در برخی از مدلها)

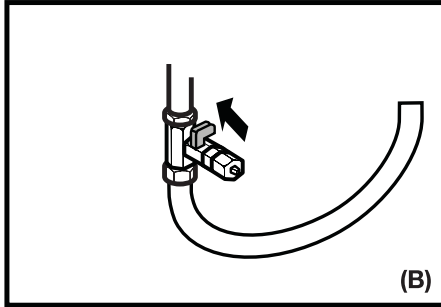
اگر بخواهید از یخچال خود با اتصال آن به لوله آب سرد خانه استفاده کنید مراحل زیر را انجام دهید.

باید یک شیر نیم اینچ را به لوله آب سرد خانه وصل کنید. در صورتی که این شیر موجود نباشد یا در حالتی که مطمئن نیستید با یک لوله کش متخصص تماس بگیرید.



(A)

1. مهره را از تبدیل شیر باز کنید. (شکل A)
2. تبدیل شیر را به شیر نیم اینچ به صورتی که در تصویر نمایش داده شده است وصل کنید. (شکل B)
3. بعد از جا زدن لوله آب در مهره، آن را به صورتی که در شکل نمایش داده شده است به تبدیل شیر وصل کنید. (شکل C)

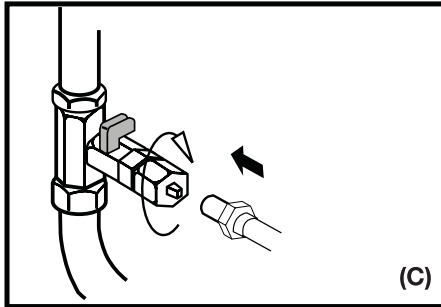


(B)

4. مهره را با دست ببندید. در صورت نشئت آب با یک آچار لوله گیر یا انبردست مهره را سفت کنید. **⚠ احتیاط:** لوله آب را به نقاط مناسب با استفاده از بست لوله وصل کنید تا از آسیب رسیدن یا جابجا شدن یا قطعی تصادفی جلوگیری بعمل آید.

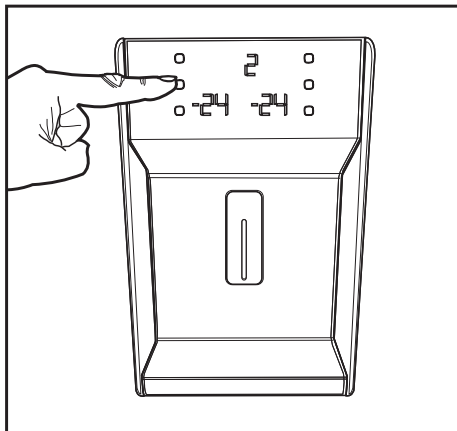
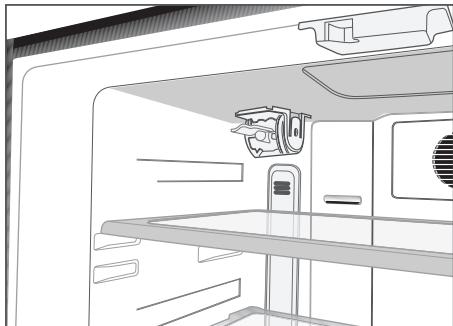
⚠ احتیاط: بعد از باز کردن شیر آب، مطمئن شوید که نشئی در نقاط اتصال لوله آب وجود ندارد. در صورت وجود نشئی، شیر آب را فوراً ببندید و تمامی اتصالات را با استفاده از یک آچار لوله گیر یا انبردست محکم کنید.

⚠ احتیاط: مطمئن شوید که آب در شیر استاندارد لوله کشی 2/1 اینچ به شیر آب سرد، موجود است و کاملاً بسته شده است.

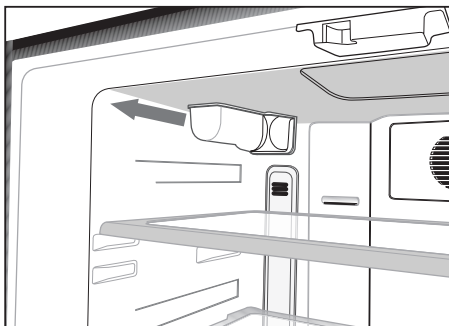
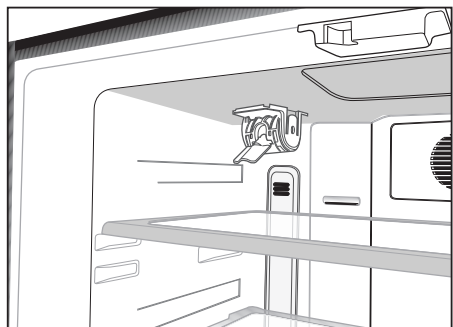


(C)

3. قاب بای باس فیلتر آب را با چرخاندن به طرف پایین بیرون بکشید.
- برای جا زدن فیلتر آب دستورالعملهای زیر را با رجوع به تصاویر ارائه شده دنبال کنید:
1. دکمه لغویخ در نمایشگر را فشار دهید.



2. قاب فیلتر در محفظه یخچال را با کشیدن به طرف خود بردارید.

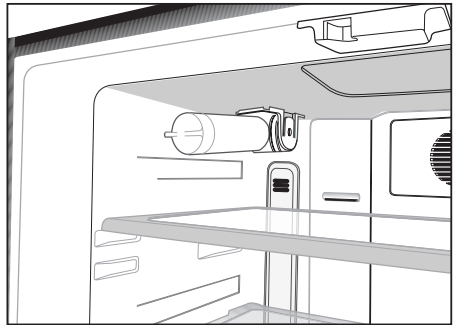
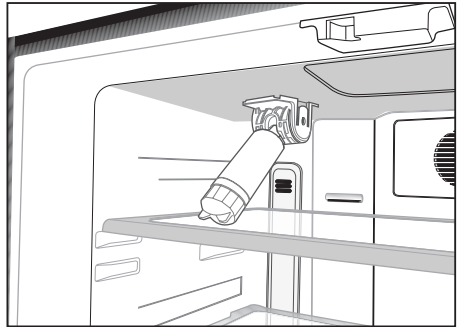


- ⚠ احتیاط: مطمئن شوید که قبل از باز کردن کاور بای پای، حالت "Ice off" (خاموش بودن تولید یخ) فعال می باشد.
- توجه: چکیدن چند قطره آب بعد از جدا کردن کاور عادی می باشد.
4. در روی فیلتر آب را به صورتی که در شکل نمایش داده شده است بردارید و به طرف بالا بچرخانیده تا قفل شود.
5. دکمه لغویخ در نمایشگر را دوباره فشار دهید تا از این حالت خارج شوید.
- فیلتر آب باید هر 6 ماه یکبار تعویض شود.
- اگر بخواهید زمان تعویض فیلتر به طور اتوماتیک محاسبه شود و در پایان زمان استفاده هشدار را دریافت کنید، لطفاً به بخش «محاسبه اتوماتیک زمان تعویض» مراجعه کنید.

فیلتر آب باید مانند حالتی که در تصویر نمایش داده شده است در زمان معین یا هنگامی که دیگر از آن استفاده نمی شود باید تعویض شود و قاب بای پاس باید وصل شود. باید فیل از بیرون کشیدن مطمئن شوید که حالت "Ice off" (خاموش بودن تولید یخ) فعال است.

⚠ احتیاط: فیلتر آب برخی از ذرات خارجی در آب را تصفیه کرده و آب را تمیز می کند. این فیلتر میکرو ارگانیزمهای آب را تصفیه نمی کند.

⚠ احتیاط: دکمه خاموش کردن یخ باید همیشه در حین تعویض فیلتر آب یا نصب کاور بای پاس فشار داده شود.



قبل از اولین بار استفاده از شیر آب

❗ فشار آب لوله اصلی نباید زیر 1 بار باشد.

❗ فشار آب لوله اصلی نباید بالای 8 بار باشد.

❗ در صورتی که فشار آب لوله کمتر از 1 بار باشد

یا اگر قصد استفاده از مخزن آب را داشته باشید، باید از پمپ استفاده کنید.

❗ سیستم آب یخچال باید به لوله آب اصلی وصل

باشد. نباید شیر آب را به لوله آب داغ وصل کرد.

❗ در ابتدای کار یخچال نمی توانید از آب استفاده

کنید. این بخاطر هوای موجود در سیستم می باشد.

برای تخلیه هوا از سیستم، اهرم توزیع کننده را بمدت

1 دقیقه فشار دهید تا آب از توزیع کننده بیرون بیاید.

جریان آب ممکن است در ابتدا نامنظم باشد. جریان آب

نامنظم بعد از تخلیه هوای سیستم منظم می شود.

❗ در زمان شروع به کار یخچال حدود 12 ساعت

باید کار کند تا بتوانید از آب یخ آن استفاده کنید.

❗ فشار آب لوله باید بین 1-8 بار باشد تا توزیع کننده

آب/یخ بطور عادی کار کند. برای این کار، 1 لیوان آب

(100 سی سی) باید در عرض 10 ثانیه پر شود.

❗ 10 لیوان آب اول را نباید استفاده کرد.

❗ حدود 30 تکه یخ اول که از توزیع کننده یخ خارج

می شود را نباید مصرف نمایید.

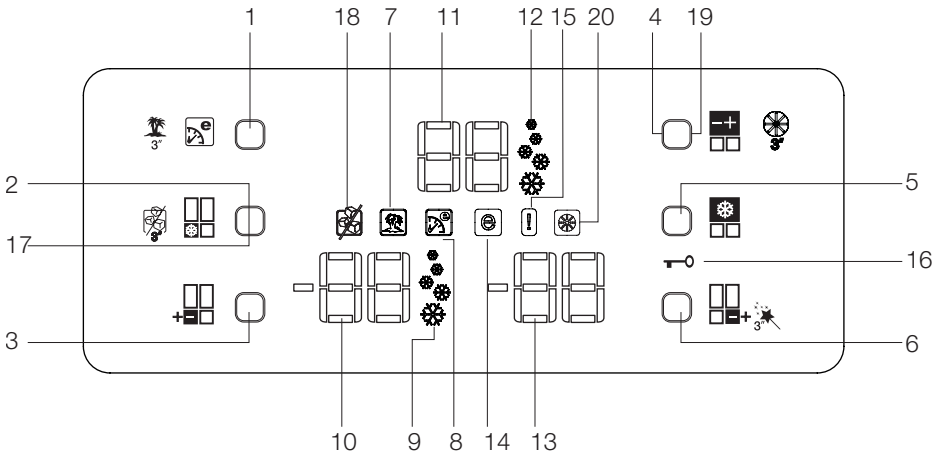
❗ همیشه هنگامی که از مخزن استفاده نمی کنید، از

فیلتر آب استفاده کنید.

- ❶ یخچال شما باید در محلی با حداقل 30 سانتیمتر فاصله از منابع گرمازا مثل بخاری دیواری، اجاق، شوفاژ و فر و با 5 سانتیمتر فاصله از اجاق های برقی نصب گردد و نباید در معرض مستقیم اشعه آفتاب قرار گیرد.
- ❷ دمای محیط اتاق که یخچال در آن قرار گرفته است باید حداقل 10 درجه سانتیگراد باشد. راه اندازی یخچال در شرایط محیطی سردتر از این با توجه به راندمان یخچال توصیه نمی گردد.
- ❸ لطفا مطمئن شوید که داخل یخچال شما کاملا تمیز می باشد.
- ❹ اگر دو یخچال کنار یکدیگر قرار می گیرند باید حداقل 2 سانتیمتر از هم دیگر فاصله داشته باشند.
- ❺ وقتی که یخچال برای بار اول راه اندازی می شود، لطفا موارد زیر را در خلال کارکرد شش ساعت اول رعایت نمایید.
- درب نباید متناوبا باز گردد.
 - باید بدون قرار دادن مواد غذایی و خالی کار کند.
 - یخچال را بیش از حد بارگیری نکنید. اگر برق قطع گردید، لطفا به قسمت اخطار ها " کارهایی که باید قبل از فرخواندن سرویس مجاز انجام دهید" مراجعه کنید.
- ❻ بسته بندی اصلی و مواد فومی باید برای حمل و نقل یا جابجایی آتی نگهداری گردد.

پانل نشانگر

پانل کنترل لمسی به شما اجازه می دهد تا درجه حرارت را بدون باز کردن در یخچال تنظیم کنید. فقط کافی است که دکمه مربوطه را با انگشت فشار دهید تا درجه حرارت را تنظیم کنید.



- | | |
|-------------------------------------|--------------------------------------|
| 11. نشاندهنده دمای محفظه یخچال | 1. دکمه اکو اکسترا/تعطیلات |
| 12. نشانگر عملکرد خنک کردن سرد | 2. دکمه فریز سریع |
| 13. دکمه تنظیم درجه حرارت بخش فلکسی | 3. دکمه تنظیم درجه حرارت محفظه فریزر |
| 14. نشاندهنده حالت اقتصادی | 4. دکمه تنظیم درجه حرارت محفظه یخچال |
| 15. نشاندهنده وضعیت خطا | 5. دکمه خنک کردن سرد |
| 16. نشاندهنده قفل کلید | 6. دکمه تنظیم درجه حرارت بخش فلکسی |
| 17. دکمه لغو یخ | 7. نشانگر عملکرد تعطیلات |
| 18. نشاندهنده خاموش بودن یخ | 8. نشاندهنده عملکرد اکسترا اکو |
| 19. دکمه لغو هشدار تغییر فیلتر | 9. نشانگر عملکرد فریز سریع |
| 20. نشانگر هشدار تغییر فیلتر | 10. نشاندهنده دمای محفظه فریزر |

1. دکمه اکو اکسترا/تعطیلات

دکمه Eco Extra را برای مدت کوتاه جهت فعال کردن عملکرد فشار دهید. این دکمه را برای 3 ثانیه فشار دهید و نگه دارید تا عملکرد تعطیلات فعال شود. این دکمه را مجدداً فشار دهید تا عملکرد انتخاب شده غیر فعال شود.

2. دکمه فریز سریع

این دکمه را برای مدت کوتاه فشار دهید تا عملکرد انجماد سریع فعال شود. این دکمه را مجدداً فشار دهید تا عملکرد انتخاب شده غیر فعال شود.

3. دکمه تنظیم درجه حرارت محفظه فریزر

این دکمه را به ترتیب برای تنظیم درجه حرارت محفظه فریزر در درجه حرارت‌های -18، -20، -22 و -24، -18 ... فشار دهید. این دکمه را فشار دهید تا درجه حرارت دلخواه بخش فریزر را انتخاب کنید.

4. دکمه تنظیم درجه حرارت محفظه یخچال

این دکمه را به ترتیب برای تنظیم درجه حرارت محفظه یخچال به ترتیب در درجه حرارت‌های 4، 6، 8، 2، 8 ... فشار دهید. این دکمه را فشار دهید تا درجه حرارت دلخواه بخش یخچال را انتخاب کنید.

5. دکمه خنک کردن سرد

این دکمه را برای مدت کوتاه فشار دهید تا عملکرد خنک کردن سریع فعال شود. این دکمه را مجدداً فشار دهید تا عملکرد انتخاب شده غیر فعال شود.

6. دکمه تنظیم درجه حرارت بخش فلکسی

می‌توانید محفظه فلکسی را به عنوان فریزر یا خنک کننده تنظیم کنید. این دکمه را برای زمان طولانی (3 ثانیه) فشار داده و نگه دارید تا محفظه ذخیره فلکسی را به عنوان فریزر یا خنک کننده تنظیم کنید. این بخش در کارخانه به عنوان بخش فریزر تنظیم شده است.

7. نشانگر عملکرد تعطیلات

این نشانگر فعال بودن عملکرد تعطیلات را نشان می‌دهد. اگر این عملکرد فعال باشد، "-" در بخش نشانگر یخچال نمایش داده می‌شود و هیچ نوع خنک‌کنندگی در بخش یخچال انجام داده نخواهد شد. سایر بخشها مطابق درجه حرارتی که برای آنان تنظیم شده است کار خواهند کرد.

دکمه مربوطه را مجدداً فشار دهید تا عملکرد انتخاب شده غیر فعال شود.

8. نشاندهنده عملکرد اکسترا اکو

این نشانگر فعال بودن عملکرد اکسترا اکو را نشان می‌دهد. اگر این عملکرد فعال باشد، یخچال شما به صورت اتوماتیک آخرین دوره استفاده را شناسایی خواهد کرد و خنک‌کنندگی با صرفه جویی در انرژی در این زمانها انجام داده خواهد شد. نشانگر اقتصادی هنگام اجرای خنک‌کنندگی با صرفه جویی در انرژی فعال خواهد شد.

دکمه مربوطه را مجدداً فشار دهید تا عملکرد انتخاب شده غیر فعال شود.

9. نشانگر عملکرد فریز سریع

این نشانگر فعال بودن عملکرد فست فریز را نشان می دهد. هنگامی که غذای تازه را در بخش فریزر قرار می دهید یا هنگامی که به یخ نیاز دارید از این عملکرد استفاده کنید. هنگامی که این عملکرد فعال باشد، یخچال شما برای یک دوره زمانی خاص بدون وقفه کار خواهد کرد.

دکمه مربوطه را مجدداً فشار دهید تا عملکرد انتخاب شده غیر فعال شود.

10. نشاندهنده دمای محفظه فریزر

این نشان می دهد که دما برای محفظه فریزر تنظیم می باشد.

11. نشاندهنده دمای محفظه یخچال

این نشان می دهد که دما برای محفظه یخچال تنظیم شده است.

12. نشانگر عملکرد خنک کردن سرد

این نشانگر فعال بودن خنک کنندگی سریع را نشان می دهد. هنگامی که غذای تازه را در بخش یخچال قرار می دهید یا هنگامی که نیاز دارید مواد غذایی را سریع خنک کنید از این عملکرد استفاده کنید. هنگامی که این عملکرد فعال باشد، یخچال شما برای 2 ساعت بدون وقفه کار خواهد کرد.

دکمه مربوطه را مجدداً فشار دهید تا عملکرد انتخاب شده غیر فعال شود.

13. دکمه تنظیم حرارت بخش فلکسی

نشاندهنده این است که درجه حرارت تنظیم شده برای بخش فلکسی زون انجام داده شده است.

14. نشاندهنده حالت اقتصادی

نشاندهنده این است که یخچال در حالت صرفه جویی انرژی در حال کار است. درجه حرارت محفظه فریزر این نشانگر در صورتی فعال خواهد بود که این عملکرد روی -18 یا روی خنک کنندگی با صرفه جویی در انرژی به خاطر فعال بودن عملکرد اکسترا تنظیم شده باشد.

15. نشاندهنده وضعیت خطا

اگر یخچال به اندازه کافی خنک نشود یا اگر حسگر خراب شود این نشانگر فعال خواهد شد. هنگامی که این نشانگر فعال باشد، نشانگر درجه حرارت بخش فریزر "E" را نمایش خواهد داد و نشانگر درجه حرارت بخش یخچال اعدادی مانند "1,2,3..." را نمایش خواهد داد. این اعداد در نشانگر اطلاعاتی در مورد خطایی که رخ داده است را به پرسنل سرویس ارائه خواهد نمود.

16. نشاندهنده قفل کلید

از این عملکرد هنگامی استفاده کنید که نمی خواهید تنظیم درجه حرارت یخچال تغییر داده شود. دکمه Quick Cool (خنک کنندگی سریع) و دکمه تنظیم درجه حرارت بخش فلکسی زون را همزمان به مدت طولانی (3 ثانیه) نگاه دارید تا این ویژگی فعال گردد.

دکمه های مربوطه را مجدداً فشار دهید تا عملکرد انتخاب شده غیر فعال شود.

17. دکمه لغو یخ

جهت توقف از ساخته شده یخ، دکمه لغو یخ باید برای 3 ثانیه فشار داده شود. هنگامی که لغو یخ انتخاب شده باشد، آبی به جعبه یخ فرستاده نخواهد شد. علی رغم این مسئله، ممکن است قدری یخ در جعبه یخ باقی بماند که می توانید آن را بعداً از آنجا بردارید. جهت شروع مجدد ساخته شدن یخ، دکمه لغو یخ باید برای 3 ثانیه فشار داده شود.

18. نشانگر لغو یخ

اگر نخواهید یخچال یخ درست کند باید از این عملکرد استفاده کنید. می توانید از این عملکرد با فشار دادن دکمه لغو به مدت 3 ثانیه استفاده کنید.

19. دکمه لغو هشدار تغییر فیلتر

فیلتر یخچال شما باید هر 6 ماه یکبار تعویض شود. یخچال شما این زمان را به صورت اتوماتیک محاسبه خواهد کرد و نشانگر تغییر فیلتر هنگام به پایان رسیدن زمان استفاده از فیلتر روشن خواهد شد. دکمه لغو هشدار تعویض فیلتر را به مدت 3 ثانیه فشار دهید تا یخچال بتواند زمان تعویض فیلتر جدید را بعد از تعویض فیلتر به صورت اتوماتیک محاسبه نماید.

20. نشانگر لغو هشدار تغییر فیلتر

هنگامی که زمان استفاده فیلتر به پایان رسیده باشد، نشانگر هشدار فیلتر روشن خواهد شد.

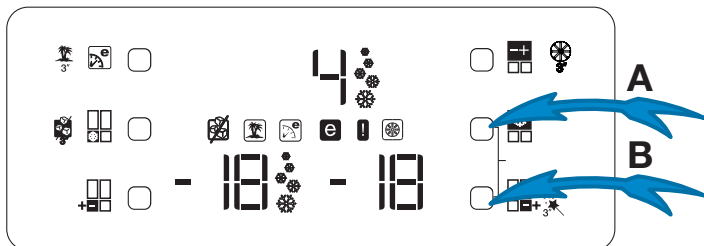
هشدار باز بودن درب

چنانچه در بخش یخچال یا درهای بخش فلکسی زون حداقل برای 1 دقیقه باز بمانند، صدای بوق هشدار فعال خواهد شد و به صدا در خواهد آمد. فقط کافی است که یکی از دکمه های روی نشانگر را فشار دهید یا در را ببندید تا صدای بوق قطع شود.

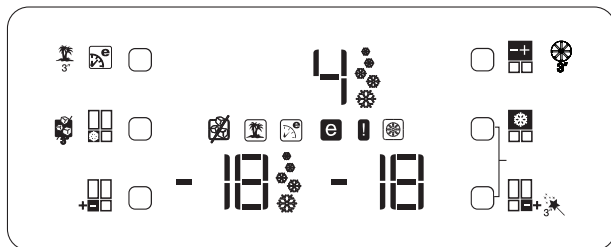
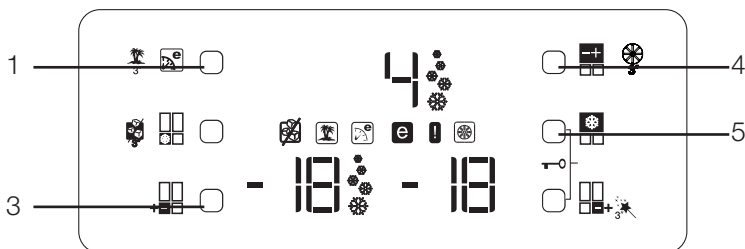
کارهایی که باید انجام داد تا زمان استفاده فیلتر به صورت اتوماتیک محاسبه شود

(برای محصولاتی که لوله آب وصل شده اند و به فیلتر مجهز می باشند)

1- بعد از وصل کردن دوشاخه یخچال، دکمه های A و B را همراه با یکدیگر فشار دهید تا قفل کلید فعال شود.



2- سپس به ترتیب دکمه های اکوسترا (1)، تنظیم درجه حرارت بخش یخچال (4)، خنک کردن سریع (5) و تنظیم درجه حرارت بخش فریزر را فشار دهید.



اگر دکمه ها به ترتیب خاص فشار داده شده باشند، علامت کلید قفل خاموش خواهد شد، بوق برای مدت کوتاهی فعال می شود و نشانگر هشدار تعویض فیلتر روشن می شود. دکمه لغو هشدار تغییر فیلتر را (مورد 19 در توضیحات صفحه نمایش) بعد از اینکه زمان استفاده از فیلتر به صورت اتوماتیک تنظیم شد، فشار دهید.

❗ اگر زمان استفاده از فیلتر به صورت اتوماتیک محاسبه شده باشد، نشانگر هشدار تغییر فیلتر بعد از اینکه دستگاه به برق وصل شد برای چند ثانیه روشن خواهد شد.

❗ محاسبه اتوماتیک زمان استفاده از فیلتر در کارخانه فعال نشده است. آن را باید در محصولات مجهز به فیلتر فعال نمود.

❗ همین روش را در مورد محصولاتی که محاسبه اتوماتیک زمان استفاده از فیلتر فعال شده است انجام دهید تا زمان استفاده از فیلتر را محاسبه کنید.

سینی تخم مرغ

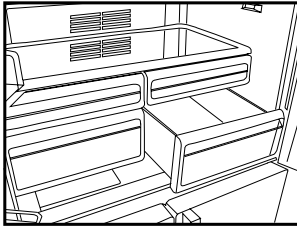
شما می‌توانید نگهدارنده تخم مرغ را به درب مورد نظر یا بدنه طبقه نصب کنید. هرگز نگهدارنده تخم مرغ را در محفظه فریزر نگاه ندارید.

طبقات کشویی داخل یخچال

طبقات کشویی داخل یخچال را می‌توان با اندکی بلند کردن از جلو و حرکت دادن به جلو و عقب بیرون کشید. این طبقات هنگامی که به جلو کشیده شوند به یک نقطه توقف می‌رسند و به شما اجازه می‌دهند تا به مواد غذایی قرار داده شده در پشت طبقه دسترسی داشته باشید؛ هنگامی که کمی بلند شود و به جلو کشیده شود و به نقطه توقف دوم برسد، طبقه آزاد می‌شود. طبقه را باید از ته محکم نگاه داشت تا از برگشتن آن جلوگیری بعمل آید. بدنه طبقه روی ریلهایی در کناره‌های بدنه یخچال قرار گرفته است و با پایین آوردن یا بالا بردن به سطوح بالاتر جابجا می‌شود. بدنه طبقه باید به طرف عقب فشار داده شود تا بطور کامل در جای خود قرار گیرد.

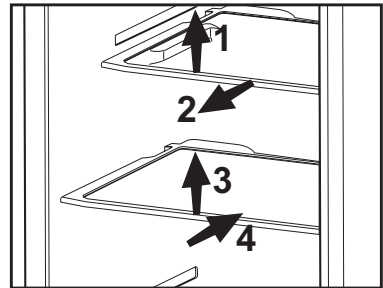
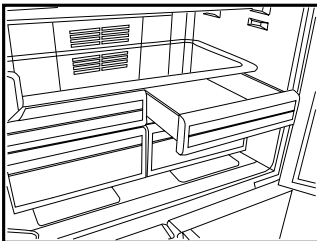
محل نگهداری سبزیجات

بخش سبزیجات یخچال شما بطور ویژه برای تازه نگاه داشتن سبزیجات شما بدون از دست دادن رطوبتشان طراحی شده است. برای این منظور، گردش هوای سرد در اطراف محفظه نگهداری سبزیجات انجام داده می‌شود. طبقات در که با بخش نگهداری سبزیجات یک امتداد قرار گرفته اند را قبل از جدا کردن بخش نگهداری سبزیجات بردارید. می‌توانید بخش نگهداری سبزیجات را به صورت که در شکل نمایش داده شده است جدا کنید.

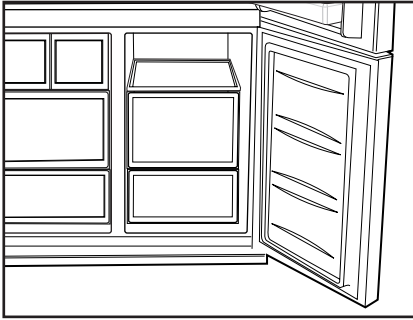


محفظه سردکن

محفظه سردکن می‌تواند غذایی که باید منجمد شود را برای انجماد آماده سازد. همچنین می‌توانید این قسمتها را برای نگهداری مواد غذایی در درجه حرارتی کمتر از درجه حرارت یخچال، استفاده کنید. می‌توانید حجم داخل یخچال را با برداشتن بخش خنک کننده دلخواه افزایش دهید. برای انجام این کار، بخش مورد نظر را به طرف خود بکشید، محفظه روی متوقف کننده خم می‌شود و متوقف می‌گردد. این بخش هنگامی که آن را حدود 1 سانتی متر بلند کنید آزاد خواهد شد و سپس آن را به طرف خود بکشید.



بخش میانی متحرک



بخش متحرک وسط برای جلوگیری از خروج هوای سرد داخل یخچال به خارج تعبیه شده است.

1- هنگامی که واشر روی در روی سطح بخش متحرک میانی فشار وارد می کند و در حالی که درهای بخش یخچال بسته می باشند، آب بندی ایجاد خواهد شد.

2- دلیلی دیگری که از بخش متحرک وسط در یخچال استفاده شده است این است که این بخش حجم خالص بخش یخچال را افزایش می دهد. بخشهای وسط استاندارد برخی از حجم یخچال را اشغال می کنند.

3- بخش متحرک میانی هنگامی که در سمت چپ بخش یخچال بسته باشد، بسته خواهد شد.

4- نباید به صورت دستی باز شود. این بخش با استفاده از قطعه پلاستیکی روی بدنه هنگامی که در بسته شود، حرکت خواهد کرد.

① ویژگی تغییر وضعیت به بخش فریزر یا بخش یخچال توسط یک قطعه خنک کننده که در بخش پشت دستگاه (بخش کمپرسور) قرار گرفته است ارائه می شود. در حین کار، صوتی شبیه صدای تیک تیک ساعت ممکن است به گوش رسد. این مسئله عادی است و عیب دستگاه محسوب نمی شود.

قفسه های ذخیره کردن محفظه فلکسی زون

بخش ذخیره فلکسی زون یخچال شما را می توان در حالت دلخواه با تنظیم در درجه حرارت های یخچال (2/4/6/8 درجه سانتی گراد) یا فریزر (18/-/20/-/22/-/24-) مورد استفاده قرار داد. می توانید دمای محفظه را با استفاده از ”دکمه تنظیم درجه حرارت محفظه فلکسی زون“ روی درجه حرارت دلخواه تنظیم کنید. درجه حرارت محفظه نگهداری فلکسی زون را می توان بین 0 تا 10 درجه علاوه بر درجه حرارت های یخچال و تا 6- درجه علاوه بر درجه حرارت های محفظه فریزر نگاه داشت. 0 درجه برای نگهداری طولانی تر محصولات غذایی و 6- درجه برای نگهداری گوشت تا 2 هفته در وضعیت قابل برش مورد استفاده قرار می گیرد.

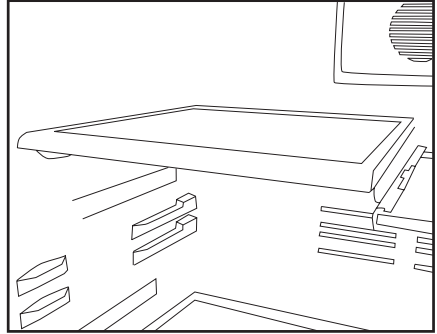
روشنایی آبی

مواد غذایی نگهداری شده در محل نگهداری سبزیجات با روشنایی نور آبی به عمل فتوسنتز با طول موج موثر نور آبی ادامه می یابد و بنابراین محتویات درونی این محل تازه و ویتامین های مربوطه افزایش می یابند.



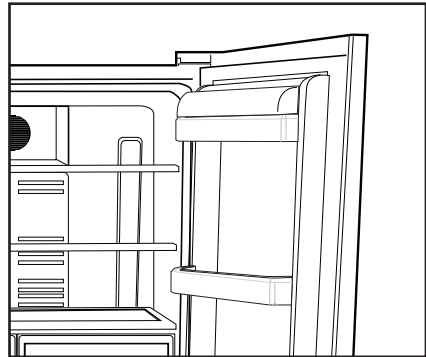
طبقات کشویی بدنه با قلابهای پشت

طبقات کشویی بدنه با قلابهای پشت را می توان به جلو و عقب حرکت داد. ارتفاع این طبقات را می توان با برداشتن و سپس نصب کردن آنان در وضعیت بالا یا پایین، تنظیم نمود. طبقه را کمی به بالا بلند کنید و آن را به طرف خود بکشید تا جدا شود.



بخش کره و پنیر

می توانید موادی مانند کره، پنیر و مارگارین را در بخش که دارای در می باشد، نگهداری کنید.

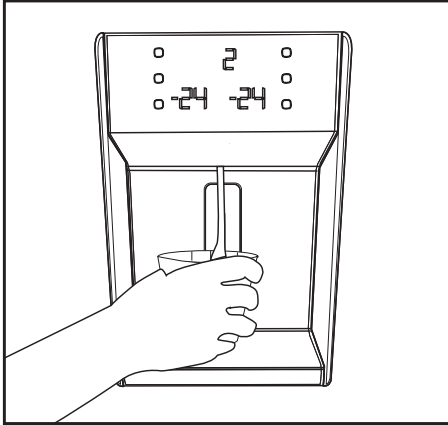


استفاده از توزیع کننده آب

اخطارها

اگر چند لیوان اول آب دستگاه توزیع کننده گرم باشد، این عمل عادی است.

در مواردی که توزیع کننده آب بطور مکرر استفاده نشده باشد، آب به مقدار کافی باید از توزیع کننده تخلیه شود تا آب تازه از دستگاه دریافت کرد.



سینی ریزش

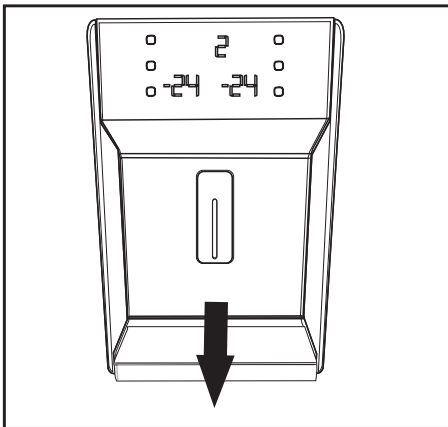
قطرات آب که در حین استفاده می ریزند در سینی

ریزش جمع خواهند شد. می توانید سینی چکه را با

کشیدن به طرف خود یا فشار دادن بر روی لبه جدا

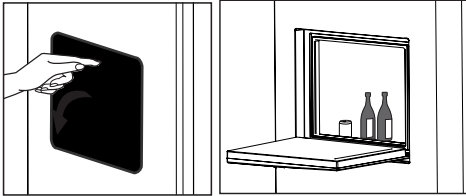
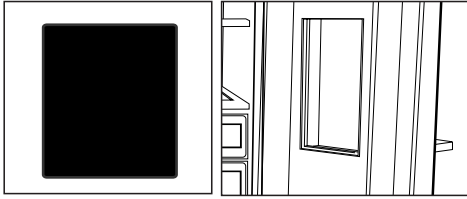
کنید (بر اساس مدل). می توانید آب جمع شده را با یک

ابر یا پارچه نرم جمع آوری کنید.



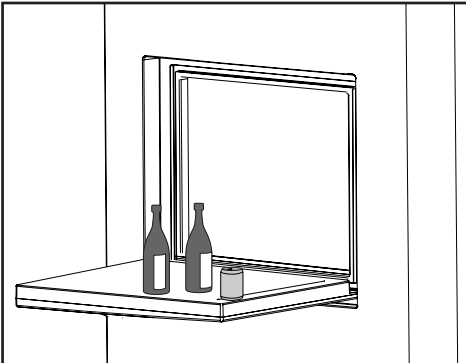
مینی بار

در مینی بار به شما راحتی بیشتر در هنگام استفاده از یخچال را ارائه می کند. به این در می توان بدون باز کردن در یخچال دسترسی پیدا کرد؛ بخاطر این ویژگی می توانید به سادگی مواد غذایی و نوشیدنی که به طور مرتب مصرف می کنید را از یخچال بردارید. چون نیازی به باز کردن مکرر در یخچال وجود ندارد، مصرف برق یخچال پایین خواهد آمد.



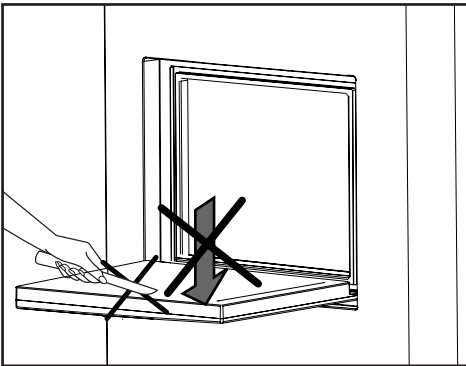
برای باز کردن در مینی بار، روی در مینی بار فشار وارد کنید و آن را برای باز کردن به عقب بکشید.

هنگامی که در مینی بار باز شود، می توانید از سطح داخلی در به عنوان میزی استفاده کرده و بطریها و لیوانها را برای مدت کوتاه، به صورتی که در تصویر نمایش داده شده است، روی آن قرار دهید.



⚠ احتیاط: هرگز کاری نکنید که روی در فشار وارد شود، مانند نشستن روی در، بالا رفتن یا آویزان شدن از در و اشیاء سنگین را هم روی آن قرار ندهید. این کار ممکن است باعث آسیب رسیدن به یخچال و یا ایجاد جراحات فردی شود.

⚠ احتیاط: هرگز چیزی را روی در مینی بار برش ندهید و دقت کنید که اشیاء نوک تیز به در آسیب نرسانند.



حفاظت سطوح پلاستیکی

- ① روغن های مایع یا غذاهای روغن دار پخته شده را در یخچال در ظروف غیر آب بندی شده نگذارید چرا که آنها به سطوح پلاستیکی یخچال صدمه میزنند. در صورت ترشح یا آلودگی روغن روی سطوح پلاستیکی، آن قسمت را فوری با یک تکه پارچه آغشته به آب گرم پاک کنید.
- ⚠ هرگز از بنزین یا مواد مشابه آن برای تمیز کردن استفاده نکنید.
- ⚠ توصیه می کنیم که دوشاخه دستگاه را قبل از تمیز کردن از پریز بیرون بکشید.
- ① هرگز برای تمیز کردن یخچال از ابزار تیز یا مواد خشن، تمیز کننده خانگی و واکس پولیش استفاده نکنید.
- ① از آب گرم برای تمیز کردن کابینت دستگاه استفاده کرده و بعد خشک کنید.
- ① با استفاده از یک پارچه که آغشته به محلولی که با مقدار یک قاشق چایخوری در یک پاینت آب تهیه شده است برای پاک کردن داخل یخچال استفاده کنید و بعد آن را خشک کنید.
- ⚠ مطمئن شوید که آب داخل محفظه لامپ و سایر اقلام الکتریکی نگرند.
- ⚠ اگر از یخچال برای منت طولانی استفاده نمیکنید، دوشاخه آن را از برق بکشید و کلیه مواد غذایی را از آن خارج کرده و درب آن را نیمه باز رها کنید.
- ① واشر آب بندی دور درب را مرتباً برای تمیز بودن و عاری بودن از بقایای غذا چک کنید.
- ⚠ برای برداشتن سینی های درب، تمام محتویات را بردارید و سپس به آرامی سینی درب را از پایه به سمت بالا ببرید.

7 راه حل های توصیه شده برای رفع مشکلات

لطفا این لیست را قبل از فراخواندن سرویسکار بررسی کنید. ممکن است در زمان و هزینه صرفه جویی کند. این لیست شامل شکایات متداول است که ناشی از عملکرد یا استفاده ناقص از دستگاه می باشد. برخی از ویژگیهای شرح داده شده ممکن است در دستگاه شما وجود نداشته باشد.

یخچال کار نمی کند.

- آیا دوشاخه برق یخچال بطور صحیح وصل شده است؟ دوشاخه را در پریز بزنید.
- آیا فیوز پریزی که یخچال به آن وصل شده یا فیوز اصلی نسوخته است؟ فیوز را بازبینی کنید.

جمع شدن قطرات آب در دیوار کناری بخش یخچال (مالتی زون، کول کنترل و فلکسی زون).

- شرایط بسیار سرد درجه حرارت محیط. باز و بسته کردن متناوب درب یخچال. شرایط بسیار مرطوب محیط.
- نگهداری مواد غذایی محتوی مایع در ظروف درباز. نیمه باز گذاشتن درب. ترموستات را به یک درجه سردتر تغییر دهید.
- زمان باز ماندن درب را کاهش دهید یا کمتر از آن استفاده پی در پی کنید.
- مواد غذایی را با روکش در ظروف درباز با جنس مناسب بپوشانید.
- تراکم را با استفاده از یک پارچه خشک پاک کنید و چک نمایید که آیا ایستادگی میکنند.

کمپرسور کار نمی کند

- حفاظت حرارتی کمپرسور در خلال قطع شدن ناگهانی برق یا کشیدن و زدن دوشاخه به برق فروکش خواهد کرد چراکه فشار یخچال در سیستم سرمایشی یخچال هنوز بالانس نشده است. یخچال شما تقریباً 6 دقیقه بعد شروع بکار خواهد کرد. لطفاً اگر یخچال در انتهای این زمان کار نکرد سرویسکار را فراخوانید.
- یخچال در جریان دیفراسست است. این برای یک یخچال با دیفراسست کردن اتوماتیک کامل نرمال است. جریان دیفراسست بصورت دوره ای رخ میدهد.
- دوشاخه برق یخچال در پریز نمی باشد. مطمئن شوید که دوشاخه درست در پریز وارد شده باشد.
- آیا دمای تنظیمات بطور صحیح انجام گرفته است؟
- برق دستگاه باید قطع باشد.

یخچال متنابو یا بر ای یک مدت طولانی کار میکند.

- یخچال جدید شما ممکن است عریض تر از یخچال قبلی باشد. این کاملاً نرمال است. یخچال های بزرگ برای یک مدت طولانی تر کار میکنند.
- دمای محیط اتاق شما ممکن است بالا باشد. این کاملاً نرمال است.
- دوشاخه برق یخچال ممکن است اخیراً وصل شده یا یخچال بتازگی بارگیری شده باشد. پایین آوردن دمای کامل یخچال ممکن است بمدت چندین ساعت بیشتر طول بکشد.
- ممکن است حجم زیادی از مواد غذایی داغ در یخچال گذاشته شده باشد. مواد غذایی داغ موجب کارکرد یخچال تا رسیدن به دمای ایمن یخچال می شود.
- درب ها ممکن است متنابو با باز شده باشند و یا برای مدت طولانی نیمه باز مانده باشند. هوای گرم که وارد یخچال شده است باعث میشود که یخچال برای مدت طولانی تری کار کند. تناوب باز کردن درب را کمتر کنید.
- درب محفظه یخچال یا فریزر ممکن است نیمه باز باقیمانده باشد. بررسی کنید که درها درست بسته شده باشند.
- یخچال در یک دمای بسیار پایین تنظیم شده است. دمای یخچال را در یک درجه گرمتر تنظیم کنید و منتظر بمانید تا به آن درجه برسد.
- آب بندی درب یخچال یا فریزر ممکن است کثیف ، فرسوده و یا شکسته شده و یا در جایش نشسته باشد. لاستیک آب بندی را تمیز یا تعویض نمایید. لاستیک صدمه دیده یا شکسته موجب میشود تا یخچال برای مدت طولانی تری کار کند تا بتواند درجه دما را حفظ کند.

دمای فریزر بهنگامیکه دمای یخچال کافی است بسیار پایین است.

- دمای فریزر در یک دمای بسیار پایین تنظیم شده است. دمای فریزر را در یک درجه گرمتر تنظیم کنید و چک نمایید.

دمای یخچال بهنگامیکه دمای فریزر کافی است بسیار پایین است.

- دمای یخچال ممکن است روی دمای بسیار پایین تنظیم شده باشد. دمای یخچال را در یک درجه گرمتر تنظیم کنید و چک نمایید.

مواد غذایی نگه داشته شده در محفظه کشوهای یخچال فریزر می شوند.

- دمای یخچال ممکن است روی دمای بسیار پایین تنظیم شده باشد. دمای یخچال را در یک درجه گرمتر تنظیم کنید و چک نمایید.

دما در یخچال یا فریزر بسیار بالا است.

- دمای یخچال ممکن است روی دمای بسیار بالا تنظیم شده باشد. تنظیم یخچال روی دمای فریزر اثر دارد. دمای یخچال یا فریزر را تا رسیدن به سطح کافی دمای یخچال یا فریزر تغییر دهید.
- درب ها ممکن است متنابو با باز شده باشند و یا برای مدت طولانی نیمه باز مانده باشند؛ آنان را کمتر باز و بسته کنید.
- در ممکن است نیمه باز باشد؛ در را کاملاً ببندید.
- ممکن است حجم زیادی از مواد غذایی داغ در یخچال گذاشته شده باشد. منتظر بمانید تا یخچال یا فریزر به دمای دلخواه برسد.
- دوشاخه یخچال ممکن است اخیراً به برق وصل شده باشد. خنک کردن یخچال بطور کامل زمان می برد.

مقدار نویز و وقتیکه که یخچال کار میکند افزایش می یابد.

- عملکرد یخچال ممکن است بر اساس تغییرات دمای محیط تغییر کند. این نرمال است و نقص محسوب نمیگردد.

لرزش یا نویز.

<ul style="list-style-type: none"> • کف هموار نیست یا ضعیف است. یخچال و قتیکه به آهستگی حرکت میکند ، تکان می خورد. مطمئن شوید که کف هموار و قادر به تحمل وزن یخچال باشد. • نويز ممکن است بخاطر موادی که در یخچال قرار داده شده است بوجود آید. اشیایی که در بالای یخچال قرار داده شده اند باید برداشته شوند.
صدای نويز مانند ریختن مایع با اسپری از یخچال به گوش می رسد.
<ul style="list-style-type: none"> • جریان مایع و گاز بر اساس اصول کارکرد یخچال رخ می دهد. این نرمال است و نقص محسوب نمیگردد.
صدای نويز مانند صدای وزش باد است.
<ul style="list-style-type: none"> • از پنکه برای خنک کردن یخچال استفاده می شود. این نرمال است و نقص محسوب نمیگردد.
تراکم در داخل دیواره های یخچال.
<ul style="list-style-type: none"> • هوای مرطوب و داغ یخ زدن و تراکم را افزایش میدهد. این نرمال است و نقص محسوب نمیگردد. • درهای دستگاه ممکن است نیمه باز باشند؛ مطمئن شوید که درها کاملاً بسته شده اند. • درب ها ممکن است متناوباً باز شده باشند و یا برای مدت طولانی نیمه باز مانده باشند؛ آنان را کمتر باز و بسته کنید.
رطوبت در خارج یخچال یا بین درب ها رخ میدهد.
<ul style="list-style-type: none"> • ممکن است هوا رطوبت داشته باشد؛ این مسئله در آب و هوای مرطوب کاملاً عادی است. وقتی که رطوبت کم است ، تراکم محو میشود.
بوی بد در داخل یخچال
<ul style="list-style-type: none"> • داخل یخچال باید تمیز گردد. داخل یخچال را با یک اسفنج و آب ولرم یا آب کربنات تمیز کنید. • برخی از ظروف یا مواد بسته بندی ممکن است ایجاد بو نمایند. از ظروف مختلف با مارکهای مختلف بسته بندی استفاده کنید.
در بسته نیست.
<ul style="list-style-type: none"> • بسته های مواد غذایی ممکن است از بسته شدن درب جلوگیری کنند. بسته هایی را که مانع بستن درب میشوند جایز کنید. • یخچال کاملاً به طور قائم روی زمین قرار نگرفته است و هنگامی که اندکی حرکت داده شود، تکان می خورد. پیچ های تنظیم را بالانس کنید. • کف هموار و محکم نمی باشد. مطمئن شوید که کف هموار و قادر به تحمل وزن یخچال باشد.
محل نگهداری سبزیجات گیر کرده است.
<ul style="list-style-type: none"> • مواد غذایی ممکن است به سقف کشوها تماس داشته باشد. مواد غذایی را در کشو مجدداً منظم کنید.

Lue tämä käyttöopas ensin!

Hyvä asiakas,

toivomme, että nykyaikaisissa tuotantolaitoksissa valmistamamme ja erittäin huolellisella laadunvalvonnalla tarkastettu tuote toimii käytössäsi mahdollisimman tehokkaasti.

Tämän varmistamiseksi toivomme, että luet huolellisesti koko käyttöoppaan ennen jääkaapin käyttöön ottoa, ja säilytät sitä helposti saatavilla tulevaa käyttöä varten.




Tämä käyttöopas

- Auttaa käyttämään jääkaappia nopeasti ja turvallisesti.
- Lue käyttöopas ennen jääkaapin asennusta ja käyttöä.
- Noudat ohjeita, erityisesti niitä, jotka koskevat turvallisuutta.
- Säilytä käyttöopasta helposti saatavilla olevassa paikassa, sillä voit tarvita sitä myöhemmin.
- Lue myös muut tuotteen mukana tulleet asiakirjat.

Huomaa, että tämä käyttöopas voi soveltua myös muihin malleihin.

Symbolit ja niiden kuvaus

Tässä käyttöoppaassa käytetään seuraavia symboleja:

-  Tärkeitä tietoja tai hyödyllisiä käyttövihjeitä.
-  Varoitus hengelle ja omaisuudelle vaarallisista olosuhteista.
-  Varoitus sähköjännitteestä.



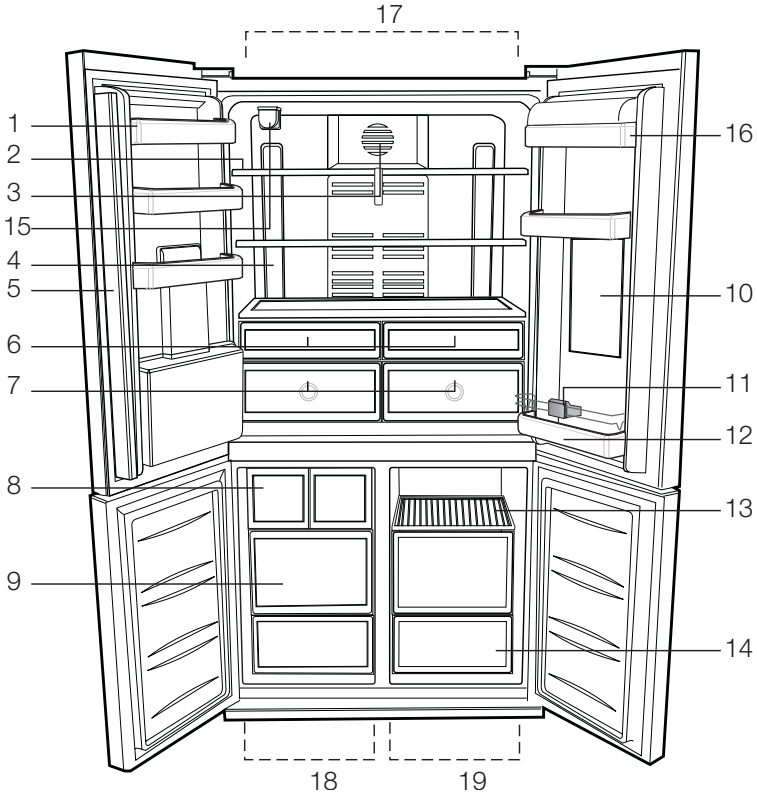
Tässä tuotteessa on sähköisten ja elektronisten laitteiden jätteiden (WEEE) valikoivan lajittelun symbolimerkintä.

Tämä tarkoittaa, että tätä tuotetta pitää käsitellä Euroopan parlamentin ja neuvoston direktiivin 2002/96/EY:n mukaisesti, jotta sitä voidaan kierrättää ja purkaa minimoiden ympäristövaikutukset. Saat lisätietoja paikallisilta tai alueellisilta viranomaisilta.

Elektroniset laitteet, jotka eivät ole mukana valikoivassa lajittelussa ovat potentiaalisesti vaarallisia ympäristölle ja ihmisen terveydelle, koska ne sisältävät vaarallisia aineita.

1 Jääkaappi	3	5 Jääkaapin käyttö	17
2 Tärkeitä turvallisuusvaroituksia	4	Näyttötaulu.....	17
Käyttötarkoitus	4	Tehtävät suodattimen käyttöajan laskemiseksi automaattisesti.....	21
Laitteet, joissa on vesiautomaatti	5	Liukuvat hyllyt	22
Lasten turvallisuus	6	Kanamunalokero	22
HCA-varoitus.....	6	Vihanneslokero	22
Energian säästötoimet	6	Jäähdytyslokero	22
3 Asennus	7	Siirrettävä keskiosa	23
Jääkaapin kuljetuksessa huomioitavat asiat	7	Fleksialuesäilytyslokero	23
Ennen jääkaapin käyttöä.....	7	Sininen valo	23
Sähköliitännät	8	Liukuvat rungon hyllyt takaripustimilla24	
Pakkauksen hävittäminen	8	Maitotuoteosasto.....	24
Vanhan jääkaapin hävittäminen	8	Vesilähteen käyttö.....	24
Sijoittaminen ja asennus	8	Vuotoallas.....	24
Lattiatasapainon säätö.....	9	Minibaari.....	25
Yläoven raon säätäminen.....	9	6 Puhdistus ja huolto	26
Vesisuodattimen asennus	11	Muoviosien suojelu	26
Vesiletkun liittäminen jääkaappiin.	11	7 Suositellut ongelmanratkaisut	27
Vesiletkun ja säiliön liitännät	12		
Vesiletkun liittäminen kylmävesijohtoon.	13		
Ennen veden annostelijan ensimmäistä käyttöä	15		
4 Valmistelu	16		

1 Jääkaappi



- | | | | |
|-----|-----------------------------|-----|-------------------------|
| 1- | Jääkaappilokeron ovihyllyt | 11- | Pullonpidin |
| 2- | Jääkaappilokeron lasihyllyt | 12- | Pullohylly |
| 3- | Hajauttajan kansi | 13- | Ruoansäilytyshyllyt |
| 4- | Jääkaappivalo | 14- | Ruokien säilytysosastot |
| 5- | Siirrettävä keski osa | 15- | Vesisuodatin |
| 6- | Jäähdytyslokero | 16- | Voi- ja juustohyllyt |
| 7- | Vihanneslokero | 17- | Jääkaappilokero |
| 8- | Jääpalakone | 18- | Pakastelokero |
| 9- | Pakasteiden säilytyslokerot | 19- | Fleksi-alue |
| 10- | Minibaari | | |

i Tämän ohjekirjan kuvitus on mallikuviin perustuvaa eikä se ehkä vastaa täysin todellista tuotetta. Jos jokin osa puuttuu ostamastasi tuotteesta, kuvaus koskee muita malleja.

2 Tärkeitä turvallisuusvaroituksia

Tutustu seuraaviin ohjeisiin. Näiden ohjeiden noudattamatta jättäminen saattaa aiheuttaa loukkaantumisen tai aineellisia vahinkoja. Muuten kaikki takuu- ja käyttövarmuusvastuut mitätöityvät. Ostamasi laitteen käyttöikä on 10 vuotta. Tämä on myös aika, jonka kuluessa laitteen toimintaan kuvatulla tavalla tarvittavia varaosia on saatavana.

Käyttötarkoitus

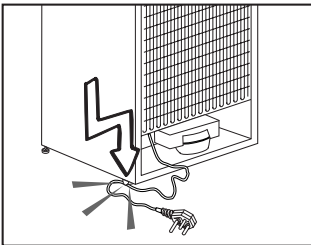
Tämä tuote on suunniteltu

- sisätiloihin ja suljettuihin tiloihin kuten koteihin,
 - suljettuihin työskentely-ympäristöihin, kuten myymälöihin ja toimistoihin,
 - suljettuihin majoitustiloihin kuten maataloille, hotelleihin ja pensioaatteihin.
- Tuotetta ei saa käyttää ulkona.

Yleinen turvallisuus

- Kun haluat hävittää/romuttaa laitteen, suosittelemme ottamaan yhteyttä valtuutettuun huoltoon vaadittavien tietojen ja valtuutettujen tahojen selville saamiseksi.
- Ota yhteys valtuutettuun huoltoon kaikissa jääkaappiin liittyvissä kysymyksissä ja ongelmissa. Älä puutu tai anna kenenkään muun puuttua jääkaapin huoltoon ilmoittamatta valtuutettuun huoltoon.
- Tuotteet joissa on pakastusosasto: Älä laita jäätelöä tai jääkuutioita suuhusi heti otettuasi ne pakastinosastosta! (Se voi aiheuttaa suuhun paleltuman.)
- Tuotteet joissa on pakastusosasto: Älä laita pulloitettuja tai tölkitettyjä nesteitä pakastinosastoon. Ne voivat pakastettaessa särkyä.
- Älä kosketa käsin pakastettua ruokaa, se voi tarttua käteesi.
- Irrota jääkaappi verkkovirrasta ennen puhdistamista tai sulattamista.
- Höyryä ja höyrystyviä puhdistusaineita ei saa koskaan käyttää jääkaapin puhdistuksessa ja sulatuksessa. Höyry voi tässä tapauksessa päästä kosketuksiin sähköosien kanssa ja aiheuttaa oikosulun tai sähköiskun.
- Älä koskaan käytä jääkaapin osia, kuten ovea, tukena tai askelmana.
- Älä käytä sähkölaitteita jääkaapin sisällä.
- Älä vahingoita poraamalla tai leikkaamalla osia, joissa jäähdytysaine kiertää. Jäähdytysainetta voi suihkuta ulos, kun haihduttimen kaasukanava, johdon jatke tai pinnoite puhkaistaan, ja se voi aiheuttaa ihon ärsytystä ja silmävahinkoja.
- Älä peitä tai tuki millään materiaalilla jääkaapin tuuletusaukkoja.
- Vain valtuutetut henkilöt saavat korjata sähkölaitteita. Epäpätevän henkilön tekemät korjaukset voivat aiheuttaa vaaran käyttäjälle.
- Vian ilmetessä tai jääkaappia huollettaessa tai korjattaessa sammuta virta joko kääntämällä sulake pois päältä tai irrottamalla virtajohto.
- Älä vedä johdosta irrottaessasi pistokkeen.
- Säilytä väkevät alkoholijuomat tiukasti suljettuna pystyasennossa.
- Älä säilytä jääkaapissa suihkepulloja, jotka sisältävät syttyviä ja räjähtäviä aineita.
- Älä käytä sulatusprosessin nopeuttamiseen mekaanisia tai muita keinoja, joita valmistaja ei suosittele.
- Tätä laitetta ei ole tarkoitettu sellaisten henkilöiden (lapset mukaan lukien) käytettäväksi, joilla on heikentyneet fyysiset, aistimelliset tai henkiset kyvyt tai joilta puuttuu kokemusta ja tietoa, jollei heidän turvallisuudestaan vastaava henkilö valvo heitä ja opasta heitä laitteen käytössä.
- Älä käytä rikkoutunutta jääkaappia. Jos epäilet vikaa, ota yhteys huoltoedustajaan.

- Jääkaapin sähköturvallisuus taataan vain, jos kodin maadoitusjärjestelmä on standardien mukainen.
- Laitteen altistaminen sateelle, lumelle, auringolle ja tuulelle on vaarallista sähköturvallisuuden kannalta.
- Ota yhteys valtuutettuun huoltoon, jos sähköjohto on vahingoittunut, jotta vältetään vaarat.
- Älä koskaan liitä jääkaappia pistorasiaan asennuksen aikana. Se voi aiheuttaa vaaran, joka voi johtaa kuolemaan tai vakavaan vammaan.
- Tämä jääkaappi on tarkoitettu pelkästään elintarvikkeiden säilytykseen. Sitä ei saa käyttää mihinkään muihin tarkoituksiin.
- Tekniset tiedot sisältävä tyyppikilpi sijaitsee jääkaapin sisällä vasemmalla seinällä.
- Älä liitä jääkaappia sähkönsäästöjärjestelmiin. Ne voivat vahingoittaa jääkaappia.
- Jos jääkaapissa palaa sininen valo, älä katso sitä optisilla laitteilla.
- Odota käsinohjattavalla jääkaapilla vähintään 5 minuuttia ennen jääkaapin käynnistämistä virtakatkon jälkeen.
- Tämä käyttöopas tulee luovuttaa uudelle omistajalle tuotteen mukana, jos tuote vaihtaa omistajaa.
- Vältä vahingoittamasta virtajohtoa, kun siirät jääkaappia. Johdon taivuttaminen saattaa aiheuttaa tulipalon. Älä sijoita painavia esineitä sähköjohdon päälle. Älä kosketa pistoketta märin käsin, kun liität tuotteen.



- Älä kytke jääkaappia pistorasiaan, jos sähköliitäntä on löysä.
- Vettä ei saa turvallisuuden vuoksi koskaan

suihkuttaa suoraan tuotteen sisä- tai ulkoosiin.

- Älä suihkuta lähellä jääkaappia syttyviä aineita, kuten propaanikaasua, sillä se aiheuttaa tulipalo- ja räjähdysvaaran.
- Älä aseta vettä sisältäviä astioita jääkaapin päälle, sillä sellainen voi aiheuttaa sähköiskun tai tulipalon.
- Älä täytä jääkaappia liian suurella elintarvikemäärällä. Jos jääkaappi on ylikuormitettu, se saattaa kaatua ja vahingoittaa sinua, ja rikkoa jääkaapin ovea avattaessa. Älä aseta esineitä jääkaapin päälle, sillä ne saattavat pudota jääkaapin ovea avatessa tai sulkiessa.
- Sellaisia tuotteita, jotka vaativat tarkan lämpötilan säädön (esim. rokotteet, lämpöherkät lääkkeet, tieteellinen materiaali jne.), ei tule säilyttää jääkaapissa.
- Jos jääkaappia ei käytetä pidempään aikaan, se on irrotettava verkkovirrasta. Mahdollinen ongelma sähköjohdossa saattaa aiheuttaa tulipalon.
- Sähköpistokkeen kärki on puhdistettava säännöllisesti. Se voi muuten aiheuttaa tulipalon.
- Sähköpistokkeen kärki on puhdistettava säännöllisesti kuivalla liinalla. Se voi muuten aiheuttaa tulipalon.
- Jääkaappi saattaa siirtyä, jos säädettäviä jalkoja ei ole kiinnitetty oikein lattiaan. Säädettävien jalkojen kiinnittäminen lattiaan oikein voi estää jääkaappia siirtymästä.
- Kun kannat jääkaappia, älä pidä kiinni ovenkavasta. Se saattaa silloin särkyä.
- Kun laite täytyy sijoittaa toisen jääkaapin tai pakastimen viereen, laitteiden välisen etäisyyden tulee olla vähintään 8 cm. Muuten vastakkaiset seinät saattavat härmistyä.

Laitteet, joissa on vesiautomaatti

Vesijohdon paineen tulee olla vähintään 1 bar. Vesijohdon paineen tulee olla enintään 8 bar.

Käytä vain juomavettä.

Lasten turvallisuus

- Jos ovelta on lukko, avain tulee pitää lasten ulottumattomissa.
- Lapsia tulee valvoa, jotta he eivät pääse leikkimään laitteella.

HCA-varoitus

Jos laite on varustettu

jäähdytysjärjestelmällä, joka sisältää R600a-kylmäainetta:

Tämä kaasu on syttyvää. Varo siksi vahingoittamasta jäähdytysjärjestelmää ja putkistoa käytön ja kuljetuksen aikana. Pidä laite erossa mahdollisista tulenlähteistä, jotka saattavat sytyttää sen tuleen. Tuuleta huone, johon laite on sijoitettu.

Ohita tämä varoitus, jos laitteen kylmäjärjestelmä sisältää R134a-kylmäainetta.

Laitteessa käytetyn kaasun tyyppi on ilmoitettu jääkaapin sisäpuolella vasemmalla seinällä olevassa tyyppikilvessä.

Älä hävitä laitetta polttamalla.

Energian säästötoimet

- Älä jätä jääkaapin ovea auki pitkäksi aikaa.
- Älä laita lämpimiä ruokia tai juomia jääkaappiin.
- Älä ylikuormita jääkaappia niin, että ilman kierto kaapin sisällä estyy.
- Älä asenna jääkaappia suoraan auringonpaisteeseen tai lähelle lämmönlähteitä, kuten uunit, astianpesukoneet tai lämpöpatterit.
- Pidä huoli, että säilytät elintarvikkeita suljetuissa astioissa.
- Tuotteet joissa on pakastusosasto: voit säilyttää pakastimessa mahdollisimman paljon elintarvikkeita, kun irrotat pakastimen hyllyn tai lokeron. Jääkaapissa ilmoitetut energiankulutusarvot on määritetty maksimitäytöllä irrottamalla jääkaapin hylly tai lokero. Vaaraa ei ole käytettäessä hyllyä tai vetolaatikkoo pakastettavien elintarvikkeiden mukaan.
- Pakastetun ruoan sulattaminen jääkaappiosastossa säästää sekä energiaa että säilyttää ruoan laadun.

3 Asennus

- i** Muista, että valmistaja ei ole vastuussa, jos käyttöoppaassa annettuja tietoja ei noudateta.

Jääkaapin kuljetuksessa huomioitavat asiat

1. Jääkaappi on aina tyhjennettävä ja puhdistettava ennen kuljetusta.
2. Jääkaapin hyllyt, lisävarusteet, vihanneslokerot jne. on kiinnitettävä paikoilleen lujasti teipillä niiden suojaamiseksi tärinältä ennen uudelleenpakkausta.
3. Pakkaus on sidottava vahvoilla teipeillä ja naruilla ja pakkaukseen painettuja kuljetusohjeita on noudatettava.

i Muista aina...

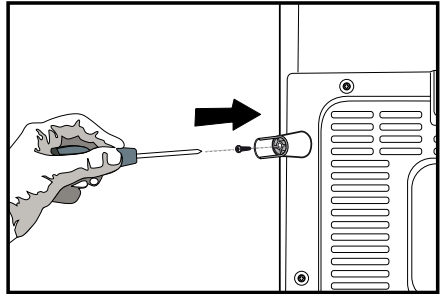
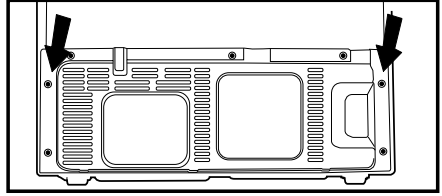
Kaikki kierrätetyt materiaalit ovat korvaamaton lähde luonnolle ja kansallisille resurssille.

Jos haluat osallistua pakkausmateriaalien kierrätykseen, saat lisätietoja ympäristöosastoilta tai paikallisilta viranomaisilta.

Ennen jääkaapin käyttöä

Tarkista seuraava ennen kuin alat käyttää jääkaappia:

1. Ovatko jääkaapin sisäpinnat kuivia ja kiertääkö ilma vapaasti jääkaapin takana?
2. Aseta kaksi muovikiilaa takaosan tuuletusaukon kanteen, kuten seuraavassa kuvassa on näytetty. Tee se irrottamalla ruuvit tuotteesta käyttämällä saman pussin ruuveja. Muovikiilat varmistavat vaadittavan etäisyyden jääkaapin ja seinän välillä ilman kierron takaamiseksi.



3. Puhdista jääkaapin sisäpinnat, kuten on suositeltu osassa "Ylläpito ja puhdistus".
4. Liitä jääkaapin virtajohto seinäpistorasiaan. Kun ovi avataan, kyseisen osaston sisävalo syttyy.
5. Kuulet ääntä, kun kompressori käynnistyy. Jäähdytysjärjestelmään suljetut nesteet ja kaasut voivat myös aiheuttaa jonkin verran ääntä silloinkin, kun kompressori ei ole käynnissä. Se on aivan normaalia.
6. Jääkaapin etureunat voivat tuntua lämpimiltä. Tämä on normaalia. Näiden alueiden on suunniteltu olevan lämpimiä kondensaation estämiseksi.

Sähköliitännät

Liitä jääkaappi maadoitettuun pistorasiaan, joka on suojattu riittävän tehokkaalla sulakkeella.

Tärkeää:

- ⚠ Liitännän on oltava kansallisten säädösten mukainen.
- ⚠ Virtakaapelin pistokkeen on oltava helposti saatavilla asennuksen jälkeen.
- ⚠ Jännite ja sallittu sulakesuojaus on määritetty osassa ”Tekniset tiedot”.
- ⚠ Määritetyn jännitteen on oltava sama kuin sähköverkolla.
- ⚠ Liitäntään ei saa käyttää jatkokaapeleita tai haaroitusrasioita.
- ⚠ Vahingoittunut virtakaapeli on jätettävä pätevän sähkötekniikon vaihdettavaksi.
- ⚠ Tuotetta ei saa käyttää ennen kuin se on korjattu! Se aiheuttaa sähköiskun vaaran!

Pakkauksen hävittäminen

- ⚠ Pakkausmateriaali voi olla lapsille vaarallista. Pidä pakkausmateriaali lasten ulottumattomissa tai hävitä se lajittelemalla jätteidenhävitysohjeiden mukaisesti. Älä hävitä pakkausmateriaalia kotitalousjätteen mukana. Jääkaapin pakkaus on valmistettu kierrätettävistä materiaaleista.

Vanhan jääkaapin hävittäminen

Hävitä vanha jääkaappi aiheuttamatta vahinkoa ympäristölle.

- ⚠ Voit ottaa yhteyden valtuutettuun jälleenmyyjään tai kunnalliseen jätehuoltokeskukseen saadaksesi ohjeet jääkaapin hävittämisestä.
- ⚠ Ennen kuin hävität jääkaapin, leikkaa virtapistoke irti, ja jos ovesta on lukitus, tee siitä toimintakyvytön, jottei siitä koidu vaaraa lapsille.

Sijoittaminen ja asennus

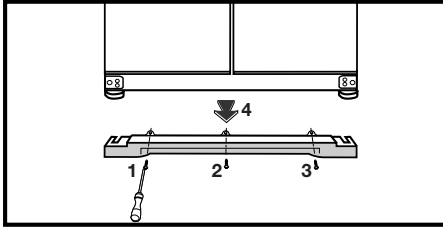
⚠ Varoitus: Älä koskaan liitä jääkaappia pistorasiaan asennuksen aikana. Se voi aiheuttaa vaaran, joka voi johtaa kuolemaan tai vakavaan vammaan.

⚠ Jos oviaukko jääkaapin asennushuoneeseen ei ole tarpeeksi leveä, soita valtuutettuun huoltoon ja pyydä heitä irrottamaan jääkaapin ovet, jolloin se saattaa mahtua ovesta sivuttain.

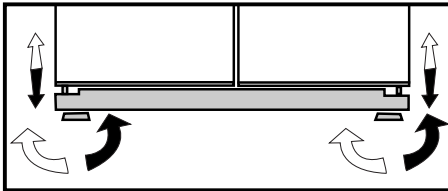
1. Asenna jääkaappi paikkaan, jossa sitä on helppo käyttää.
2. Pidä jääkaappi etäällä lämmönlähteistä, kosteista paikoista ja suoralta auringonpaisteelta.
3. Jääkaapin ympärillä on oltavaa tilaa kunnolliselle tuuletukselle, jotta se toimisi tehokkaasti. Jos jääkaappi asetetaan seinän syvennykseen, väliä kattoon ja seiniin on jätettävä vähintään 5 cm. Jos lattia on päällystetty matolla, jääkaapin on oltava koholla lattiasta vähintään 2,5 cm.
4. Aseta jääkaappi tasaisella lattiapinnalle tärinän ehkäisemiseksi.
5. Älä säilytä jääkaappia tilassa, jonka lämpötila on alle 10 °C.

Lattiatasapainon säätö

⚠ Jos jääkaappi on epätasapainossa;
⚠ Irrota ensin tuotteen virtajohto. Tuote on irrotettava verkkovirrasta tasapainon säätämisen ajaksi. Sähköiskun vaara.



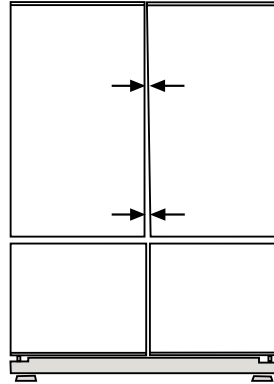
1- Tuuletuskansi irrotetaan avaamalla sen ruuvit ennen toimenpidettä, kuten alla olevassa kuvassa. Voit tasapainottaa jääkaapin kiertämällä etujalkoja, kuten kuvassa. Kulma, jossa jalka sijaitsee, laskeutuu, kun jalkaa kierretään mustan nuolen suuntaisesti ja nousee, kun sitä kierretään vastakkaiseen suuntaan. Toimenpidettä helpottaa, jos joku toinen auttaa nostamalla hieman jääkaappia.



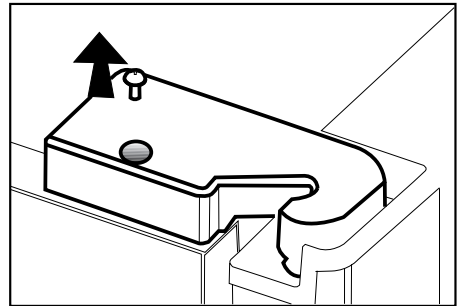
2. Kun tasapaino-ongelma on korjattu, asenna tuuletuskansi takaisin paikoilleen ja kiinnitä ruuvit.

3. Irrota alatuuletuskantta kiinnittävät ruuvit ristipääruuvitaltalla.

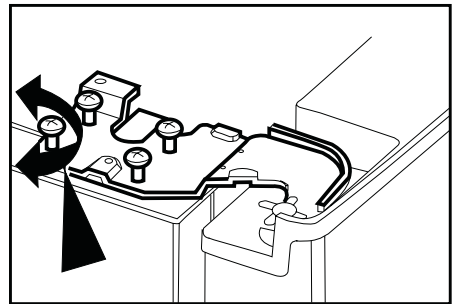
Yläoven raon säätäminen

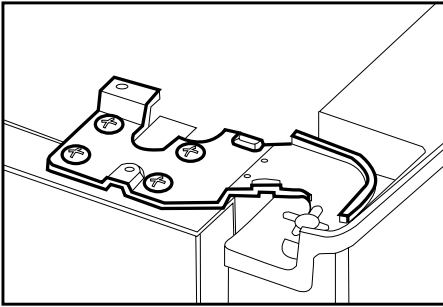


ⓘ Voit säätää rakoa jääkaapin osastojen ovien välillä, kuten kuvissa on näytetty. Oven hyllyjen tulee olla tyhjiä oven korkeutta säädettäessä.

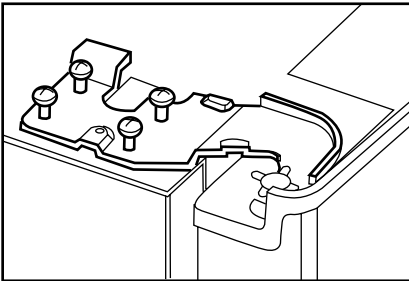


ⓘ Irrota säädettävän oven yläsaranan suojuksen ruuvi ruuvitaltalla.

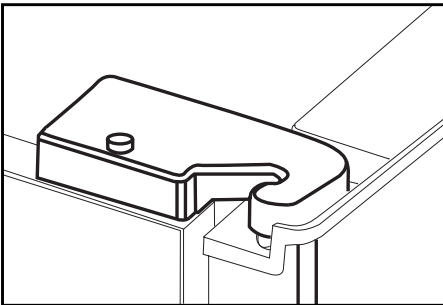




i Säädä ovi haluttuun tasoon löysäämällä ruuveja.



i Kiinnitä säätämäsi ovi kiristämällä ruuvit muuttamatta oven sijaintia.



i Aseta saranan suojus takaisin ja kiinnitä ruuvilla.

Vesisuodattimen asennus (joissakin malleissa)

Kaksi erilaista vesilähdettä voidaan liittää jääkaapin vesilähteeksi: kylmävesijohto tai vesisäiliö.

Asennusvaatimukset

Säiliötä käytettäessä tulee käyttää pumppua.

Tarkista, että alla mainitut osat ovat mukana laitteesi toimituksessa.

1. Liitin, jolla vesiletku kiinnitetään laitteen taakse. (Jos se ei ole sopiva, hanki oikean kokoinen lähimmästä valtuutetusta huollosta.)

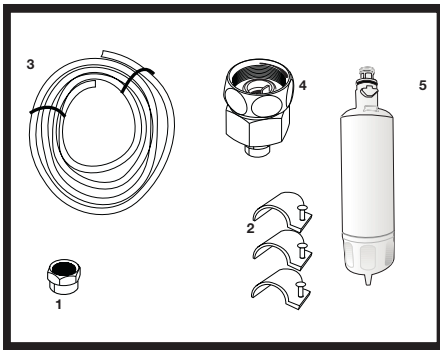
2. 2 kappaletta johdon kiinnittimiä (jos vesiletku on kiinnitettävä)

Huomio: Koska seuraavat osat eivät ole tarpeen säiliötä käytettäessä, niitä ei ehkä ole ostamassasi tuotteessa.

3. 5 metrin mittainen vesiletku (halkaisijaltaan 1/4")

4. Kylmävesijohdon venttiili, jossa on verkkosuodatin (Hanasovitin)

5. Vesisuodatin tai ulkoisesti liitettävä suodatin, joka kiinnitetään jääkaappiosaston sisällä olevaan kiinnikkeeseen.



Ensin tulee määrittää paikka, johon ulkoinen suodatin aiotaan kiinnittää. (Koskee suodatinta, jota käytetään jääkaapin ulkopuolella.) Määritä sitten suodattimen ja jääkaapin välinen etäisyys ja vaadittu letkun pituus suodattimesta jääkaapin vedentuloon.

Vesisuodatinta tulee pitää pystyasennossa, kuten kuvassa. Suodatin on tärkeää kiinnittää oikein veden tulo- ja lähtöpisteissä.

Kun olet kiinnittänyt suodattimen, älä käytä 3–4 ensimmäistä lasia vettä.

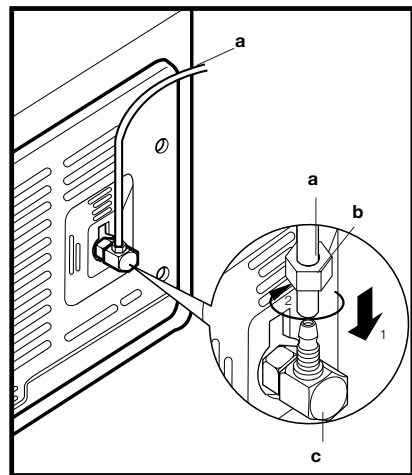
Vesiletkun liittäminen jääkaappiin.

1. Kun liitin on liitetty vesiletkuun, aseta vesiletku jääkaapin tuloventtiiliin painamalla sitä lujasti alaspäin.

2. Kiinnitä liitin puristamalla kädellä jääkaapin tuloventtiiliä, kuten viereisessä kuvassa.

(a- Vesiletku, b-Liitin, c-Venttiili)

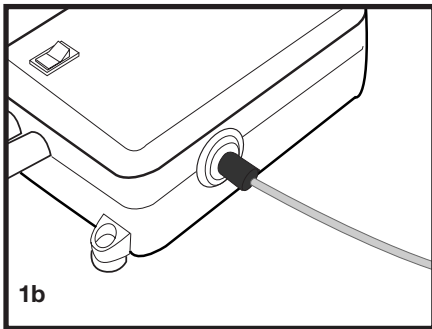
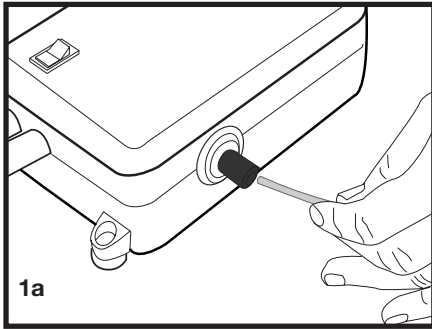
i Huomautus 1: Liitintä ei tarvitse kiristää työkalulla vedenpitävän liitoksen aikaansaamiseksi. Jos liitos vuotaa, liitintä voi kiristää jakoavaimella tai pihdeillä.



Vesiletkun ja säiliön liitäntä (joissakin malleissa)

Veden liittämiseksi jääkaappiin säiliöstä tarvitaan pumppu. Noudata alla olevia ohjeita, kun olet liittänyt yhden pumpusta tulevan vesijohdon jääkaappiin, kuten edellisellä sivulla on kuvattu.

1. Viimeistele liitäntä työntämällä vesiputken toinen pää pumpun vesijohdon tuloon, kuten kuvassa.



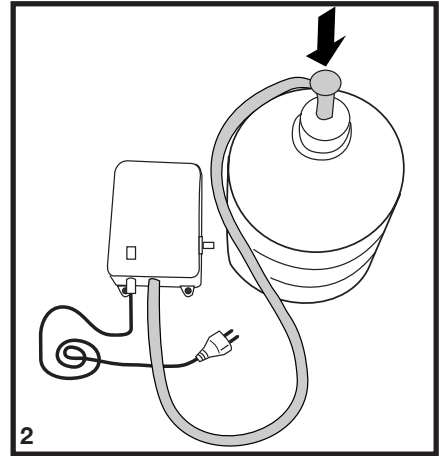
2. Aseta ja kiinnitä pumpun letku säiliöön, kuten kuvassa.
3. Kun liitäntä on valmis, kytke pumppu pistorasiaan ja käynnistä se.

Varmistaaksesi pumpun tehokkaan toiminnan odota 2–3 minuuttia pumpun käynnistymisen jälkeen.

i Katso lisätietoja vesiliitännän tekemisestä pumpun käyttöoppaasta.

i Vesisuodatin ei ole tarpeen säiliötä käytettäessä.

i Säiliötä käytettäessä on käytettävä pumppua.



Vesiletkun liittäminen kylmävesijohtoon.

(joissakin malleissa)

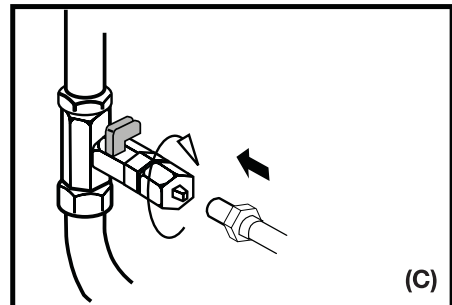
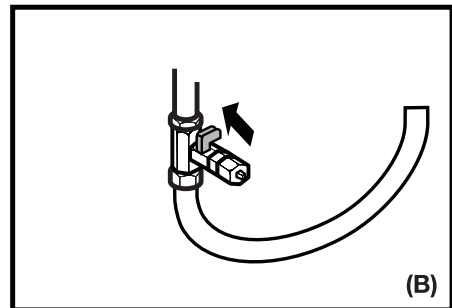
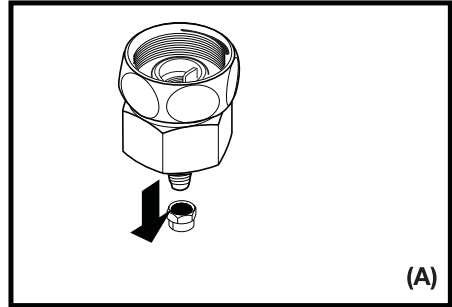
Jos haluat käyttää jääkaappia kylmävesijohtoliitännällä, sinun on liitettävä asennuspaikan kylmävesijohtoon standardi 1/2 tuuman venttiilisovitin. Jos tätä venttiiliä ei ole tai jos et ole siitä varma, ota yhteys pätevään putkimieheen.

1. Irrota liitin hanasovittimesta. (Kuva A)
2. Asenna hanasovitin 1/2 tuuman venttiilisovittimeen, kuten kuvassa. (Kuva B)
3. Kun olet liittänyt vesiputken liittimeen, asenna se hanasovittimeen ja liitä hanaan, kuten kuvassa. (Kuva C)
4. Kiristä liitin käsin. Jos liitos vuotaa, liittintä voi kiristää jakoavaimella tai pihdeillä.

⚠ Varoitus: Kiinnitä vesiputki sopivista kohdista toimitukseen kuuluvilla letkun kiinnikkeillä vahinkojen, siirtymisen ja vahingossa irtoamisen välttämiseksi.

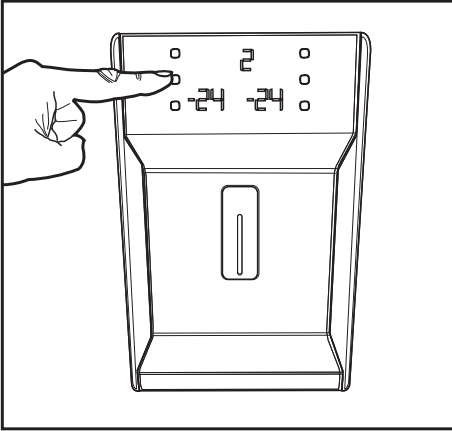
⚠ Varoitus: Kun vesiventtiili on käännetty päälle, varmista, ettei vuotoja esiinny vesiputken kummassakaan liitoskohdassa. Jos ilmenee vuotoa, sulje venttiili välittömästi ja kiristä liitokset uudelleen jakoavaimella tai pihdeillä.

⚠ Varoitus: Varmista, että kylmävesijohdon 1/2":n vakioventtiilisovitin on käytettävissä ja käännetty kokonaan pois päältä.

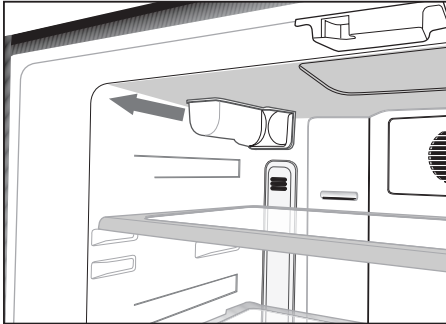


Noudata vedensuodattimen kiinnityksessä alla olevia kuvallisia ohjeita:

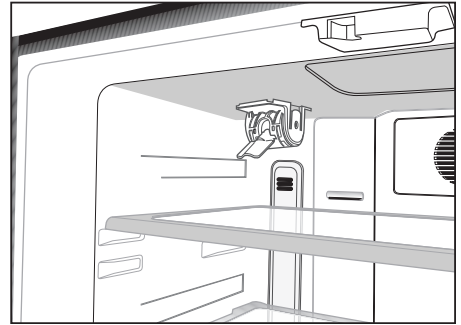
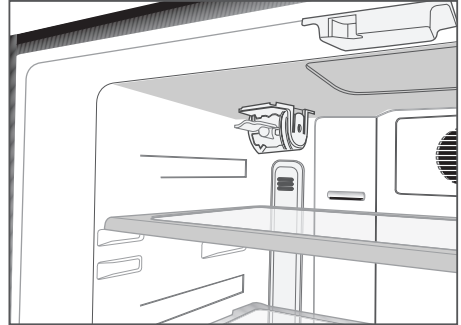
1. Paina näytön jään peruutus -painiketta.



2. Irrota suodattimen kansi jääkaappilokerosta vetämällä sitä eteenpäin.



3. Poista vesisuodattimen varoventtiilin kansi kiertämällä sitä alaspäin.



⚠ Varoitus: Varmista, että Jää pois -tila on aktiivinen, ennen kuin irrotat varoventtiilin kannen.

Huomio: On normaalia, että muutamia tippoja vettä tippuu, kun kansi on otettu pois.

4. Irrota kansi vesisuodattimen päältä ja aseta se kuten kuvassa ja käännä ylöspäin lukitaksesi sen.

5. Paina näytön jään peruutus -painiketta uudelleen poistuaksesi tästä tilasta.

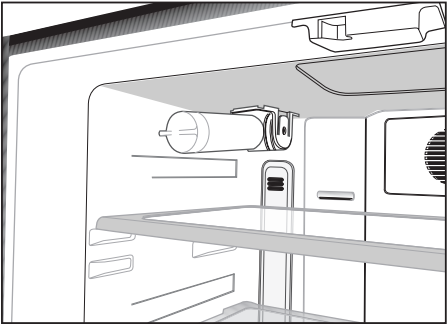
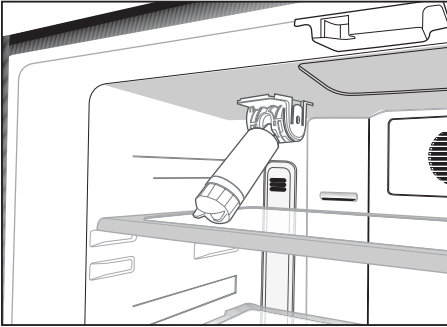
Vedensuodatin pitää vaihtaa kerran puolessa vuodessa.

Jos haluat, että suodattimen vaihto aika lasketaan automaattisesti, ja haluat vastaanottaa varoituksen käyttöajan lopussa, katso lisätietoja osasta "Suodattimen käyttöajan automaattinen laskeminen".

Vedensuodatin on irrotettava kuten kuvassa, kun se vaihdetaan tai kun sitä ei enää käytetä, ja varoventtiilin kansi on kiinnitettävä. On varmistettava, että Jää pois -tila on aktiivinen ennen sen poistamista.

⚠ Varoitus: Vesisuodatinta käytetään roskien poistamiseen vedestä. Se ei puhdistaa vettä mikro-organismeista.

⚠ Varoitus: Jää pois -painiketta on painettava aina vesisuodatinta vaihdettaessa tai asennettaessa varoventtiilin kanta.



Ennen veden annostelijan ensimmäistä käyttöä

i Vesijohdon paine ei saa olla alle 1 barin.

i Vesijohdon paine ei saa olla yli 8 barin.

i Pumpppua on käytettävä, jos vesijohtoveden paine laskee alle 1 barin, tai jos käytetään säiliötä.

i Jääkaapin vesijärjestelmän on oltava liitetty kylmävesijohtoon. Sitä ei saa liittää kuumavesijohtoon.

i Vettä ei ole saatavilla jääkaapin ensimmäisessä käytössä. Tämä johtuu järjestelmässä olevasta ilmasta. Poistaaksesi ilman järjestelmästä, paina jääpala-automaatin salpaa yhden minuutin jaksoissa, kunnes vesi poistuu automaattista. Veden virtaus voi olla aluksi epätasaista. Epätasainen veden virtaus normalisoituu, kun ilma on poistettu järjestelmästä.

i Jääkaapin ensimmäisestä käynnistyksestä kuluu noin 12 tuntia ennen kuin kylmää vettä on saatavilla.

i Vesijohdon paineen on oltava 1–8 baria, jotta Jää-/vesiautomaatti toimisi tasaisesti. Voit tarkistaa tämän katsomalla täyttykö juomalasi (100 ml) kymmenessä sekunnissa.

i Kymmentä ensimmäistä lasillista vettä ei saa käyttää.

i Noin 30:ntä ensimmäistä jääpala-automaatista saatavaa jääpalaa ei saa käyttää.

i Kun säiliö ei ole käytössä, käytä aina vesisuodatinta.

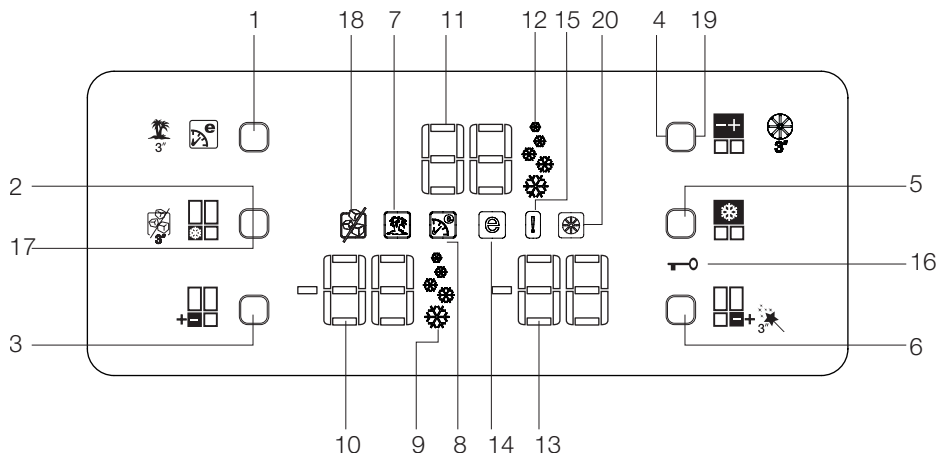
4 Valmistelu

- i** Jääkaappi on asennettava vähintään 30 cm:n etäisyydelle lämmönlähteistä, kuten keittotaso, liesi, keskuslämmitin ja uuni sekä vähintään 5 cm:n etäisyydelle sähköliedestä, eikä sitä saa sijoittaa suoraan auringonpaisteeseen.
- i** Jääkaapin sijoitushuoneen lämpötilan on oltava vähintään 10 °C. Jääkaapin käyttöä kylmemmissä olosuhteissa ei suositella, sillä sen tehokkuus kärsii.
- i** Varmista, että jääkaapin sisäpinta on puhdistettu huolellisesti.
- i** Jos kaksi jääkaappia asennetaan rinnakkain, niiden väliin on jätettävä tilaa vähintään 2 cm.
- i** Kun käytät jääkaappia ensimmäistä kertaa, huomioi seuraavat ohjeet ensimmäisten kuuden tunnin aikana.
 - Ovea ei saa avata jatkuvasti.
 - Jääkaappia on käytettävä tyhjänä ilman elintarvikkeita.
 - Älä irrota jääkaappia verkkovirrasta. Jos ilmenee itsestäsi riippumaton virtakatkos, katso varoitukset osassa "Suositellut ongelmanratkaisut".
- i** Alkuperäiset pakkaus- ja vaahтомуovimateriaalit kannattaa säilyttää tulevaa kuljetusta tai siirtoa varten.

5 Jääkaapin käyttö

Näyttötaulu

Tällä kosketusohjatulla merkkivalopaneelilla voit asettaa lämpötilan avaamatta jääkaapin ovea. Aseta vain lämpötila koskettamalla vastaavaa painiketta sormella.



- | | |
|---|---|
| 1. Ekoekstra/Lomapainike | 11. Jääkaappiosaston lämpötilan ilmainen |
| 2. Pikapakastuspainike | 12. Pikajähdytystoiminnon ilmainen |
| 3. Pakastinosaston lämpötilan asetuspainike | 13. Flexialuesäilytysosasto – lämpötilan ilmainen |
| 4. Jääkaappiosaston lämpötilan asetuspainike | 14. Virransäästötilan ilmainen |
| 5. Pikajähdytyspainike | 15. Vikatilan ilmainen |
| 6. Flexialueosasto – lämpötilan asetuspainike | 16. Lukituksen ilmainen |
| 7. Lomatoiminnon ilmainen | 17. Jää peruuta -painike |
| 8. Ekoekstra-ilmainen | 18. Jää pois -ilmainen |
| 9. Pikapakastustoiminnon ilmainen | 19. Peruuta suodattimen vaihdon varoitus -painike |
| 10. Pakastinosaston lämpötilan ilmainen | 20. Suodattimen vaihdon varoitus -ilmainen |

1. Ekoekstra/Lomapainike

Näpäytä painiketta aktivoiaksesi Eko-ekstratoiminnon. Pidä painiketta painettuna 3 sekuntia aktivoiaksesi lomatoiminnon. Aseta toiminto pois päältä painamalla painiketta uudelleen.

2. Pikapakastuspainike

Näpäytä painiketta aktivoiaksesi pikapakastustoiminnon. Aseta toiminto pois päältä painamalla painiketta uudelleen.

3. Pakastinosaston lämpötilan asetuspainike

Paina tätä painiketta asettaaksesi pakastimen lämpötilaksi joko -18, -20, -22, -24, -18 astetta. Aseta pakasteosaston lämpötila halutuksi painamalla tätä painiketta.

4. Jääkaappiosaston lämpötilan asetuspainike

Paina tätä painiketta asettaaksesi jääkaapin lämpötilaksi joko 8, 6, 4, 2, 8 ... astetta. Aseta jääkaappiosaston lämpötila halutuksi painamalla tätä painiketta.

5. Pikajäähdytyspainike

Näpäytä painiketta aktivoiaksesi pikajäähdytystoiminnon. Aseta toiminto pois päältä painamalla painiketta uudelleen.

6. Fleksialueosasto – lämpötilan asetuspainike

Voit asettaa fleksialuesäilytysosaston joko pakastimeksi tai jäähdyttimeksi. Pidä tätä painiketta painettuna 3 sekuntia asettaaksesi fleksialuesäilytysosaston joko pakastimeksi tai jäähdyttimeksi. Tämä osasto on asetettu tehtaalla pakastinosastoksi.

Jos fleksialuelokero on asetettu pakastimeksi, fleksialuelokeron lämpötila muuttuu järjestyksessä -18, -20, -22, -24, -18... joka kerta, kun painat tätä painiketta. Jos fleksialuelokero on asetettu pakastimeksi, fleksialuelokeron lämpötila muuttuu järjestyksessä 10, 8, 6, 4, 2... joka kerta, kun painat tätä painiketta.

7. Lomatoiminnon ilmainen

Osoittaa, että lomatoiminto on aktiivinen. Jos tämä toiminto on aktiivinen, jääkaappiosaston ilmaisimessa näkyy "- ", eikä jääkaappiosaston jäähdytystä suoriteta. Muut osastot jäähdytetään niille asetetun lämpötilan mukaisesti.

Aseta toiminto pois päältä painamalla vastaavaa painiketta uudelleen.

8. Ekoekstra-ilmainen

Osoittaa, että eko-ekstratoiminto on aktiivinen. Jos toiminto on aktiivinen, jääkaappi havaitsee automaattisesti vähiten käytetyt jaksot ja energiatehokas jäähdytys suoritetaan niinä aikoina. Virransäästötilan ilmainen on aktiivinen, kun energiatehokas jäähdytys suoritetaan.

Aseta toiminto pois päältä painamalla vastaavaa painiketta uudelleen.

9. Pikapakastustoiminnon ilmainen

Osoittaa, että pikapakastustoiminto on aktiivinen. Käytä toimintoa, kun asetat tuoreruokaa pakastinosastoon tai kun haluat jäitä. Toiminnon ollessa aktiivinen jääkaappi on käynnissä määrätyn ajan pysähtymättä.

Aseta toiminto pois päältä painamalla vastaavaa painiketta uudelleen.

10. Pakastinosaston lämpötilan ilmainen

Osoittaa pakastinosastolle asetetun lämpötilan.

11. Jääkaappiosaston lämpötilan ilmainen

Osoittaa jääkaappiosastolle asetetun lämpötilan.

12. Pikajäähdytystoiminnon ilmainen

Osoittaa, että pikajäähdytystoiminto on aktiivinen. Käytä toimintoa, kun asetat tuoreruokaa jääkaappiosastoon tai kun haluat jäähdyttää ruoan nopeasti. Toiminnon ollessa aktiivinen jääkaappi on käynnissä 2 tuntia pysähtymättä.

Aseta toiminto pois päältä painamalla vastaavaa painiketta uudelleen.

13. Fleksialuesäilytysosasto – lämpötilan ilmainen

Osoittaa fleksialueosastolle asetetun lämpötilan.

14. Virransäästötilan ilmainen

Ilmaisee, että jääkaappi on käynnissä virransäästötilassa. Pakastinosaston lämpötila

Tämä ilmainen on aktiivinen, jos toiminnoksi on asetettu -18 tai jos energiaa säästävää jäähdytys suoritetaan eko-ekstratoiminnon vuoksi.

15. Vikatilan ilmainen

Jos jääkaappi ei jäähdy riittävästi tai jos ilmenee anturivika, tämä ilmainen aktivoituu. Kun ilmainen on aktiivinen, pakastinosaston lämpötilan ilmaisimessa näkyy "E" ja jääkaappiosaston lämpötilan ilmaisimessa näkyy numeroita kuten "1,2,3...". Nämä numerot antavat tietoja viasta huoltohenkilökunnalle.

16. Lukituksen ilmainen

Käytä tätä toimintoa, jos et halua muuttaa jääkaapin lämpötila-asetusta. Aktivoi toiminto painamalla samanaikaisesti Pikajäähdytyspainiketta ja fleksialueosaston lämpötilan asetuspainiketta pitkään (3 s).

Aseta toiminto pois päältä painamalla vastaavia painikkeita uudelleen.

17. Jää peruuta -painike

Lopeta jäänmuodostus painamalla jään peruutuspainiketta 3 sekunnin ajan. Kun jään peruutus on valittu, vettä ei tule jäälokeroon. Tästä huolimatta hieman jäätä voi jäädä jäälokeroon, josta sitä voi ottaa. Käynnistä jäänmuodostus uudelleen painamalla jään peruutuspainiketta 3 sekunnin ajan.

18. Jää peruuta -ilmaisin

Jollet halua jääkaapista jäätä, tätä toimintoa ei tarvitse käyttää. Voit käyttää tätä toimintoa painamalla jää peruuta -painiketta 3 sekuntia.

19. Peruuta suodattimen vaihdon varoitus -painike

Jääkaapin suodatin pitää vaihtaa kerran puolessa vuodessa. Jääkaappi laskee tämän ajan automaattisesti ja suodattimen varoitusilmaisain syttyy, kun suodattimen käyttöaika on kulunut. Paina Peruuta suodattimen varoitus -painiketta 3 sekuntia antaaksesi jääkaapin laskea uuden suodattimen vaihtoajan automaattisesti suodattimen vaihdon jälkeen.

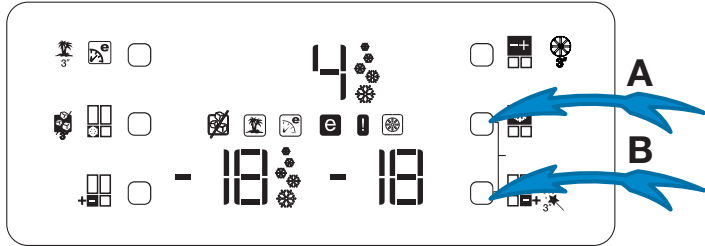
20. Peruuta suodattimen vaihdon varoitus -ilmaisain

Kun suodattimen käyttöaika on kulunut, suodattimen vaihdon varoitusilmaisain syttyy.

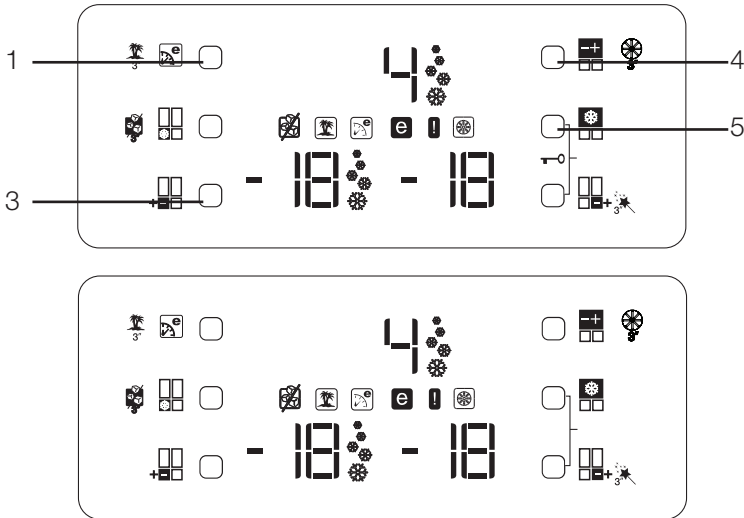
Tehtävät suodattimen käyttöajan laskemiseksi automaattisesti

(Tuotteille, jotka on liitetty vesijohtoliitäntään ja varustettu suodattimella)

1- Kun olet kytkenyt jääkaapin päälle, paina yhtä aikaa A- ja B-painiketta aktivoidaksesi avainlukituksen.



2- Paina sitten järjestyksessä Eco-Extra (1) -, Jääkaappiosaston lämpötilanasetus (4) -, Pikajäähdytys (5) - ja Pakastusosaston lämpötilanasetus (3) painiketta.



Jos painikkeita painetaan oikeassa järjestyksessä, avainsymboli sammuu, sumeriääni aktivoituu hetkeksi ja Suodattimen vaihdon varoitusilmaisimien syttyä. Paina Peruuta suodattimen varoitus -painiketta (näyttökuvausten kohde 19) suodattimen vaihtoajan laskemiseksi automaattisesti suodattimen vaihdon jälkeen.

i Jos suodattimen käyttöaika lasketaan automaattisesti, suodattimen varoitusilmaisimien syttyä muutaman sekunnin kuluttua, kun tuote on kytketty päälle.

i **Automaattinen suodattimen käyttöajan laskeminen ei ole toimitettaessa aktiivinen. Se on aktivoitava tuotteessa, joka on varustettu suodattimella.**

i **Toista samat toimenpiteet tuotteissa, joissa suodattimen käyttöajan automaattinen laskeminen on aktivoitu deaktivoidaksesi suodattimen käyttöajan laskennan.**

Kananmunalokero

Voit asentaa munakotelon haluttuun oven tai rungon hyllyyn.

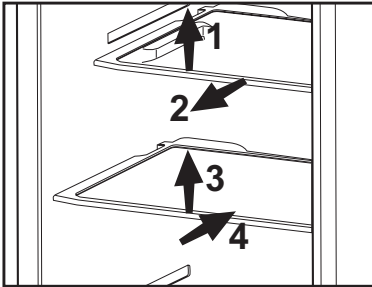
Älä koskaan säilytä munakoteloita pakastinosastossa.

Liukuvat hyllyt

Liukuvia hyllyjä voidaan vetää nostamalla niitä hieman reunasta ja siirtää niitä eteen- ja taaksepäin. Ne voidaan vetää pysäytyspisteeseen jolloin pääset käsiksi hyllyn takaosaan sijoitettuihin ruokiin. Kun hylly on vedetty kevyesti nostamalla toiseen pysäytyspisteeseen, hylly voidaan vapauttaa.

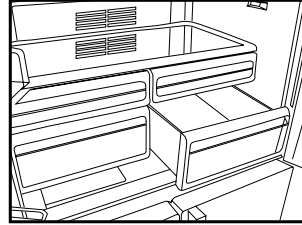
Hyllyä on kannateltava myös alapuolelta, jotta se ei kallistu nurin. Hylly siirretään jääkaapin runkoon asennetuille kiskoille nostamalla tai laskemalla sitä tason verran.

Hylly tulee työntää taakse kunnolla paikoilleen.



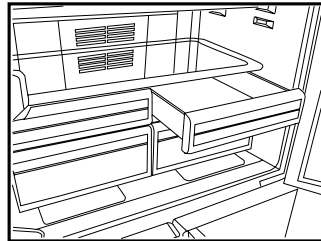
Vihanneslokero

Jääkaapin vihanneslokero on suunniteltu erityisesti pitämään kasvikset tuoreina ja säilyttämään kosteutensa. Tämän vuoksi vihanneslokerossa kiertää kylmää ilmaa. Irrota vihanneslokeron kanssa samansuuntaiset oven hyllyt ennen vihanneslokeroiden irrottamista. Voit irrottaa vihanneslokerot kuvassa esitetyllä tavalla.



Jäähdytyslokero

Pakastettava ruoka jäähtyy jäähdytyslokeroiden valmiiksi pakastusta varten. Voit käyttää näitä osastoja myös ruuan säilyttämiseen jääkaappia muutamaa astetta viileämmässä lämpötilassa. Voit lisätä jääkaapin sisätilavuutta irrottamalla minkä tahansa jäähdytyslokerosta. Tee niin vetämällä lokero itseäsi kohti. Lokero liukuu vasten pysäytintä ja pysähtyy. Irrota lokero nostamalla sitä noin 1 cm ja vetämällä itseäsi kohti.



Siirrettävä keskiosa

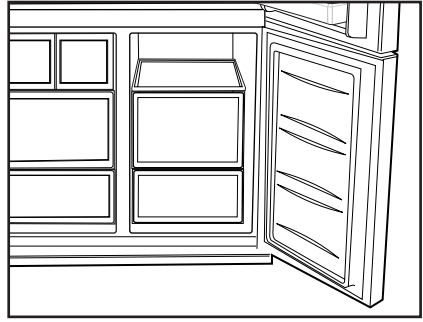
Siirrettävä keskiosa on tarkoitettu estämään jääkaapin sisällä olevan kylmän ilman karkaamista ulos.

1- Tiiviys on varmistettu, kun oven tiivisteet painautuvat siirrettävän keskiosan pinnalle, kun jääkaappiosaston ovet on suljettu.

2- Jääkaapin siirrettävän keskiosan toinen tarkoitus on lisätä jääkaappiosaston nettotilavuutta. Normaaliit keskiosat vievät jonkin verran jääkaapin käyttökelpotonta tilavuutta.

3- Siirrettävä keskiosa on suljettu, kun jääkaappiosaston vasen ovi on suljettu.

4- Se on avattava käsin. Se siirtyy rungon muovisen osan ohjaimen alle, kun ovi on suljettu.



käytön aikana voi kuulua joitakin sekunteja samanlainen ääni kuin analogisesta kellosta. Tämä on normaalia eikä ole vika.

Sininen valo

Sinisellä valolla valaistut vihanneslokeron vihannekset jatkavat fotosynteesiä sinisen valon aallonpituuden vaikutuksesta ja säilyttävät siten tuoreutensa ja lisäävät vitamiinipitoisuuttaan.

Fleksialuesäilytyslokerokero

Jääkaapin fleksialuesäilytyslokeroa voi käyttää missä tahansa halutussa tilassa säätämällä se jääkaappilämpötilaksi (2/4/6/8 °C) tai pakastinlämpötilaksi (-18/-20/-22/-24). Voit pitää lokeroa halutussa lämpötilassa fleksialuesäilytyslokeron lämpötilan asetuspainikkeella.

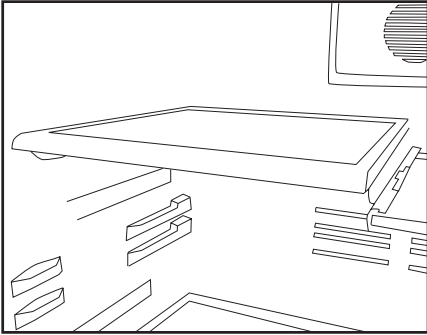
Fleksialuesäilytyslokeron lämpötilan voi asettaa välille 0–10 °C astetta jääkaappilämpötilan lisäksi -6 °C pakastinosaston lämpötilan lisäksi. 0-astetta käytetään einestuotteiden säilyttämiseksi pitempään -6-astetta käytetään lihan säilyttämiseksi 2 viikkoa helposti leikattavassa tilassa.

i Jääkaappi- tai pakastinlokeron vaihtamismekanismi toimii jäähdytyselementillä, joka sijaitsee suljetussa osastossa jääkaapin takana (kompressoriosasto). Tämän elementin



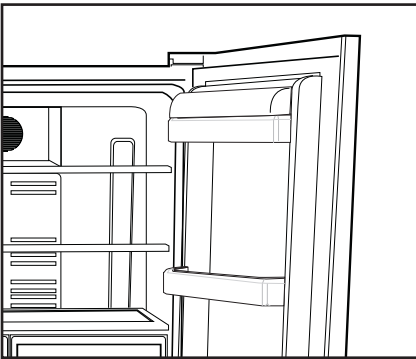
Liukuvat rungon hyllyt takaripustimilla

Liukuvia rungon hyllyjä takaripustimilla voidaan siirtää eteenpäin ja taaksepäin. Näiden hyllyjen korkeutta voi säätää irrottamalla ne ja asentamalla ne ylemmälle tai alemmalle tasolle. Irrota hylly nostamalla sitä hieman ja vetämällä itseäsi kohti.



Maitotuotesasto

Voit säilyttää elintarvikkeita kuten voita, juustoa ja levitteitä tässä valaistussa osassa.

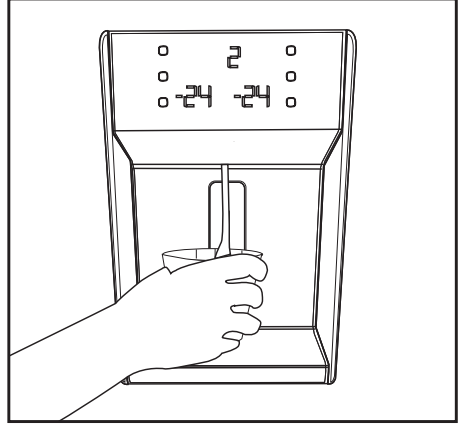


Vesilähteen käyttö

Varoitukset

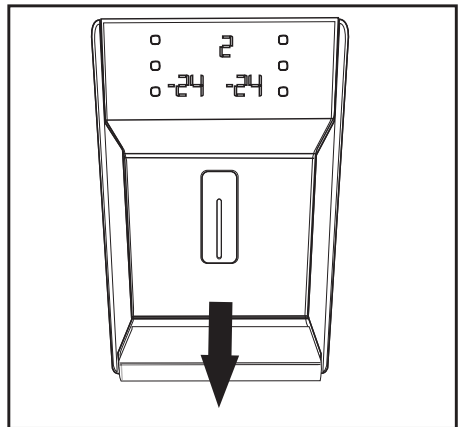
On normaalia, että muutama ensimmäinen automaattista otettu lasillinen vettä on lämmin.

Kun automaattia ei ole käytetty usein, pitää valuttaa riittävä määrä vettä, ennen kuin vesi on raikasta.



Vuotoallas

Käytön aikana tippuva vesi kertyy vuotoaltaaseen. Voit poistaa vuotoaltaan vetämällä sitä itseäsi päin tai painamalla sen reunaan (mallin mukaan). Voit poistaa veden sienellä tai pehmeällä liinalla.



Minibaari

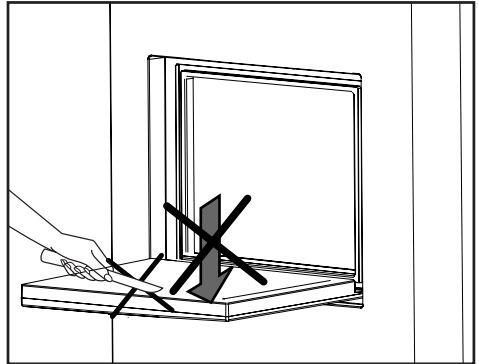
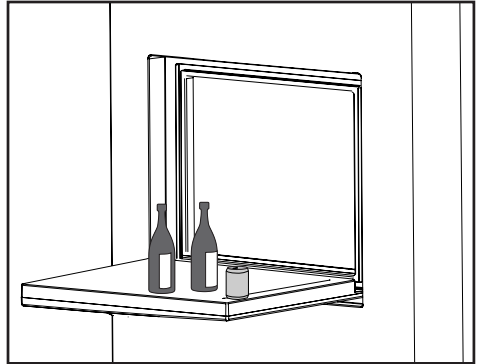
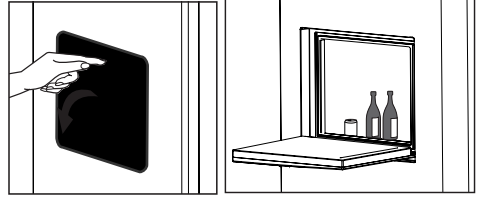
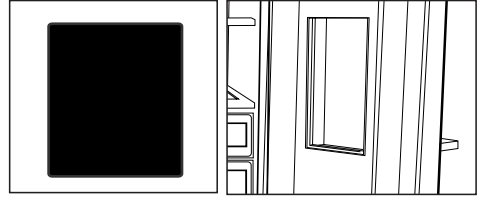
Minibaarin ovi tarjoaa sinulle lisämukavuutta jääkaapin käytössä. Jääkaapin oven hyllyyn pääsee käsiksi avaamalla jääkaapin ovea. Tämän ominaisuuden ansiosta voit ottaa jääkaapista helposti ruokia ja juomia, joita käytät säännöllisesti. Koska jääkaapin ovea ei tarvitse avata jatkuvasti, jääkaapin virrankulutus pienenee.

Voit avata minibaarin oven painamalla sitä kädelläsi ja vetämällä sen auki.

Kun minibaarin ovi on auki, voit käyttää sen ulkopintaa tasona, jolle voit laskea hetkeksi pullot ja lasit, kuten kuvassa.

⚠ Varoitus: Älä koskaan toimi niin, että oveen kohdistuu painetta, kuten istumalla sille, käyttämällä sitä kiipeämiseen tai riippumalla pöydästä äläkä aseta sille painavia esineitä. Tämä voi vahingoittaa jääkaappia tai aiheuttaa henkilövahinkoja.

⚠ Varoitus: Älä koskaan käytä minibaarin ovea leikkuualustana ja varo vahingoittamasta ovea teräväkärkisillä esineillä.



6 Puhdistus ja huolto

- ⚠ Älä koskaan käytä puhdistamiseen bensiniä, bentseeniä tai vastaavia aineita.
- ⚠ Suosittelemme, että irrotat laitteen verkkovirrasta ennen puhdistusta.
- ℹ Älä koskaan käytä puhdistamiseen teräviä, hankaavia välineitä, saippuaa, puhdistusainetta, pesuainetta ja vahaa.
- ℹ Käytä jääkaapin sisätilojen puhdistukseen haaleaa vettä ja pyyhi kuivaksi.
- ℹ Käytä sisätilojen puhdistukseen liinaa, joka on kostutettu 1 tl ruokasoodaa ja 1/2 litraa vettä sisältävässä liuoksessa ja puristettu kuivaksi, kuivaa lopuksi.
- ⚠ Varmista, ettei vettä pääse lamppukoteloon ja muihin sähkökohteisiin.
- ⚠ Mikäli jääkaappia ei käytetä pitkään aikaan, irrota virtakaapeli pistorasiasta, poista kaikki ruuat, puhdista jääkaappi ja jätä ovi raolleen.
- ℹ Tarkista oven eristeet säännöllisesti varmistaaksesi, että ne ovat puhtaita ja vapaita ruuasta.
- ⚠ Ovitelineiden irrottamiseksi poista niistä kaikki sisältö ja työnnä sitten ovitelinettä pohjasta ylöspäin.

Muoviosien suojele

- ℹ Älä laita nestemäistä öljyä tai öljyssä keitetyjä elintarvikkeita jääkaappiin avoimissa astioissa, sillä ne vahingoittavat jääkaapin muovipintoja. Jos öljyä vuotaa tai tarttuu muovipinnoille, puhdista ja huuhtele kohta heti lämpimällä vedellä.

7 Suositellut ongelmanratkaisut

Tarkista tämä luettelo, ennen kuin soitat huoltoon. Se voi säästää aikaa ja rahaa. Tämä luettelo sisältää useita valituksia, jotka eivät johdu virheellisestä työstä tai käytetyistä materiaalista. Joitain tässä kuvatuista ominaisuuksista ei ehkä ole laitteessasi.

Jääkaappi ei toimi.
<ul style="list-style-type: none">• Onko jääkaapin virtajohto kunnolla kiinni pistorasiassa? Aseta pistoke seinäpistorasiaan.• Onko jääkaapin pistorasian sulake tai pääsulake palanut? Tarkista sulake.
Kondensaatiota jääkaappiosaston sivuseinässä (MONIALUE, JÄÄHDYTYKSEN OHJAUS ja JOUSTAVA ALUE).
<ul style="list-style-type: none">• Hyvin kylmä ympäristö. Oven jatkuva avaaminen ja sulkeminen. Hyvin kostea ympäristö. Nestepitoisten ruokien säilytys avoimessa astiassa. Oven jättäminen raolleen. Termostaatin kytkeminen kylmemmälle.• Oven avoinna oloajan lyhentäminen tai käyttämällä sitä harvemmin.• Avoimissa astioissa säilytettyjen ruokien peittäminen sopivalla materiaalilla.• Pyyhi kondensoitunut vesi kuivalla liinalla ja tarkista tuleeko sitä lisää.
Kompressor ei käy
<ul style="list-style-type: none">• Kompressorin lämpövastus työntyy ulos äkillisen virtakatkoksen sattuessa tai kun virta sammuu ja syttyy uudelleen, kun jääkaapin jäähdytysjärjestelmän jäähdytysaineenpaine ei ole vielä tasapainossa. Jääkaappi käynnistyy noin 6 minuutin kuluttua. Soita huoltoon, jos jääkaappi ei käynnisty tässä ajassa.• Jääkaapin sulatusjakso on käynnissä. Tämä on normaalia täysautomaattisesti itsesulattavassa jääkaapissa. Sulatuskierto tapahtuu tietyn väliajoin.• Jääkaappia ei ole kytketty pistorasiaan. Varmista, että pistoke on asetettu kunnolla pistorasiaan.• Onko lämpötila-asetukset tehty oikein?• Kyse voi olla virtakatkoksesta.

Jääkaappi käy alituisen tai pitkän ajan.

- Uusi tuotteesi voi olla leveämpi kuin edellinen. Tämä on aivan normaalia. Suuret jääkaapit käyvät kauemmin.
- Huonelämpötila voi olla liian korkea. Tämä on aivan normaalia.
- Jääkaappi on voitu kytkeä päälle äskettäin tai siihen on säilötty äskettäin ruokaa. Jääkaapin jäähtyminen oikeaan lämpötilaan voi kestää muutaman tunnin kauemmin.
- Suuri määrä ruokaa on voitu säilöä jääkaappiin äskettäin. Lämmin ruoka aiheuttaa jääkaapin käymisen pitempään, kunnes se saavuttaa turvallisen säilytyslämpötilan.
- Ovet on voitu avata äskettäin tai jätetty raolleen pitkäksi aikaa. Jääkaappiin päässyt lämmin ilma aiheuttaa jääkaapin käymisen pidemmän aikaa. Avaa ovia harvemmin.
- Pakastin- tai jääkaappiosaston ovi on voitu jättää raolleen. Tarkista onko ovet suljettu tiukasti.
- Jääkaappi on säädetty hyvin alhaiselle lämpötilalle. Säädä jääkaapin lämpötila lämpimämmäksi ja odota, kunnes haluttu lämpötila on saavutettu.
- Jääkaapin tai pakastimen oven tiiviste voi olla likainen, kulunut, rikkoutunut tai huonosti paikallaan. Puhdista tai vaihda tiiviste. Vahingoittunut, rikkoutunut tiiviste aiheuttaa jääkaapin käymisen pidempiä aikoja nykyisen lämpötilan ylläpitämiseksi.

Pakastimen lämpötila on hyvin alhainen, kun jääkaapin lämpötila on sopiva.

- Pakastin on säädetty hyvin alhaiselle lämpötilalle. Säädä pakastimen lämpötila lämpimämmäksi ja tarkista.

Jääkaapin lämpötila on hyvin alhainen, kun pakastimen lämpötila on sopiva.

- Jääkaappi on voitu säätää hyvin alhaiselle lämpötilalle. Säädä jääkaapin lämpötila lämpimämmäksi ja tarkista.

Jääkaappiosaston vetolaatikoissa säilytetty ruoka jäätyy.

- Jääkaappi on voitu säätää hyvin alhaiselle lämpötilalle. Säädä jääkaapin lämpötila lämpimämmäksi ja tarkista.

Jääkaapin tai pakastimen lämpötila on hyvin korkea.

- Jääkaappi on voitu säätää hyvin korkealle lämpötilalle. Jääkaapin säädöt vaikuttavat pakastimen lämpötilaan. Muuta jääkaapin tai pakastimen lämpötilaa, kunnes jääkaappi tai pakastin saavuttaa riittävän tason.
- Ovet on voitu avata äskettäin tai jätetty raolleen pitkäksi aikaa. Avaa niitä harvemmin.
- Ovi on voitu jättää raolleen. Sulje ovi kokonaan.
- Suuri määrä lämmintä ruokaa on voitu säilöä jääkaappiin äskettäin. Odota, kunnes jääkaappi tai pakastin saavuttaa halutun lämpötilan.
- Jääkaapin virtajohto on voitu liittää pistorasiaan äskettäin. Jääkaapin kokonaan jäähtyminen kestää oman aikansa.

Käyntiääni voimistuu, kun jääkaappi käy.
<ul style="list-style-type: none"> Jääkaapin käyttöteho saattaa muuttua ympäristön lämpötilan muutosten mukaan. Se on normaalia eikä ole vika.
Tärinä tai käyntiääni.
<ul style="list-style-type: none"> Lattia ei ole tasainen tai se on heikko. Jääkaappi huojuu, kun sitä siirretään hitaasti. Varmista, että lattia kestää jääkaapin painon ja että se on tasainen. Melu saattaa johtua jääkaappiin laitetuista kohteista. Jääkaapin päällä olevat esineet on poistettava.
Jääkaapista kuuluu neste- ja kaasuvuotoja ilmenee jääkaapin käyttöperiaatteiden mukaisesti. Se on normaalia eikä ole vika.
Neste- ja kaasuvuotoja ilmenee jääkaapin käyttöperiaatteiden mukaisesti. Se on normaalia eikä ole vika.
Kuuluu tuulen huminan kaltaista ääntä.
<ul style="list-style-type: none"> Jääkaapin jäähdyttämiseen käytetään tuulettimia. Se on normaalia eikä ole vika.
Kondensaatio jääkaapin sisäseinissä.
<ul style="list-style-type: none"> Kuuma ja kostea sää lisää jäätymistä ja kondensaatiota. Se on normaalia eikä ole vika. Ovet on voitu jättää raolleen. Varmista, että ovet on suljettu kokonaan. Ovet on voitu avata äskettäin tai jätetty raolleen pitkäksi aikaa. Avaa niitä harvemmin.
Kosteutta esiintyy jääkaapin ulkopinnoilla tai ovien välissä.
<ul style="list-style-type: none"> Ilma saattaa olla kosteaa. Tämä on normaalia kostealla säällä. Kun kosteutta on vähemmän, kondensaatio häviää.
Paha haju jääkaapin sisällä.
<ul style="list-style-type: none"> Jääkaapin sisäpuoli on puhdistettava. Puhdista jääkaapin sisäpuoli sienellä, haalealla vedellä tai hiilihapollisella vedellä. Jotkut astiat tai pakkausmateriaalit voivat olla hajun aiheuttajia. Käytä erilaista säilytysastiaa tai erimerkkistä pakkausmateriaalia.
Ovi ei sulkeudu.
<ul style="list-style-type: none"> Elintarvikepakkaukset voivat estää oven sulkeutumisen. Poista pakkaukset, jotka ovat oven esteenä. Jääkaappi ei ole täysin suorassa lattialla ja se keinuu vähän liikuttaessa. Säädä nostoruuveja. Lattia ei ole tasainen tai kestävä. Varmista, että lattia on tasainen, ja että se kestää jääkaapin painon.
Lokerot ovat juuttuneet.
<ul style="list-style-type: none"> Elintarvikkeita voi olla kosketuksissa lokeron kattoon. Järjestä ruoat uudelleen vetolaatikossa.

Läs den här bruksanvisningen först!

Kära kund!

Vi hoppas att produkten, som har producerats på en modern anläggning och genomgått de allra noggrannaste kvalitetsprocesser, kommer att erbjuda effektiv service.

Vi rekommenderar därför att du läser igenom hela bruksanvisningen noggrant innan du använder den och att du förvarar den nära till hands för framtida referens.




Den här bruksanvisningen

- Hjälper dig använda enheten på ett snabbt och säkert sätt.
- Läs bruksanvisningen innan du installerar och använder produkten.
- Följ instruktionerna, speciellt säkerhetsanvisningarna.
- Förvara bruksanvisningen på en lättåtkomlig plats där du kan hämta den senare.
- Läs även övriga dokument som tillhandahålls tillsammans med produkten.

Observera att den här bruksanvisningen även kan gälla för andra modeller.

Symboler och beskrivningar för dem

Den här bruksanvisningen innehåller följande symboler:

-  Viktig information eller användbara tips.
-  Varning för risker för liv och egendom.
-  Varning för elektrisk spänning.



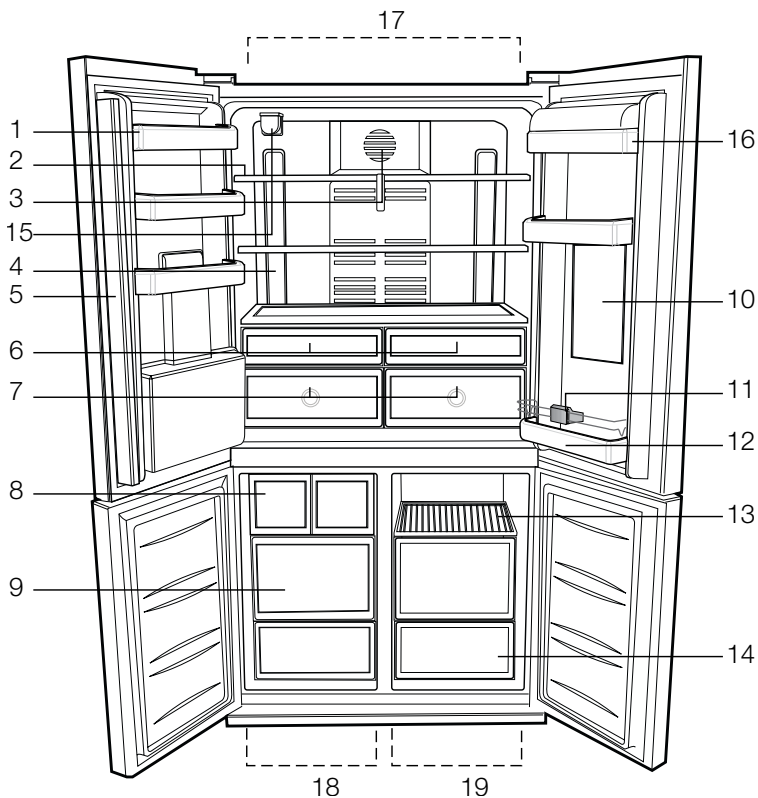
Den här produkten är försedd med symbolen för källsortering av elektriskt och elektroniskt material (WEEE).

Detta innebär att produkten måste hanteras i enlighet med EU-direktivet 2002/96/EC för att återvinnas eller återanvändas och därmed minimera påverkan på miljön. För ytterligare information, kontakta din lokala kommun.

Elektroniska produkter som inte inkluderas i källsortering är potentiellt farliga för miljön och den personliga hälsan, på grund av farliga substanser.

1 Kylskåpet	3	4 Förberedelse	16
2 Viktiga säkerhetsvarningar	4	5 Använda kylskåpet	17
Avsedd användning	4	Indikatorpanel.....	17
För produkter med vattenbehållare; ...	6	Saker att göra för att filteranvändningstiden ska beräknas automatiskt	21
Barnsäkerhet	6	Skjutbara hyllor	22
HCA-Varning	6	Ägghållare	22
Saker att göra för att spara energi	6	Grönsakslåda	22
3 Installation	7	Kylfack	22
Saker att tänka på vid transport av kylskåpet	7	Flexizonförvaringsfack.....	23
Innan du använder kylskåpet	7	Flyttbar mittsektion	23
Elektrisk anslutning	8	Blå lampa	23
Avyttring av förpackningen.....	8	Skjutbara hyllor med bakre hängare.	24
Avyttring av ditt gamla kylskåp.....	8	Ost- och smörhylla	24
Placering och installation	8	Använda vattenfjäder.....	24
Golvbalansjustering	9	Spillbehållare	24
Justera öppningen vid den övre dörren	9	Minibar	25
Installera vattenfilter	11	6 Rengöring och vård	26
Anslutning av vattenrör till kylskåpet.	11	Skydd av plastytor	26
Anslutning av vattenslang till vattentillbringare	12	7 Rekommenderade lösningar på problem	27
Anslutning av vattenröret till kallvattenkranen	13		
Före första användningen av vattenbehållaren	15		

1 Kylskåpet



- 1- Dörrhyllor för kylfack
- 2- Glashyllora för kylfack
- 3- Dimmerskydd
- 4- Belysningslins
- 5- Flyttbar mittsektion
- 6- Kylfack
- 7- Grönsakslåda
- 8- Ismaskin
- 9- Förvaringsfack för fryst mat

- 10- Minibar
- 11- Flaskhållare
- 12- Flaskställ
- 13- Förvaringshyllor
- 14- Förvaringsfack
- 15- Vattenfilter
- 16- Ost- och smörhylla
- 17- Kylfack
- 18- Frysack
- 19- Flexizon

! Bilder som förekommer i den här bruksanvisningen är exempel och överensstämmer inte exakt med din produkt. Om delar inte medföljer produkten du har köpt så gäller det för andra modeller.

2 Viktiga säkerhetsvarningar

Läs följande information. Om du underlåter att följa den här informationen kan det orsaka person- och materialskador. Annars blir alla garanti- och tillförlitlighetsåtaganden ogiltiga. Användningstidsavgränsningen för enheten är 10 år. Det här är den period som reservdelarna krävs för att enheten ska hålla.

Avsedd användning

Den här produkten är avsedd för följande användning

- inomhus och i stängda rum, exempelvis i hemmet;
- i stängda miljöer, såsom butiker och kontor;
- i stängda inkvarteringsområden, såsom bondgårdar, hotell, pensionat.
- Denna produkt ska inte användas utomhus.

Allmän säkerhet

- När du vill avyttra produkten rekommenderar vi att du rådgör med auktoriserad kundtjänst för att få den information som krävs, samt auktoriserade organ.
- Rådfråga auktoriserad service när det gäller alla frågor och problem som är relaterade till kylskåpet. Modifiera inte kylskåpet utan att meddela auktoriserad kundtjänst.
- För produkter med frysfack; Ät inte glass och iskuber direkt efter att du har tagit ut dem ur frysfacket! (Det kan leda till köldskador i munnen.)
- För produkter med frysfack; Placera inte flaskprodukter och konserverade drycker i frysfacket. De kan explodera.

- Rör inte vid fryst mat med händerna; det kan fastna.
- Koppla ur kylskåpet före rengöring och avfrostning.
- Lättflyktiga material skall aldrig användas vid avfrostning av kylskåpet. Det kan leda till att ångan kommer i kontakt med elektriska delar och orsaka kortslutning eller elektriska stötar.
- Använd aldrig delar på din produkt såsom en dörr som stöd eller trappsteg.
- Använd inte elektriska enheter inne i kylskåpet.
- Skada inte delarna med borr eller vassa verktyg, när kylskåpet cirkulerar. Kylmedlet som kan läcka ut om rör eller ytor punkteras kan orsaka hudirritation och ögonskador.
- Täck inte över eller blockera ventilationshålen på kylskåpet med något material.
- Elektriska enheter måste repareras av behöriga fackmän. Reparationer som utförs av personer utan rätt kunskap kan orsaka risk för användaren.
- Vid eventuella fel eller felfunktion under service eller reparationsarbete, skall du koppla ur strömkällan till kylskåpet genom att antingen vrida ur motsvarande säkring eller dra ur sladden.
- Drag inte i kabeln – drag i kontakten.
- Placera drycker i kylskåpet ordentligt stängda och upprätt.
- Förvara aldrig spraymedel som innehåller antändbara och explosiva ämnen i kylskåpet.

- Använd inte mekaniska enheter eller andra sätt för att påskynda avfrostningsprocessen, förutom det som rekommenderas av tillverkaren.
- Den här produkten är inte avsedd att användas av personer med nedsatt fysisk, psykisk eller mental förmåga eller oerfarna personer (inklusive barn) om de inte övervakas av en person som ansvarar för deras säkerhet eller instruerar dem i användningen av produkter
- Använd inte ett skadat kylskåp. Kontakta serviceombudet om du har några frågor.
- Elsäkerheten för kylskåpet garanteras endast om jordningssystemet i huset uppfyller de krav som gäller.
- Det är farligt att utsätta produkten för regn, snö, sol och vind med tanke på elsäkerheten.
- Kontakta auktoriserad service om strömkabeln skadas för att undvika fara.
- Koppla aldrig in kylskåpet i vägguttaget under installationen. Det ökar risken för allvarlig skada eller dödsfall.
- Det här kylskåpet är endast avsett för förvaring av livsmedel. Det får inte användas för något annat ändamål.
- Etiketten med tekniska specifikationer sitter på vänster insida i kylskåpet.
- Koppla aldrig in kylskåpet till energibesparande system; de kan skada kylskåpet.
- Om det finns en blå lampa på kylskåpet ska du inte titta in i den blå lampan med optiska verktyg.
- För manuellt kontrollerade kylskåp, vänta i minst 5 minuter för att starta kylskåpet efter strömvabrottet.
- Den här bruksanvisningen ska lämnas till den nya ägaren av produkten när den lämnas till andra.
- Undvik att orsaka skada på strömkabeln vid transport av kylskåpet. Om du böjer kabeln kan det orsaka brand. Placera aldrig tunga föremål på strömkabeln. Rör inte vid kontakten med våta händer när du kopplar in produkten.
- Anslut inte kylskåpet till ett eluttag som sitter löst.
- Vatten får av säkerhetsskäl inte sprayas direkt på de inre eller yttre delarna av produkten.
- Spraya inte ämnen som innehåller antändbara gaser, såsom propangas, nära kylskåpet för att undvika brand och explosionsrisk.
- Placera aldrig behållare som är fyllda med vatten på kylskåpet, eftersom det kan orsaka elektrisk kortslutning eller brand.
- Överbelasta inte kylskåpet med för stora mängder mat. Om det överbelastas kan mat falla ned och skada dig och kylskåpet när du öppnar dörren. Placera aldrig föremål på kylskåpet; annars kan de falla ned när du öppnar eller stänger kylskåpsdörren.
- Produkter som behöver en exakt temperaturkontroll (vaccin, värmekänslig medicin, vetenskapliga material etc.) får inte förvaras i kylan.
- Om kylskåpet inte används under en längre tid ska det kopplas från strömkällan. Ett möjligt problem i strömkabeln kan orsaka brand.
- Kontaktens stift ska rengöras regelbundet; annars kan det leda till brandrisk.
- Kylskåpet kan flytta på sig om de justerbara benen inte sitter fast ordentligt i golvet. Om du förankrar de justerbara benen ordentligt i golvet kan det förhindra att kylskåpet flyttar på sig.

- När du bär på kylskåpet ska du inte hålla i dörrhandtaget. Annars kan det släppa.
- Om du har placerat produkten intill ett annat kylskåp eller en frys ska avståndet mellan enheterna vara minst 8 cm. Annars kan de angränsande väggarna blir fuktiga.

För produkter med vattenbehållare;

Vattentrycket ska vara minst 1 bar.

Vattentrycket ska vara max 8 bar.

- Använd bara drickbart vatten.

Barnsäkerhet

- Om dörren har ett lås ska nyckeln hållas borta från barn.
- Barn ska övervakas för att hindra att de pillar på produkten.

HCA-Varning

Om produktens kylsystem innehåller R600a:

Den här gasen är lättantändlig. Var därför noggrann så att du inte skadar kylsystemet och rören under användning och transport. Om det skulle uppstå någon skada skall produkten hållas borta från potentiella eldkällor som kan göra att produkten fattar eld och du ska ventilera rummet där enheten är placerad.

Du kan bortse från den här varningen om produktens kylsystem innehåller R134a.

Typen av gas som används i produkten anges på märkplåten som sitter på kylskåpets vänstra insida.

Kasta aldrig produkten i eld när den ska kasseras.

Saker att göra för att spara energi

- Låt inte dörrarna till kylskåpet stå öppna under en längre tid.
- Placera inte varm mat eller varma drycker i kylskåpet.
- Överbelasta inte kylskåpet så att luftcirkulationen invändigt hindras.
- Installera inte kylskåpet i direkt solljus eller nära värmeavsöndrande enheter såsom ugn, diskmaskin eller element.
- Observera att mat ska förvaras i tillslutna behållare.
- För produkter med frysack; Du kan lagra maximal mängd mat i frysen när du tar bort hyllan eller lådan till frysen. Energiförbrukningen som anges på kylskåpet har fastställts genom att ta bort fryshyllan eller lådan och ha maximal belastning. Det finns ingen risk i att använda en hylla eller låda enligt formerna och storlekarna på maten som ska frysas.
- Upptining av fryst mat i kylfacket sparar både energi och håller matens kvalitet.

3 Installation

- i** Kom ihåg att tillverkaren inte skall hållas ansvarig om användaren underlåter att observera något i den här bruksanvisningen.

Saker att tänka på vid transport av kylskåpet

1. Kylskåpet måste vara tomt och rent före transport.
2. Hyllor, tillbehör, grönsakslåda etc. i kylskåpet måste spännas fast ordentligt med självhäftande tejp före ompaketering.
3. Förpackningen måste fästas ihop med tjock tejp och starka rep och de transportregler som anges på förpackningen måste följas.

i Glöm aldrig...

Varje återvunnet material är en ovärderlig källa för naturen och för våra nationella resurser.

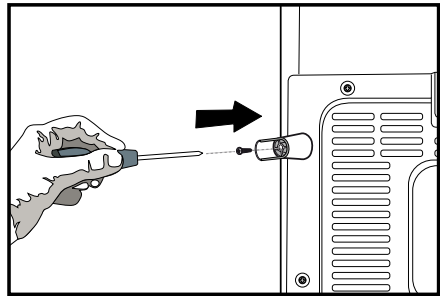
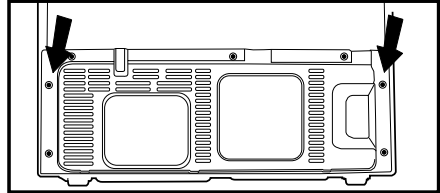
Om du vill bidra till återvinningen av förpackningsmaterial kan du hämta ytterligare information från våra miljöorgan eller lokala myndigheter.

Innan du använder kylskåpet

Kontrollera följande innan du startar kylskåpet:

1. Är kylskåpets insida torr och kan luften cirkulera fritt bakom det?
2. För in 2 plastklämmor på den bakre ventilationsluckan så som visas på följande bild. För att göra detta tar du bort skruvarna på produkten och använder skruvarna som finns i samma ficka.

Plastklämmorna ger rätt avstånd mellan kylskåpet och väggen för att tillåta luften att cirkulera.



3. Rengör kylskåpets insida enligt rekommendationerna i avsnittet "Underhåll och rengöring".
4. Koppla in kylskåpet i vägguttaget. När dörren öppnas kommer den invändiga belysningen att tändas.
5. Du kommer att höra ett bullrande ljud när kompressorn startar. Vätska och gas inne i produkten kan också ge upphov till ljud, även om kompressorn inte körs och detta är helt normalt.
6. De främre kanterna på kylskåpet kan kännas varma. Detta är normalt. De här områdena är utformade för att bli varma och därmed undvika kondens.

Elektrisk anslutning

Anslut kylskåpet till ett jordat uttag som skyddas av en säkring med lämplig kapacitet.

Viktigt:

- ⚠ Anslutningen måste ske i enlighet med nationell lagstiftning.
- ⚠ Strömkabelns kontakt måste vara lätt att komma åt efter installationen.
- ⚠ Spänning och tillåtet säkringskydd anges i avsnittet "Tekniska specifikationer".
- ⚠ Den angivna spänningen måste överensstämma med strömkällans spänning.
- ⚠ Förlängningskablar och grenkontakter får inte användas för anslutningen.
- ⚠ En skadad strömkabel måste bytas av en behörig elektriker.
- ⚠ Produkten får inte användas innan den reparerats! Det finns risk för kortslutning!

Avyttring av förpackningen

- ⚠ Förpackningsmaterial kan vara farligt för barn. Förvara förpackningsmaterialen utom räckhåll för barn eller avyttra dem i enlighet med gällande regler. Avyttra dem inte med hushållsavfallet.

Förpackningsmaterialet för ditt kylskåp produceras av återvinningsbara material.

Avyttring av ditt gamla kylskåp

Avyttra din gamla enhet utan att skada miljön.

- ⚠ Du kan kontakta en auktoriserad återförsäljare eller ett återvinningscenter angående avyttring av ditt kylskåp.

- ⚠ Innan du avyttrar kylskåpet ska du dra ur strömkontakten och, om det finns några lås på dörren, göra den obrukbar för att förhindra att barn skadar sig.

Placering och installation

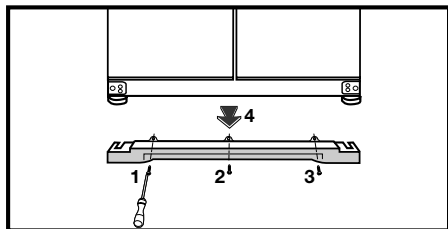
- ⚠ Observera: Koppla aldrig in kylskåpet i vägguttaget under installationen. Det ökar risken för allvarlig skada eller dödsfall.

- ⚠ Om entrén till rummet där kylskåpet skall installeras är inte bred nog för att kylskåpet skall kunna passera skall du ringa till auktoriserad fackman så att de avlägsnar dörrarna på kylskåpet och tar in det i sidled genom dörren.

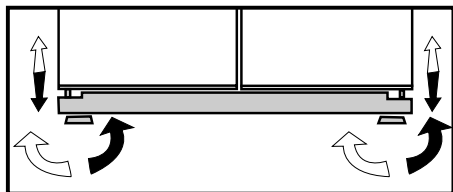
1. Installera kylskåpet på en plats där det är lättåtkomligt.
2. Håll kylskåpet borta från värmekällor, fuktiga platser och direkt solljus.
3. Det måste finnas tillräcklig ventilation runt kylskåpet för att uppnå effektiv användning. Om kylskåpet placeras i en hålighet i väggen måste det vara ett avstånd på minst 5 cm till taket och 5 cm till väggen. Om golvet täcks med en matta måste produkten ha ett mellanrum på 2,5 cm till golvet
4. Placera kylskåpet på en jämn och plan golvyta för att förhindra lutningar.
5. Låt inte kylskåpet stå i en omgivande temperatur som understiger 10°C.

Golvbalansjustering

- ⚠ Om kylskåpet är obalanserat;
- ⚠ Koppla först ur produkten. Produkten måste vara urkopplad när du gör balansinställningen. Det finns risk för kortslutning!



1. Ventilationsskyddet tas bort genom att skruva bort skruvarna, så som visas i bilden, innan du går vidare. Du kan balansera kylskåpet genom att vrida de främre benen såsom illustreras på bilden. Hörnet där benen finns sänks när du vrider i den svarta pilens riktning och höjs när du vrider i motsatt riktning. Det är lämpligt att be om hjälp när du gör detta för att göra det enklare.

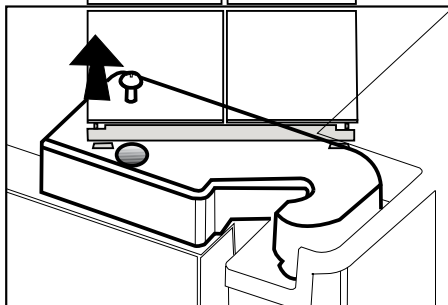


2. När balansproblemet är åtgärdat monterar du tillbaka ventilationsskyddet och fäster skruvarna.

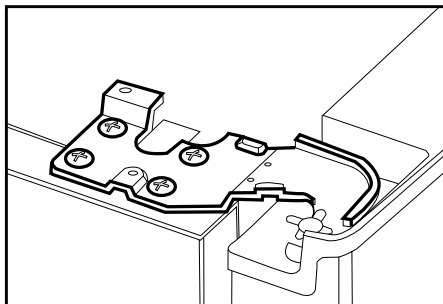
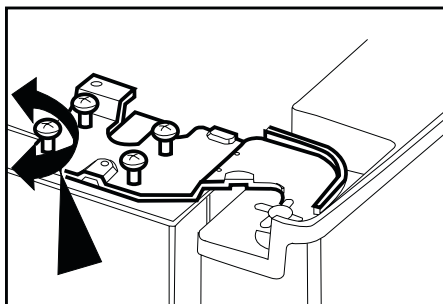
3. Avlägsna de skruvar som fäster det nedre ventilationsskyddet med en Philips skruvmejsel.

Justera öppningen vid den övre dörren

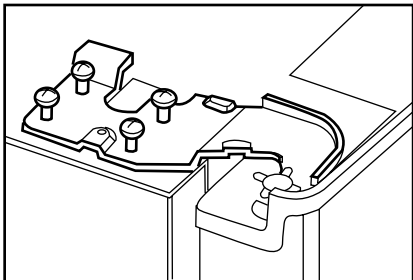
- ⓘ Du kan justera öppningen mellan dörarna på kylfacket så som visas på bilderna. Dörrhyllorna skall vara tomma när du justerar dörrhöjden ←



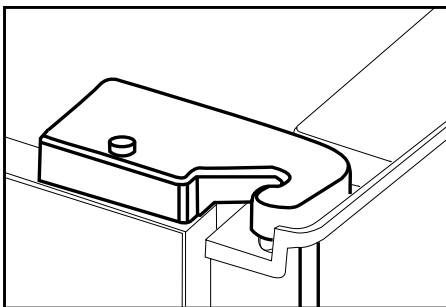
- ⓘ Använd en skruvmejsel för att avlägsna det övre gångjärnsskyddet på dörren du vill justera.



i Justera dörren efter önskemål genom att lossa på skruvarna.



i Fäst dörren du har justerat genom att dra åt skruvarna utan att ändra dörrens placering.



i Byt gångjärnsskydd och fäst med skruven.

Installera vattenfilter

(på vissa modeller)

Två olika vattenkällor kan kopplas ihop med kylskåpet för vattentillförsel. kallvattenkranen och vattentillbringare.

Installationskrav

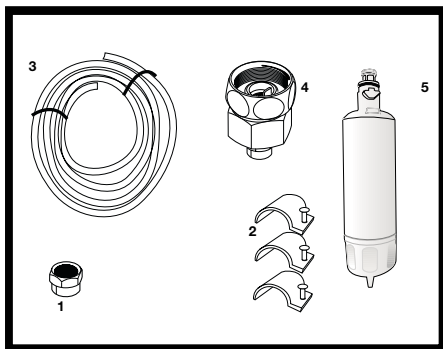
En pump ska användas för vattentillbringaranvändning.

Kontrollera att delarna som visas nedan medföljer enheten.

1. Används för anslutning av vattenröret till enhetens baksida. (Om den inte passar kan du köpa en hos närmaste auktoriserade service.)
2. 2 rörlips (vid behov för att säkra vattenröret)

Obs! Eftersom följande delar inte krävs vid användning med vattentillbringare kan de inte återfinnas i produkten vid köptillfället.

3. 5 meter långt vattenrör (1/4 tum i diameter)
4. Kallvattenventil med nätfilter (kranadapter)
5. Vattenfilter som monteras i fästets insida i kylfacket.



Platsen där det externa filtret ska monteras måste först avgöras. (Gäller för filter som används utanför kylskåpet). Avgör sedan avståndet mellan filter och kylskåp och slanglängder från filter till kylskåpets vatteninlopp.

Vattenfiltret måste vara upprätt så som visas på bilden. Det är viktigt att montera filtret rätt i vatteninloppet och vattenutloppet.

Efter att du har monterat filtret ska du inte använda de första 3-4 glasen vatten.

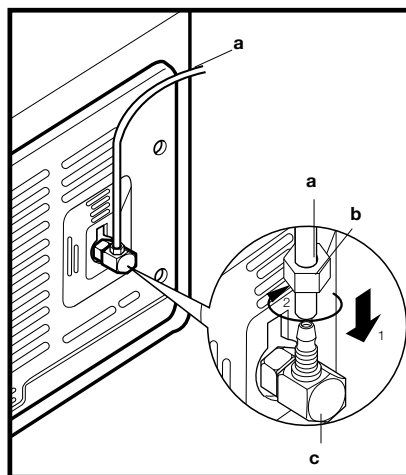
Anslutning av vattenrör till kylskåpet

1. Efter att hopkopplingen har installerats i vattenröret ska du föra in vattenröret i kylskåpets inloppsventil genom att trycka kraftigt nedåt.

2. Fixera hopkopplingen så som visas i motsatt bild, genom att dra åt för hand i kylskåpets inloppsventil.

(a- Vattenrör, b-hopkoppling, c-ventil)

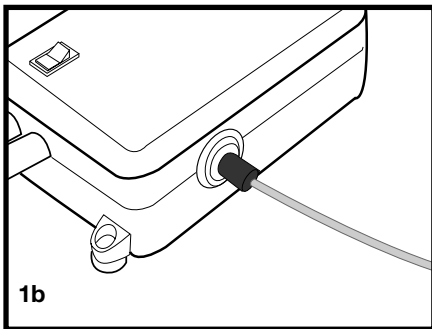
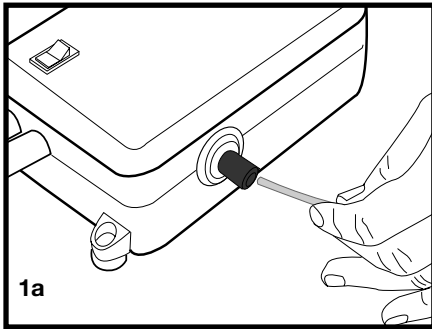
i Obs 1! Du ska inte dra åt hopkopplingen med ett verktyg för att montaget ska sitta hårt. Vid en eventuell läcka ska du använda skiftnyckel eller tång för att dra åt hopkopplingen.



Anslutning av vattenslang till vattentillbringare (på vissa modeller)

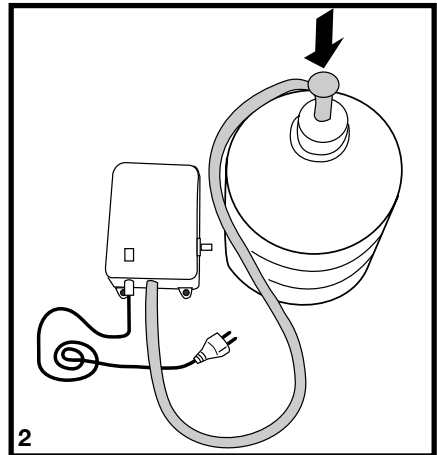
Om du ska ansluta vattnet till kylan från en vattentillbringare krävs en pump. Följ instruktionerna nedan efter anslutning av ena änden av vattenröret som kommer ut ut pumpen till kylan enligt vad som beskrivs på föregående sida.

1. Slutför anslutningen genom att trycka andra änden av vattenröret in i vatteninloppsroret på pumpen så som visas på bilden.



2. Sätt ihop pumpslangen och vattentillbringaren så som visas på bilden.
 3. Efter att du har slutfört anslutningen kopplar du in och kör pumpen.
- För att erbjuda effektiv pumpanvändning ska du vänta 2-3 minuter efter att du har startat pumpen.

- i** Du kan se bruksanvisningen för pumpen när du gör vattenanslutningen.
- i** Du behöver inte använda vattenfiltret om en vattentillbringare används.
- i** Pumpen måste användas när vattentillbringaren används.



Anslutning av vattenröret till kallvattenkranen (på vissa modeller)

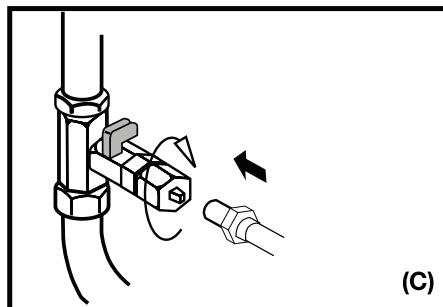
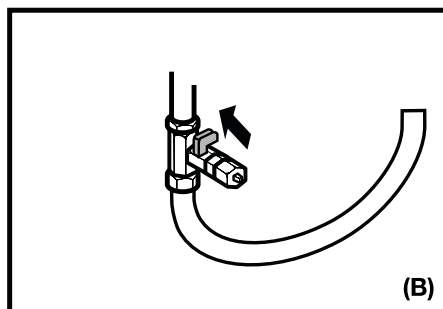
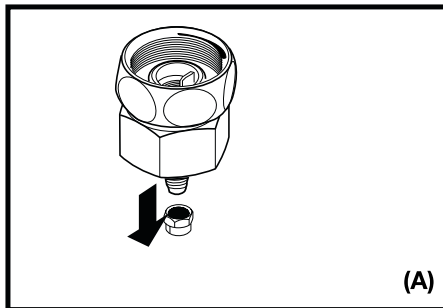
Om du vill använda kylen genom att ansluta den till kallvattenkranen, ska du ansluta en standardventil på 1/2" till kallvattenkranen i ditt hus. Om den här ventilen inte finns eller om du inte är säker, ska du kontakta en rörmokare.

1. Dela på hopkopplingen som sitter fast i kranadaptorn. (Fig. A).
2. Installera kranadaptorn till 1/2" ventilmonteringen så som visas på bilden. (Fig. B).
3. Efter att du har satt i vattenröret i hopkopplingen installerar du kranadaptorn och för in kranen så som visas på bilden. (Fig. C).
4. Dra åt hopkopplingen manuellt. Vid en eventuell läcka ska du använda skiftnyckel eller tång för att dra åt hopkopplingen.

⚠ Observera: Säkra vattenrören i lämpliga punkter med hjälp av rörklips som medföljer för att undvika skador och oavsiktlig frångkoppling av anslutningen.

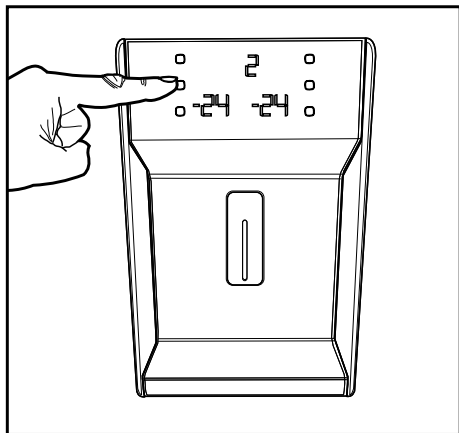
⚠ Observera: Efter att du har slagit på vattenventilen ska du se till att det inte förekommer några läckage i båda anslutningspunkterna på vattenröret. Vid en eventuell läcka ska du omedelbart stänga ventilen och dra åt alla fogar igen med en skiftnyckel eller en tång.

⚠ Observera: Se till att ha en standardventil på 1/2" monterad med kallvattenkranen tillgänglig och helt frånslagen.

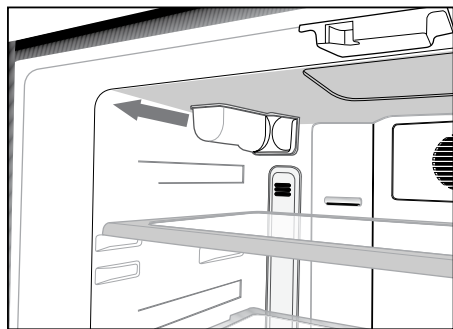


För att passa ihop vattenfiltret följer du instruktionerna nedan genom att se de bilder som visas:

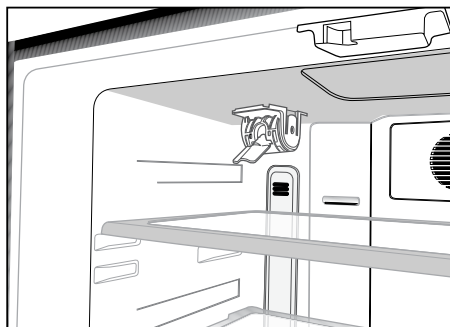
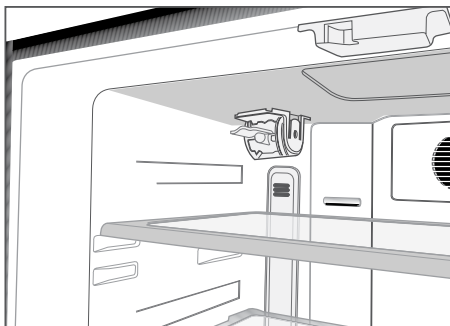
1. Tryck på knappen för isavbrott på displayen.



2. Avlägsna filterskyddet i kylfacket genom att dra det framåt.



3. Ta ut vattenfiltrets skydd genom att rotera det nedåt.



⚠ Observera: Se till att läget för "Is av" är aktivt innan du tar ut skyddet.
Obs! Det är normalt att det faller några vattendroppar efter att skyddet har tagits ut.

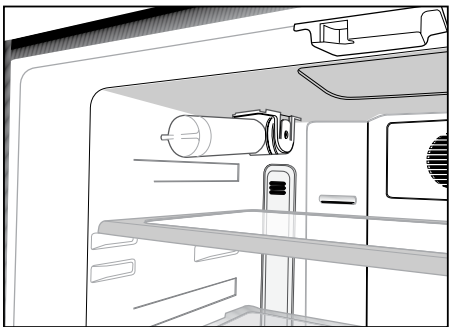
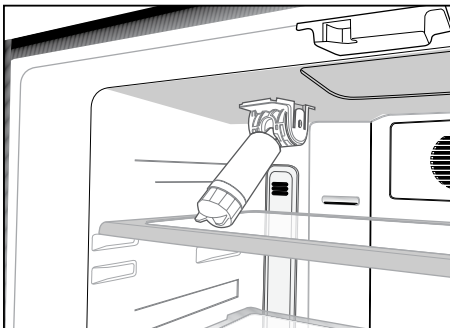
4. Ta bort locket på vattenfiltrets ovansida för att placera det så som visas på bilden och vrid uppåt för att låsa det.
5. Tryck på knappen för isavbrott på displayen igen för att stänga det här läget.

Vattenfiltret ska bytas var 6:e månad. Om du vill beräkna bytesintervallet för filter automatiskt och få en varning i slutet av användningstiden ska du läsa avsnittet "Beräkna filteranvändningstid automatiskt".

Vattenfiltret ska tas bort så som visas på bilden när det ska bytas eller när det inte längre ska användas och by-pass-skyddet måste sättas fast. Det är viktigt att se till att låget Is av är aktivt innan du tar ut det.

⚠ Observera: Vattenfiltret filtrerar bort vissa främmande partiklar i vattnet. Det renar inte vattnet från mikroorganismer.

⚠ Observera: Knappen Is av måste alltid tryckas ned under byte av vattenfilter eller installation av by-pass-skyddet.



Före första användningen av vattenbehållaren

i Vattnets huvudtryck får inte ligga under 1 bar.

i Vattnets huvudtryck får inte ligga över 8 bar.

i Pumpar får inte användas om vattentrycket faller under 1 bar eller om en vattentillbringare ska användas.

i Vattensystemet för kylskåpet måste anslutas till kallvattenkranen. Den får inte anslutas till varmvattenkranen.

i Inget vatten får samlas i första starten av kylskåpet. Det här orsakas av luft i systemet. För att släppa ut luft ur systemet ska du trycka på låsvredet i perioder på 1 minut tills vattnet kommer ut ur behållaren. Vattenflödet kan vara oregelbundet i början. Oregelbundet vattenflöde normaliseras efter att luften i systemet laddas ur.

i Vid första starten av kylskåpet måste det gå omkring 12 timmar innan kallvattnet kan erhållas.

i Vattentrycket måste ligga mellan 1 och 8 bar för att användningen av is-/vattenbehållaren ska bli smidig. Kontrollera att 1 glas vatten (100 cc) kan fyllas i på 10 sekunder.

i De första 10 glasen vatten ska inte drickas.

i Omkring de första 30 iskuberna som fås från isbehållaren får inte användas.

i Använd alltid vattenfiltret när en vattentillbringare inte används.

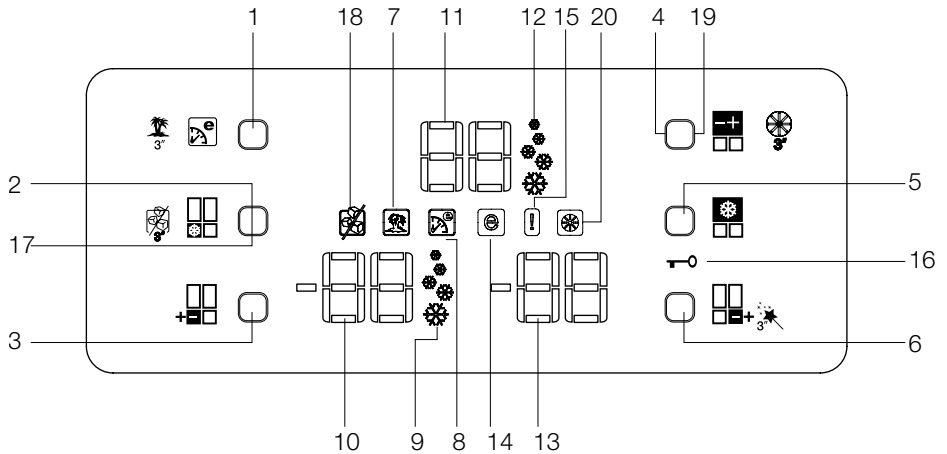
4 Förberedelse

- i** Kylskåpet skall installeras minst 30 cm från värmekällor, såsom spis, ugn och centralvärme och minst 5 cm från elektriska ugnar och får inte placeras i direkt solljus.
- i** Den omgivande temperaturen i rummet där du installerar kylskåpet skall vara minst 10°C. Användning i kallare miljöer rekommenderas inte och kan minska effektiviteten.
- i** Se till att kylskåpet är ordentligt rengjort invändigt.
- i** Om två kylskåp skall installeras intill varandra skall det vara ett avstånd på minst 2 cm mellan dem.
- i** Vid användning av kylskåpet för första gången skall du observera följande anvisningar under de första sex timmarna.
 - Dörren får inte öppnas för ofta.
 - Det måste köras tomt utan mat.
 - Dra inte ur sladden till kylskåpet. Om det inträffar ett strömavbrott som ligger utanför din kontroll, se varningarna i avsnittet "Rekommenderade lösningar på problem".
- i** Originalförpackning och skumplastmaterial skall sparas för framtida transport.

5 Använda kylskåpet

Indikatorpanel

Med den pekstyrd indikatorpanelen kan du ställa in temperaturen utan att öppna kylskåpsdörr. Peka bara på önskad knapp med fingret för att ställa in temperaturen.



- | | |
|---|--|
| 1. Eko-extra/Semester-knapp | 10. Indikator för frysfackstemperatur |
| 2. Snabbfrysningknapp | 11. Indikator för kylfackstemperatur |
| 3. Inställningsknapp för frysfackstemperatur | 12. Indikator för snabbkylningsfunktion |
| 4. Inställningsknapp för kylfackstemperatur | 13. Flexizonförvaringsfack - Temperaturindikator |
| 5. Snabbkylningknapp | 14. Indikator för ekonomiläge |
| 6. Flexizonförvaringsfack - Temperaturställningsknapp | 15. Indikator för felstatus |
| 7. Indikator för semesterfunktion | 16. Indikator för knapplås |
| 8. Indikator för Eko-extrafunktion | 17. Isavbrottsknapp |
| 9. Indikator för snabbfrysningfunktion | 18. Isavbrottsindikator |
| | 19. Varningsknapp för filterbyte |
| | 20. Varningsindikator för filterbyte |

1. Eko-extra/Semester-knapp

Tryck snabbt på knappen för att aktivera funktionen Eko-extra. Håll in knappen i 3 sekunder för att aktivera semesterfunktionen. Tryck på knappen igen för att avaktivera den valda funktionen.

2. Snabbfrysingsknapp

Tryck snabbt på knappen för att aktivera funktionen Snabbfrysning. Tryck på knappen igen för att avaktivera den valda funktionen.

3. Inställningsknapp för frysfackstemperatur

Tryck på den här knappen för att ställa in temperaturen för frysfacket till -18, -20, -22, -24 respektive -18. Tryck på den här knappen för att ställa in önskad temperatur för frysfacket.

4. Inställningsknapp för kylfackstemperatur

Tryck på den här knappen för att ställa in temperaturen för kylfacket till 8, 6, 4, 2 respektive 8. Tryck på den här knappen för att ställa in önskad temperatur för kylfacket.

5. Snabbkylningsknapp

Tryck snabbt på knappen för att aktivera funktionen Snabbkylning. Tryck på knappen igen för att avaktivera den valda funktionen.

6. Flexizonförvaringsfack - Temperaturinställningsknapp

Du kan ställa in Flexizonförvaringsfacket antingen som ett frysfack eller ett kylfack. Håll in knappen en stund (3 sekunder) för att ställa in Flexizonförvaringsfacket antingen som frysfack eller kylfack. Som fabriksstandard är facket inställt som frysfack.

Om Flexizonförvaringsfacket är inställt som frysfack kommer temperaturen på facket att ändras till -18, -20, -22, -24 respektive -18... varje gång du trycker på den här knappen. Om Flexizonförvaringsfacket är inställt som kylfack kommer temperaturen på facket att ändras till 10, 8, 6, 4, 2, 0 respektive -6... varje gång du trycker på den här knappen.

7. Indikator för semesterfunktion

Anger om semesterfunktion är aktiverad. Om den här funktionen är aktiv visar indikatorn på kylfacket "- -" och kylfacket kyls inte. Övriga fack kyls i enlighet med den temperatur som är inställd för dem.

Tryck på relevant knapp igen för att avaktivera den valda funktionen.

8. Indikator för Eko-extrafunktion

Anger om Eko-extrafunktion är aktiverad. När den här funktionen är aktiverad kommer kylskåpet att automatiskt hitta de perioder när enheten används minst och kyla mer energisnålt under de tiderna. Ekonomiindikatorn är aktiv under energisnål kylning.

Tryck på relevant knapp igen för att avaktivera den valda funktionen.

9. Indikator för snabbfrysning

Alternativet indikerar att snabbfrysningfunktionen är aktiverad. Använd den här funktionen när du placerar färsk mat i frysfacket eller när du behöver is. När den här funktionen är aktiv kommer kylskåpet att köras en viss tid utan stopp.

Tryck på relevant knapp igen för att avaktivera den valda funktionen.

10. Indikator för frysfackstemperatur

Indikerar temperaturen för frysfacket.

11. Indikator för kylfackstemperatur

Indikerar temperaturen för kylfacket.

12. Indikator för snabbkylning

Anger om snabbkylningfunktionen är aktiverad. Använd den här funktionen när du placerar färsk mat i kylfacket eller när du snabbt vill kyla mat. När den här funktionen är aktiv kommer kylskåpet att köras i 2 timmar utan stopp.

Tryck på relevant knapp igen för att avaktivera den valda funktionen.

13. Flexizonförvaringsfack - Temperaturindikator

Indikerar den temperatur som är inställd för Flexizonförvaringsfacket.

14. Indikator för ekonomiläge

Indikerar att kylskåpet körs i energisnålt läge. Temperatur i frysfacket. Denna indikator kommer att vara aktiv om funktionen är inställd på -18 eller om energisnål kylning utförs av Eko-extrafunktionen.

15. Indikator för felstatus

Om kylskåpet inte kyler på rätt sätt eller om det uppstår ett sensorfel aktiveras denna indikator. När indikatorn är aktiv visar temperaturindikatorn för frysfacket "E" och temperaturindikatorn för kylfacket visar siffror som "1,2,3...". Siffrorna på indikatorn är information om vilket typ av fel det är, för servicepersonalen.

16. Indikator för knapplås

Använd den här funktionen om du inte vill ändra temperaturinställningarna. Tryck på Snabbkylningsknappen och inställningsknappen för Flexizonfackstemperatur samtidigt en stund (3 sekunder) för att aktivera den här funktionen.

Tryck på relevanta knappar igen för att avaktivera den valda funktionen.

17. Isavbrottsknapp

För att stoppa isbildning trycker du på knappen Is-av på ismaskinen i 3 sekunder. När iskanalen är vald skickas inget vatten till isboxen. Trots detta kan det finnas is kvar i isboxen som kan tas ut därifrån. För att starta om isbildning trycker du på knappen Is-Av på ismaskinen i 3 sekunder.

18. Isavbrottsindikator

Om du inte vill ta is från kylskåpet behöver du använda den här funktionen. Du kan använda den här funktionen genom att trycka på Is-Av-knappen i 3 sekunder på ismaskinen.

19. Varningsknapp för filterbyte

Filtret till kylskåpet måste bytas var 6:e månad. Ditt kylskåp beräknar den här tiden automatiskt och varningsindikatorn för filterbyte tänds när filteranvändningstiden har förflutit. Tryck på knappen för att avbryta filterbyte i 3 sekunder för att göra det möjligt för kylskåpet att beräkna den nya filtertiden automatiskt efter att du har bytt filtret.

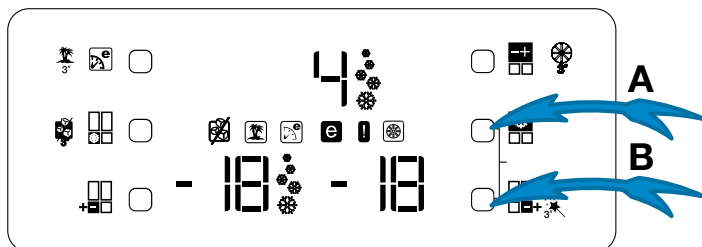
20. Varningsindikator för att avbryta filterbyte

När filteranvändningstiden har förflutit börjar varningsindikatorn för filterbyte att lysa.

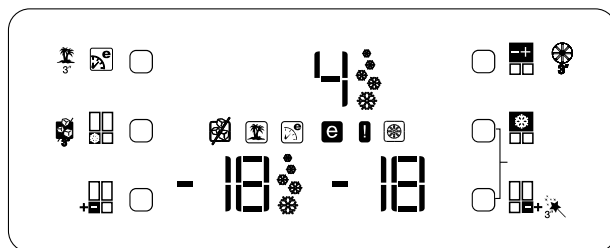
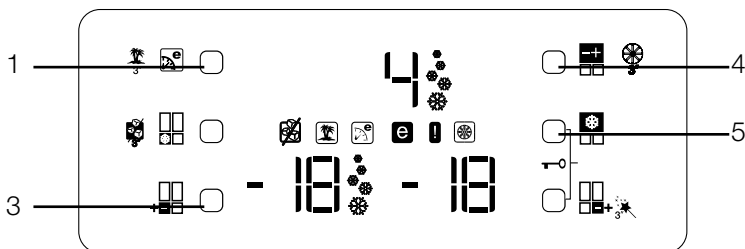
Saker att göra för att filteranvändningstiden ska beräknas automatiskt

(För produkter som är anslutna till vatten och utrustas med filter)

1- Efter inkoppling av kylskåpet trycker du på knapparna A och B tillsammans för att aktivera knapplåset.



2- Tryck sedan på Eko-Extra (1), Temperaturinställningsknapp för kylfack (4), Snabbkylning (5) och Temperaturinställningsknapp för frysack (3) samtidigt.



Om knappkonfigurationen trycks in i rätt ordning slocknar knapplåssymbolen, signalen aktiveras snabbt och varningsindikatorn för filterbyte tänds. Tryck på återställningsknappen för filterstatus (alternativ 21 i visningsbeskrivningen) efter att du har bytt filtret för att se till att beräkna filteranvändningstiden automatiskt.

❗ Om filteranvändningstiden beräknas automatiskt tänds varningsindikatorn för filterbyte några sekunder efter att produkten har kopplats in.

❗ **Automatisk filteranvändningstidsberäkning är inte aktiv med fabriksinställningar. Den måste aktiveras på produkter som är utrustade med ett filter.**

❗ **Upprepa samma process på produkter vars automatiskt filteranvändningstidsberäkning är aktiverad för att avaktivera tidsberäkningen för filteranvändning.**

Ägghållare

Du kan installera ägghållaren på önskad dörr eller hylla.

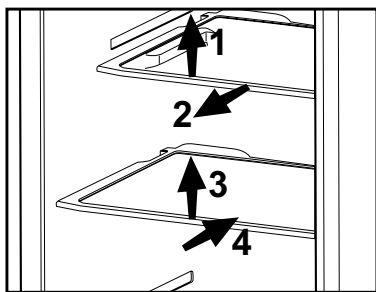
Lagra aldrig ägghållare i frysacket.

Skjutbara hyllor

De skjutbara hyllorna kan dras genom att lyfta i dem framtill och flytta den fram och tillbaka. När du drar dem framåt kommer de till en stoppunkt för att du ska kunna komma åt mat som är placerad bakom hyllan; när de dras lite uppåt kommer de till en andra stoppunkt, där hyllan kan lyftas ut.

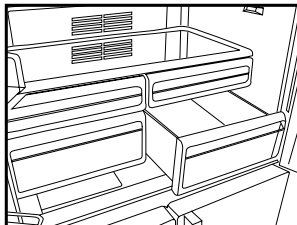
Hyllan ska hållas tätt mot botten, för att förhindra att den välter. Hyllan är placerad på sidoskenorna på kylskåpet på en nedre och en övre nivå.

Enhetshyllan kan tryckas bakåt för att fastna helt.



Grönsakslåda

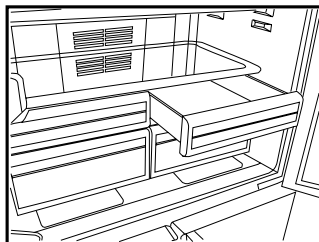
Grönsakslådan i kylskåpet är utformad för att speciellt förvara grönsakerna färska utan att de ska tappa fukt. Av den anledningen cirkulerar kall luft runt grönsakslådan. Ta bort dörrhyllorna som ligger i linje med grönsakslådan innan du tar bort grönsakslådorna. Du kan ta bort grönsakslådorna enligt illustrationen.



Kylfack

Kylfacket förbereder mat som ska frysas. Du kan även använda dessa fack för att förvara mat i en temperatur som ligger några grader under kylskåpet.

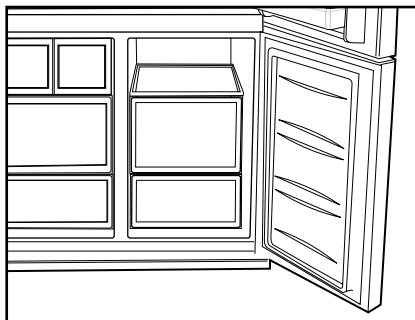
Du kan öka den inre volymen på kylskåpet genom att ta bort några av kylfacken. För att göra detta drar du facket mot dig, facket lutar sig mot en stoppare och stannar. Facket tas ut genom att du lyfter det ungefär 1 cm och drar det mot dig.



Flyttbar mittsektion

Den roterande mittsektionen är avsedd att förhindra att kall luft i kylskåpet smiter ut.

- 1- Tätning finns när dörrarna trycks in mot den förflyttningsbara mittsektionen när kylskåpsdörrarna stängs.
- 2- En annan anledning till att kylskåpet är utrustat med en roterande mittsektion är för att öka nettovolymen på kylfacket. Vanliga mittsektioner ger ofta en viss volym som inte används.
- 3- Den flyttbara mittsektionen är stängd när vänstra dörren på kylfacket är låst.
- 4- Den måste öppnas för hand. Den rör sig efter platsdelarna på huvudenheten när dörren är stängd.



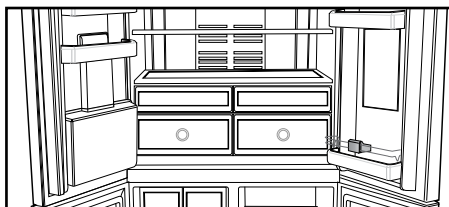
i Funktionen för att växla till kyl- eller frysack erbjuds via kylelementet som finns placerat i den stängda sektionen (kompressorfacket) bakom kylskåpet. Under användning av det här elementet hörs ett liknande ljud som från en analog klocka. Detta är normalt och inte något fel.

Flexizonförvaringsfack

Kylskåpets flexizonfack kan användas i önskat läge genom att justera temperaturerna för kyl (2/4/6/8 °C) eller frys (-18/-20/-22/-24). Du kan ställa in önskad temperatur för facket med temperaturinställningsknappen. Temperaturen för kylfacket kan ställas in mellan 0 och 10 grader för kylfacket och ned till -6 grader för frysacket. 0 grader används vid längre förvaring av mat och charkuteri, och -6 grader används för att förvara köttvaror upp till 2 veckor så att det är smidigt att skära.

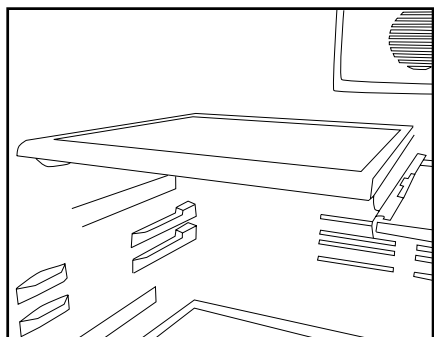
Blå lampa

Mat som lagras i grönsakslådan belyses med en blå lampa för att bevara färskheten och öka vitamininnehållet.



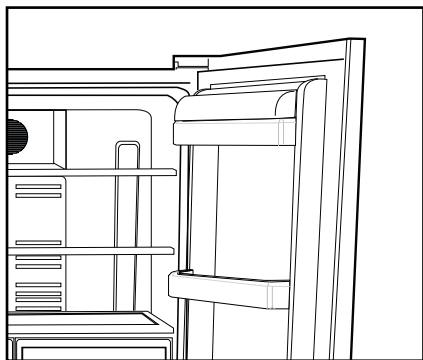
Skjutbara hyllor med bakre hängare

De skjutbara hyllorna med bakre hängare kan flyttas bakåt och framåt. Höjden på hyllorna kan ställas in genom att ta bort och sedan installera dem i övre eller nedre position. Res upp hyllan något och dra mot dig själv för att ta bort den.



Ost- och smörhylla

Du kan förvara livsmedel, såsom smör, ost och margarin i den här delen, som har lock.

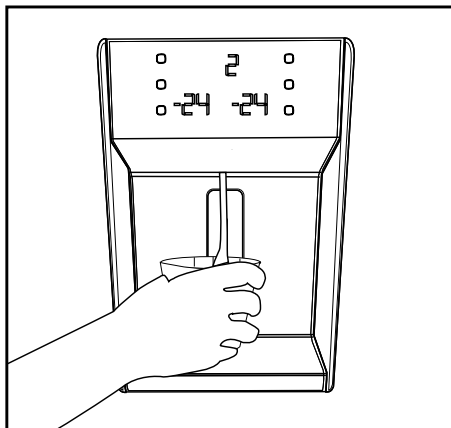


Använda vattenfjäder

Varning!

Det är normalt att vattnet i de första glasen från pumpen är varmt.

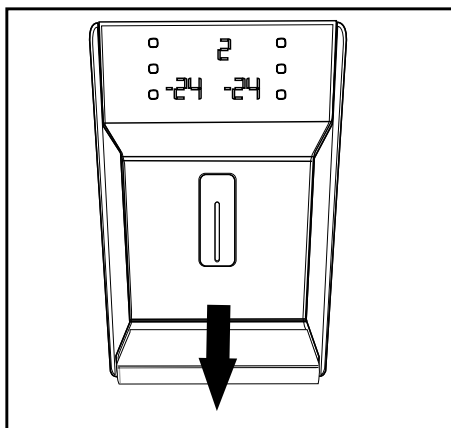
Om vattenpumpen inte har använts på ett tag måste en viss mängd vatten tömmas från pumpen för att få färskt vatten.



Spillbehållare

Vattendroppar som droppar under användning samlas upp i spillbehållaren.

Du avlägsnar spillbehållaren genom att dra den mot dig eller genom att trycka på dess kanter (beroende på modell). Du kan ta bort vatten med en svamp eller mjuk trasa.



Minibar

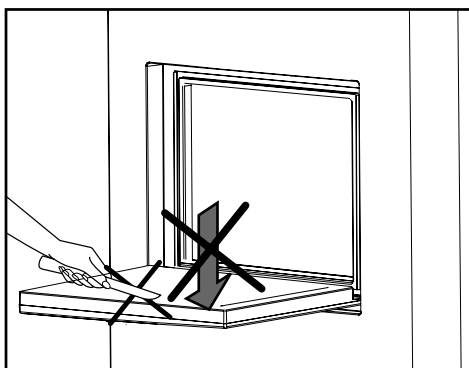
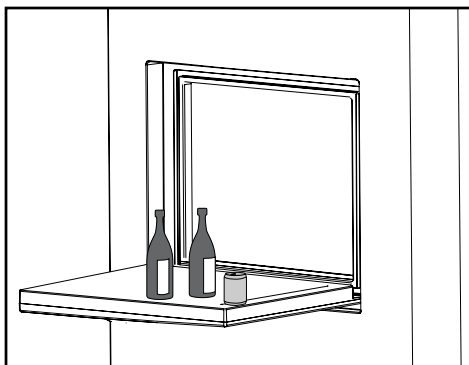
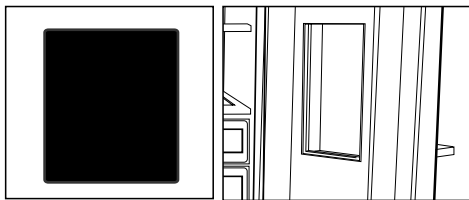
Dörren till minibaren ger dig extra komfort när du använder kylskåpet. Dörrhyllan i kylskåpet går att komma åt utan att öppna kylskåpsdörren; tack vare den här funktionen kan du enkelt plocka fram mat och drycker ur kylskåpet som du ofta konsumerar. Eftersom du inte behöver öppna kylskåpsdörren ofta minskar dess strömförbrukning.

För att öppna dörren till minibaren trycker du för hand på minibaren och drar bakåt.

När dörren till minibaren är öppen kan du använda dörrrens insida som bord där du kan lägga flaskor och glas en kort stund, så som visas på bilden.

⚠ Observera: Lägg aldrig saker på luckan som kan belasta den, klättra eller hänga inte mot bordet och lägga inga tunga föremål där. Detta kan orsaka skada på kylskåpet eller personskada.

⚠ Observera: Skär aldrig något på minibarsdörren och var försiktig så att dörren inte skadas av vassa föremål.



6 Rengöring och vård

- ⚠ Använd aldrig bensen, bensen eller liknande ämnen för rengöring.
- ⚠ Vi rekommenderar att du kopplar ur utrustningen före rengöring.
- ℹ Använd aldrig vassa instrument eller slipande medel, tvål, rengöringsmedel, tvättmedel eller polish för rengöring.
- ℹ Använd ljummet vatten för rengöring av enhetens skåp och torka det torrt.
- ℹ Använd en fuktig trasa urvriden i en lösning av en tesked bikarbonatsoda till en halv liter vatten, torka ur interiören och torka sedan torrt.
- ⚠ Se till att inget vatten tränger in i lampkåpan och i andra elektriska tillbehör.
- ⚠ Om enheten inte kommer att användas under en längre tid, stäng då av den, plocka ur all mat, rengör den och lämna dörren på glänt.
- ℹ Kontrollera dörrtätningen regelbundet så att den är ren och fri från matrester.
- ⚠ För att ta bort ett dörrfack tar du först ur allt innehåll och trycker sedan enkelt upp det från sitt fäste.

Skydd av plastytor

- ℹ Förvara inte rinnande olja eller mat som har tillagats i olja utan att vara tillslutna i kylskåpet, eftersom det kan skada kylskåpets plastytor. Om du spiller olja på plasten, rengör och skölj ytan direkt med varmvatten.

7 Rekommenderade lösningar på problem

Titta igenom listan innan du tillkallar service. Det kan spara både tid och pengar. Den här listan inkluderar vanliga klagomål som inte uppstår till följd av defekter i tillverkningen eller materialanvändningen. Vissa av funktionerna som beskrivs här kanske inte finns på din produkt.

Kylen fungerar inte
<ul style="list-style-type: none">• Är kylskåpet korrekt inkopplat? Sätt i vägguttaget.• Har säkringen som är ansluten till kylskåpet gått? Kontrollera säkringen.
Kondens på kylskåpets sidoväggar (MULTIZON, KYLKONTROLL och FLEXIZON).
<ul style="list-style-type: none">• Mycket kalla omgivande förhållanden. Dörren öppnas och stängs ofta. Hög luftfuktighet i den omgivande luften. Lagring av mat med vätska i öppna behållare. Dörren har lämnats öppen. Vrid termostaten till ett kallare läge.• Minska tiden som dörren lämnas öppen eller öppna inte så ofta.• Täck över mat som lagras i öppna behållare med ett lämpligt material.• Torka av kondens med en torr trasa och kontrollera om den kvarstår.
Kompressorn går inte
<ul style="list-style-type: none">• Det termiska skyddet i kompressorn kommer att lösas ut vid plötsliga strömavbrott då kylskåpets tryck i kylsystemet inte har balanserats. Ditt kylskåp startar efter omkring 6 minuter. Tillkalla service om kylskåpet inte startar i slutet av den här perioden.• Frysen är i avfrostningsläge. Det här är normalt för en helautomatiskt avfrostande kyl. Avfrostningscykeln inträffar regelbundet.• Kylskåpet är inte inkopplat i strömkällan. Kontrollera att kontakten sitter ordentligt i uttaget.• Är temperaturinställningen korrekt?• Strömmen kan kapas.

Kylskåpet körs ofta eller under en längre tid.

- Din nya produkt kan vara bredare än det gamla. Detta är helt normalt. Stora kylskåp arbetar under en längre tidsperiod.
- Den omgivande rumstemperaturen kan vara hög. Detta är helt normalt.
- Kylskåpet kan ha varit inkopplat nyligen eller ha fyllts på med mat. Det kan ta flera timmar innan kylskåpet har kylts ned helt.
- Stora mängder mat kanske har placerats i kylskåpet nyligen. Varm mat gör att kylskåpet arbetar längre för att uppnå önskad temperatur.
- Dörren kanske har öppnats ofta eller lämnats öppen under en längre tid. Den varma luften som har kommit in i kylskåpet gör att kylskåpet arbetar under längre perioder. Öppna inte dörrarna så ofta.
- Frysens eller kylfackets dörr kanske har lämnats öppen. Kontrollera om dörren är ordentligt stängd.
- Kylskåpet är inställt på en mycket kall nivå. Justera kylskåpstemperaturen till en högre nivå tills temperaturen är enligt önskemål.
- Dörrens tätning på kyl eller frys kan vara sliten, smutsig eller trasig. Rengör eller byt tätningen. Skadade tätningar kan göra att kylskåpet körs under en längre tid för att bibehålla den aktuella temperaturen.

Frystemperaturen är mycket låg när kyltemperaturen är normal.

- Frysens temperatur är inställd på en mycket kall nivå. Justera frystemperaturen till en högre nivå och kontrollera.

Kyltemperaturen är mycket låg när frystemperaturen är normal.

- Kylens temperatur kanske är inställd på en mycket låg temperatur. Justera kyltemperaturen till en högre nivå.

Mat som förvaras i kylskåpsfacken fryser.

- Kylens temperatur kanske är inställd på en mycket låg temperatur. Justera kyltemperaturen till en högre nivå.

Temperaturen i kylan eller frysen är mycket hög.

- Kylens temperatur kanske är inställd på en mycket hög temperatur. Kylinställningen påverkar frysens temperatur. Sänk temperaturen för kyl eller frys tills den ligger på acceptabel nivå.
- Dörren kanske har öppnats ofta eller lämnats öppen under en längre tid.
- Kylskåpsdörren kan ha lämnats öppen; stäng dörren direkt.
- Stora mängder mat kanske har placerats i kylskåpet nyligen. Vänta tills kylan eller frysen uppnår önskad temperatur.
- Kylskåpet kanske nyligen har kopplats in. Nedkylningen kan ta tid.

Kylskåpet dånar när det går.

- Egenskaperna hos kylskåpet kan ändras enligt den omgivande temperaturen. Detta är normalt och inte något fel.

Vibrationer eller felbalans.
<ul style="list-style-type: none"> • Golvet är ojämnt eller svagt. Kylskåpet skakar när det rör sig långsamt. Säkerställ att golvet är rakt, kraftigt och att det klarar tyngden från kylskåpet. • Ljudet kan orsakas av saker som ligger ovanpå kylan. Föremål på kylskåpet ska tas bort.
Det förekommer ljud från kylskåpet som låter som dropp eller sprutning.
<ul style="list-style-type: none"> • Vätske- och gasflöden sker i enlighet med användningsprinciperna för ditt kylskåp. Detta är normalt och inte något fel.
Det förekommer ljud som låter som vind.
<ul style="list-style-type: none"> • Fläktar används för att kyla ned kylskåpet. Detta är normalt och inte något fel.
Kondens på innerväggarna i kylskåpet.
<ul style="list-style-type: none"> • Varmt och fuktigt väder ökar isbildning och kondens. Detta är normalt och inte något fel. • Dörrarna kan ha lämnats öppna; se till att stänga dörrarna ordentligt. • Dörren kanske har öppnats ofta eller lämnats öppen under en längre tid.
Fukt bildas på kylskåpets utsida eller mellan dörrarna.
<ul style="list-style-type: none"> • Det kan finnas fukt i luften; detta är normalt vid fuktig väderlek. När fuktnivån är lägre försvinner kondensen.
Dålig lukt inne i kylan.
<ul style="list-style-type: none"> • Kylskåpets insida måste rengöras. Rengör kylskåpets insida med en svamp och varmt vatten. • Vissa behållare eller förpackningsmaterial kan orsaka lukt. Använd en annan behållare eller olika förpackningsmaterial.
Dörren stängs inte.
<ul style="list-style-type: none"> • Matpaket kan vara i vägen. Byt ut förpackningarna som ligger ivägen för dörren. • Kylskåpet står inte helt rakt på golvet och svajar lätt när det förflyttas. Justera lyftskruvarna. • Golvet är inte helt plant eller tillräckligt starkt. Säkerställ att golvet är rakt, kraftigt och att det klarar tyngden från kylskåpet.
Grönsaker fastnar.
<ul style="list-style-type: none"> • Maten kanske vidrör taket i lådan. Sortera om maten i facket.

48 7713 0004/AE

EN-DE-FR -RU-EL-BG-DA-PT-FA-FIN-SV